

PARTS LIST

BRUSHCUTTERS

BT250

NOTE :

1. Use KOMATSU ZENOAH genuine parts specified in the parts list for repair and/or replacement.
2. KOMATSU ZENOAH does not warrant the machines, those which have been damaged by the use of any parts other than those specified by the company.
3. When placing orders of parts for repair and/or replacement, check if the model name and the serial number are suitable to those specified in the parts list, then use parts number described in the parts list.
4. The contents described in the parts list may change due to improvement.
5. The parts for the machine shall be supplied within ten (10) years after the machine is discontinued.
[It is possible that some specific parts may be subject to change of their delivery term and list price within the limit of ten (10) years after the machine is discontinued. And it is also possible that some parts may be available even after the limit of ten (10) years.]

APPLICABLE SERIAL NUMBERS:

October 2005

DRIVE UNIT 51100101 and up

Fig.1 CUTTER GROUP

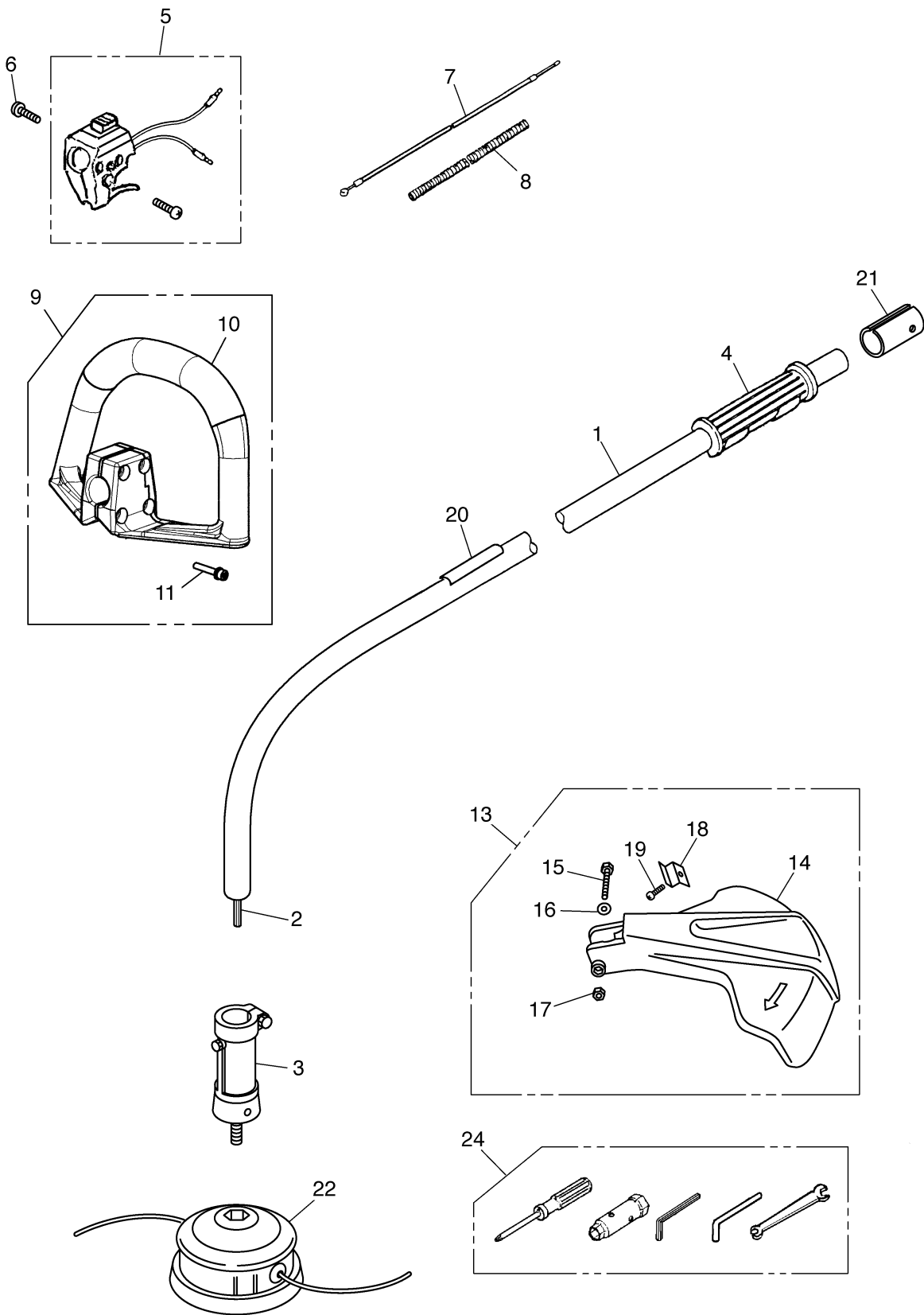


Fig.1 CUTTER GROUP

Key#	PART NUMBER	DESCRIPTION	Q'TY /UNIT	NOTE	Key#	PART NUMBER	DESCRIPTION	Q'TY /UNIT	NOTE
1	848J205820	PIPE COMP.	1						
2	848J2058E0	DRIVE SHAFT	1						
3	848J206100	CASE ASSY	1						
4	848J2032H0	GRIP	1						
5	8488RB0180	LEVER ASSY	1						
6	8488RA0180	SCREW	1						
7	1855-82100	CABLE ASSY	1						
8	848J2032Z0	TUBE	1						
9	848J213200	HANDLE ASSY	1						
10	848J2132A0	• HANDLE	1						
11	0263-90530	• SCREW	4						
13	848J206600	GUARD ASSY	1						
14	848J2066A0	• GUARD	1						
15	848J2066X0	• BOLT	1						
16	848J2066Z0	• WASHER	1						
17	848J2066Y0	• NUT	1						
18	848J2066B0	• BLADE	1						
19	848J2066W0	• SCREW	1						
20	848J2390R0	PLATE, name	1						
21	848J2058Z0	SPACER	1						
22	848JT66910	TAP HEAD	1						
24	8488U00150	TOOL SET	1						

Fig.2 ENGINE GROUP

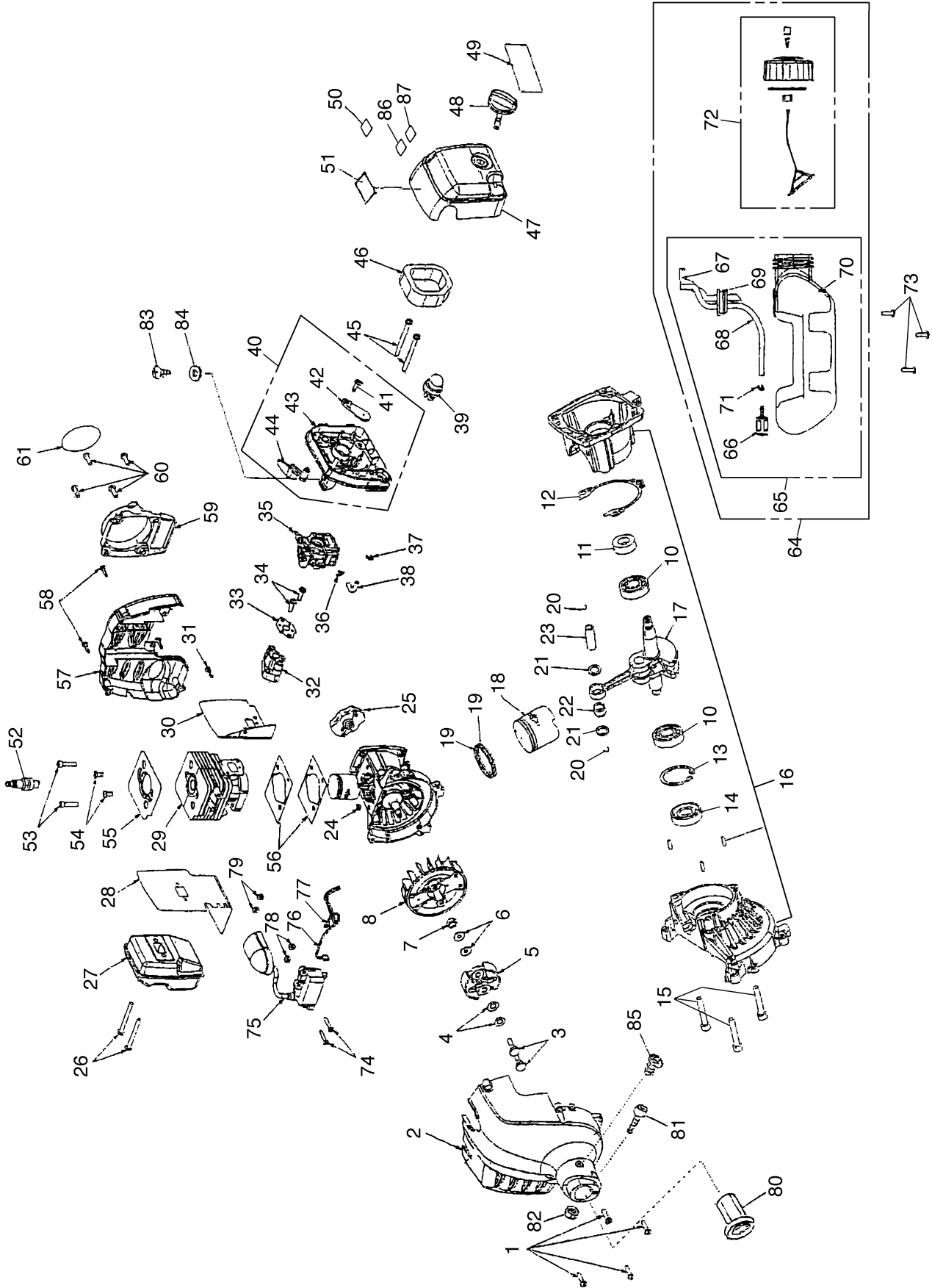


Fig.2 ENGINE GROUP

Key#	PART NUMBER	DESCRIPTION	Q'TY /UNIT	NOTE	Key#	PART NUMBER	DESCRIPTION	Q'TY /UNIT	NOTE
1	TT6634401	SCREW	4		51	TT9506011	DECAL(caution)	1	
2	TT3075406	FRONT HOUSING	1		52	TT8714402	SPARK PLUG	1	
3	TT6635301	SCREW CLUTCH	2		53	TT6634201	CAP SCREW	2	
4	TT6969601	WASHER CURVED	2		54	TT6635102	SCREW TORX	2	
5	TT3075603	CLUTCH ASSY	1		55	TT6300221	PLATE FIN	1	
6	TT6969501	WASHER PLAIN	2		56	TT9070901	GASKET CYLINDER	2	
7	TT6968901	NUT	1		57	TT5947001	REAR HOUSING	1	
8	TT6457402	ROTOR	1		58	TT6656301	SCREW TORX	3	
					59	TT3075304	RECOIL ASSY	1	
10	TT6968501	BEARING	2		60	TT6635101	SCREW TORX	4	
11	TT5987501	SEAL	1		61	TT9506403	DECAL STARTER	1	
12	TT9071301	GASKET CASE	1						
13	TT6968401	RING	1		64	TT3075804	TANK&CAP ASSY	1	
14	TT5687401	SEAL	1		65	TT3075705	• TANK ASSY	1	
15	TT6634801	SCREW	3		66	TT3075904	•• FILTER	1	
16	TT3075003	CRANKCASE ASSY	1		67	TT5688006	•• PIPE RETURN	1	
17	TT3090101	CRANKSHAFT ASSY	1		68	TT5688001	•• PIPE FUEL	1	
18	TT6457303	PISTON	1		69	TT5687801	•• TANK GROMMET	1	
19	TT6969001	RING	2		70	TT5835901	•• TANK	1	
20	TT6969101	CLIP RING	2		71	TT6976501	•• CLIP	1	
21	TT6968701	WASHER	2		72	TT3075803	• CAP ASSY	1	
22	TT6997001	NEEDLE BEARING	1		73	TT6635401	BOLT TORX	3	
23	TT6230101	WRIST PIN	1		74	TT6634901	BOLT TORX	2	
24	TT6968801	KEY	1		75	TT2917803	COIL&BOOT ASSY	1	
25	TT4300401	PULLEY ASSY	1		76	TT2914301	LEAD ASSY(BLACK)	1	
26	TT6634701	BOLT MAFFLER	2		77	TT2914302	LEAD ASSY(RED)	1	
27	TT3074802	MUFFLER & arrester	1		78	TT5946201	SPACER	2	
28	TT6300206	MUFFLER GASKET	1		79	TT6996901	WASHER	2	
29	TT6457003	CYLINDER	1		80	848EU053D0	CUSHION	1	
30	TT9071102	GASKET INSULATOR	1		81	01252-30630	BOLT	1	
31	TT6634502	SCREW TORX	1		82	1565-12140	NUT	1	
32	TT5994702	INSULATOR	1		83	2630-31950	SCREW	1	
33	TT9071103	GASKET CABURETOR	1		84	1484-86280	WASHER	1	
34	TT6634402	SCREW TORX	2		85	5883-32160	SCREW	1	
35	TT3074502	CARBURETOR	1		86	TT9402973	CE LABEL	1	
36	TT6970001	CLIP HOSE	1		87	TT9432905	NOISE LABEL	1	
37	TT6969901	CLIP HOSE	1						
38	TT5688002	PLASTIC RUBBER TUBING	1						
39	TT3078001	PRIMER ASSY	1						
40	TT3097402	CHOKE LEVER&PLATE ASSY	1						
41	TT6634501	• SCREW TORX	1						
42	TT5994601	• CHOKE PLATE	1						
43	TT4315001	• CARBURETOR PLATE	1						
44	TT5945801	• CHOKE LEVER	1						
45	TT6634601	BOLT CARBURETOR	2						
46	TT5687301	ELEMENT	1						
47	TT3099904	COVER ASSY	1						
48	TT5946101	KNOB	1						
49	TT9506501	DECAL	1						
50	TT9506009	DECAL(To Start)	1						



KOMATSU ZENOA CO.

1-9 Minamidai, Kawagoe, Saitama, 350-1192 Japan
