

# PARTS LIST

## CHAIN SAW

# G621AVS

**NOTE :**

1. Use KOMATSU ZENOAH genuine parts specified in the parts list for repair and/or replacement.
2. KOMATSU ZENOAH does not warrant the machines, those which have been damaged by the use of any parts other than those specified by the company.
3. When placing orders of parts for repair and/or replacement, check if the model name and the serial number are suitable to those specified in the parts list, then use parts number described in the parts list.
4. The contents described in the parts list may change due to improvement.
5. The parts for the machine shall be supplied within ten (10) years after the machine is discontinued.  
[It is possible that some specific parts may be subject to change of their delivery term and list price within the limit of ten (10) years after the machine is discontinued. And it is also possible that some parts may be available even after the limit of ten (10) years.]

Fig.1 POWER UNIT

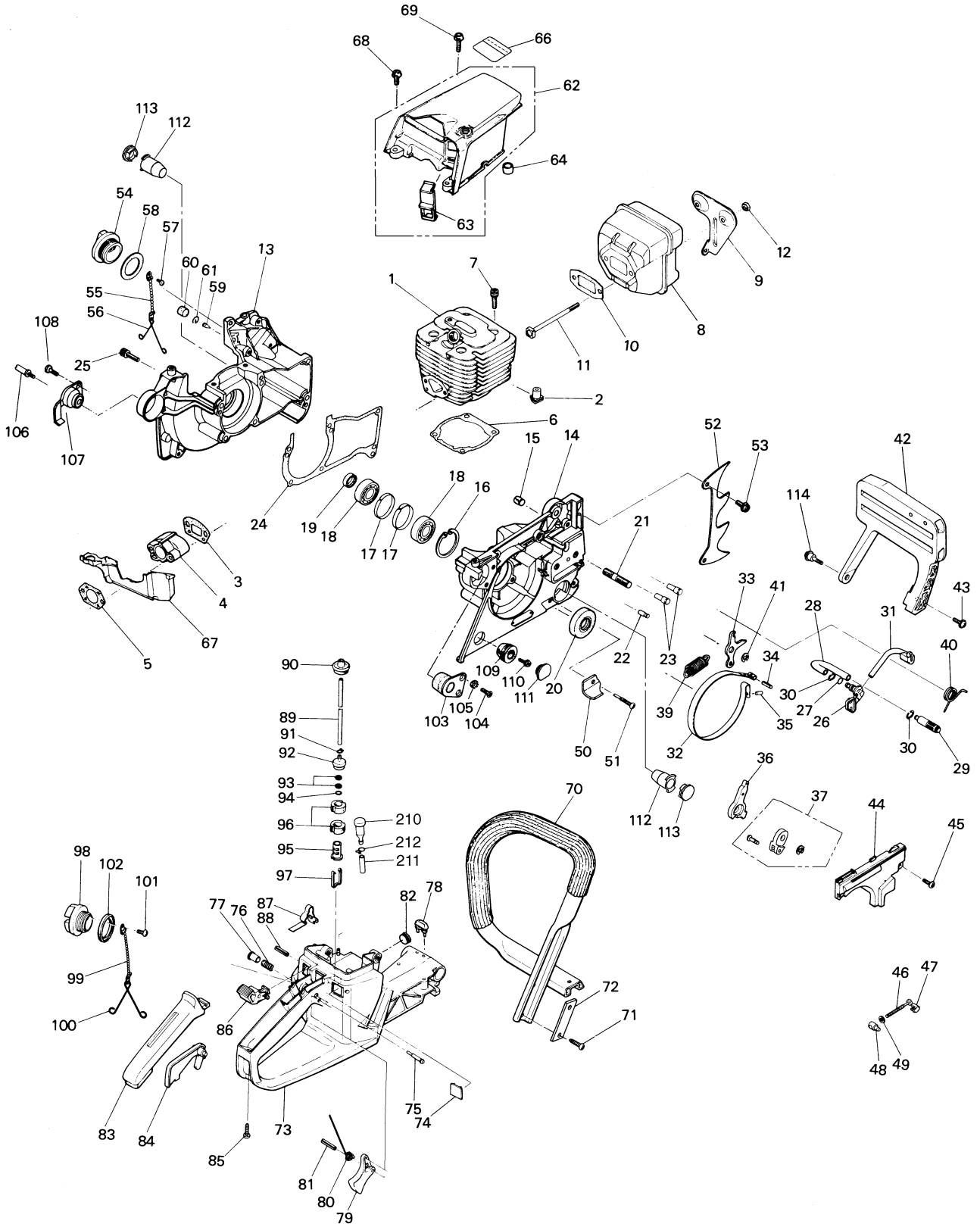


Fig.1 POWER UNIT

| Key# | PART NUMBER | DESCRIPTION           | Q'TY /UNIT | NOTE             | Key# | PART NUMBER | DESCRIPTION               | Q'TY /UNIT | NOTE               |
|------|-------------|-----------------------|------------|------------------|------|-------------|---------------------------|------------|--------------------|
| 1    | 848C9012A7  | CYLINDER              | 1          |                  | 62   | 2626-31104  | COVER COMP., cylinder     | 1          | Incl. 62 thru 63   |
| 2    | 3356-12141  | GROMMET               | 1          |                  | 63   | 3356-31152  | • GROMMET                 | 1          |                    |
| 3    | 848C9014B3  | GASKET, insulator     | 1          |                  | 64   | 3356-31120  | CAP, cylinder cover       | 1          |                    |
| 4    | 2618-14120  | INSULATOR             | 1          |                  |      |             |                           |            |                    |
| 5    | 848C9014C2  | GASKET, carburetor    | 1          |                  | 66   | 2627-31170  | LABEL                     | 1          |                    |
| 6    | 2616-14211  | GASKET, cylinder base | 1          |                  | 67   | 3356-31212  | SEAL, cylinder cover      | 1          |                    |
| 7    | 3310-12281  | BOLT                  | 4          |                  | 68   | 0263-90514  | SCREW                     | 2          |                    |
| 8    | 2610-15111  | MUFFLER               | 1          |                  | 69   | 0263-90520  | SCREW                     | 1          |                    |
| 9    | 3356-15123  | STAY                  | 1          |                  | 70   | 2620-32100  | FRONT HANDLE COMP.        | 1          |                    |
| 10   | 3356-15210  | GASKET, muffler       | 1          | K1               | 71   | 8488251901  | SCREW                     | 4          |                    |
| 11   | 3356-15220  | BOLT                  | 2          |                  | 72   | 2851-32180  | PLATE                     | 2          |                    |
| 12   | 2850-15230  | NUT                   | 2          |                  |      |             |                           |            |                    |
|      | 848C902104  | CRANKCASE ASSY        | 1          | Incl. 13 thru 24 | 73   | 2622-33005  | REAR HANDLE ASSY          | 1          | Incl. 73 thru 82   |
| 13   | ☆           | CRANKCASE MAG         | 1          | ☆848C902104      | 74   | 2622-33105  | REAR HANDLE COMP.         | 1          |                    |
| 14   | ☆           | CRANKCASE PTO         | 1          | ☆848C902104      | 75   | 3350-33220  | PLATE                     | 1          |                    |
| 15   | 3356-21130  | PIN                   | 3          |                  | 76   | 3330-33250  | STOPPER                   | 1          |                    |
| 16   | 04065-03515 | SNAP RING             | 1          |                  | 77   | 3310-33262  | SPRING                    | 1          |                    |
| 17   | 2616-21250  | RING                  | 2          |                  | 78   | 3310-33271  | KNOB                      | 1          |                    |
| 18   | T4012-21240 | BEARING               | 2          |                  | 79   | 2810-33280  | DAMPER (A)                | 1          |                    |
| 19   | 3350-21210  | OIL SEAL, MAG         | 1          |                  | 80   | 848C1033C3  | LEVER, throttle           | 1          |                    |
| 20   | T1108-21220 | OIL SEAL, PTO         | 1          |                  | 81   | 3356-33321  | SPRING, throttle          | 1          |                    |
| 21   | 2616-21230  | STUD                  | 2          |                  | 82   | 04025-00524 | SPRING PIN                | 1          |                    |
| 22   | 3350-21250  | SPRING PIN            | 1          |                  | 83   | 2616-33412  | DAMPER (B)                | 1          |                    |
| 23   | 3356-21270  | PIN, brake arm        | 2          |                  | 84   | 3356-34111  | COVER, grip               | 1          |                    |
| 24   | 848C9021D2  | GASKET, crankcase     | 1          | K1               | 85   | 848C3033E3  | ARM                       | 1          |                    |
| 25   | 3310-12281  | BOLT                  | 6          |                  | 86   | 3356-32210  | SCREW                     | 1          |                    |
|      | 3356-23100  | OIL PIPE COMP.        | 1          | Incl. 26 thru 30 | 87   | 3350-34210  | LEVER, switch             | 1          |                    |
| 26   | 3356-23110  | PIPE, oil             | 1          |                  | 88   | 3356-34221  | SPRING, switch            | 1          |                    |
| 27   | 07000-11008 | O-RING                | 1          |                  |      | 2616-34230  | SPRING PIN                | 1          |                    |
| 28   | 3310-57312  | PIPE                  | 1          |                  |      |             |                           |            |                    |
| 29   | 3310-57412  | WEIGHT                | 1          |                  |      | 3356-34301  | FUEL PIPE ASSY            | 1          | Incl. 89 thru 97   |
| 30   | 3310-57511  | CLIP                  | 2          |                  | 89   | 3356-34310  | PIPE                      | 1          |                    |
| 31   | 3356-23211  | PIPE, oil             | 1          |                  | 90   | 3356-34320  | GROMMET                   | 1          |                    |
|      | 3356-24101  | BRAKE BAND COMP.      | 1          | Incl. 32 thru 34 | 91   | 1260-85460  | CLIP                      | 1          |                    |
| 32   | 3356-24111  | BAND, brake           | 1          |                  |      | 3302-85400  | FILTER ASSY               | 1          | Incl. 94 thru 97   |
| 33   | 3356-24120  | ARM, brake            | 1          |                  | 92   | ☆           | BODY                      | 1          | ☆3302-85400        |
| 34   | 04025-00408 | SPRING PIN            | 1          |                  | 93   | ☆           | SCREEN                    | 2          |                    |
| 35   | 3356-24140  | ROLLER                | 1          |                  | 94   | ☆           | RING                      | 1          | ☆3302-85400        |
| 36   | 2622-24210  | LEVER                 | 1          |                  | 95   | ☆           | SLEEVE                    | 1          | ☆3302-85400        |
| 37   | 848C925431  | STOPPER COMP.         | 1          |                  | 96   | ☆           | FILTER                    | 2          |                    |
|      | 2622-24600  | SPRING, brake         | 1          |                  | 97   | ☆           | CLIP                      | 1          | ☆3302-85400        |
| 39   | 3356-24240  | SPRING                | 1          |                  |      | 3350-34400  | CAP ASSY, fuel tank       | 1          | Incl. 98 thru 102  |
| 40   | 0308-00060  | SNAP RING             | 2          |                  | 98   | ☆           | CAP, fuel tank            | 1          | ☆3350-34400        |
| 41   | 848C9254A1  | GUARD                 | 1          |                  | 99   | ☆           | CHAIN, cap                | 1          | ☆3350-34400        |
| 42   | 2670-14320  | SCREW                 | 1          |                  | 100  | ☆           | STOPPER                   | 1          | ☆3350-34400        |
| 43   | 3356-24412  | COVER, brake          | 1          |                  | 101  | ☆           | SCREW                     | 1          | ☆3350-34400        |
| 44   | 0263-60514  | SCREW                 | 2          |                  | 102  | 3350-34450  | GASKET                    | 1          |                    |
| 45   | 3350-25111  | SCREW, chain adjust   | 1          |                  | 103  | 2616-35151  | DAMPER, rear right        | 1          |                    |
| 46   | 3350-25121  | STOPPER, adjust screw | 1          |                  | 104  | 0262-10514  | SCREW                     | 2          |                    |
| 47   | 3320-21191  | NUT (A)               | 1          |                  | 105  | 3320-14140  | WASHER                    | 2          |                    |
| 48   | 01641-20508 | WASHER                | 1          |                  | 106  | 2616-35170  | BOLT                      | 2          |                    |
| 49   | 2616-25211  | CATCHER, chain        | 1          |                  | 107  | 2616-35132  | DAMPER, rear left         | 1          |                    |
| 50   | 2616-25230  | SCREW                 | 1          |                  | 108  | 2616-25320  | SCREW                     | 2          |                    |
| 51   | 2623-25310  | SPIKE                 | 1          |                  | 109  | 2616-35141  | DAMPER, rear right bottom | 1          |                    |
| 52   | 2616-25320  | SCREW                 | 2          |                  | 110  | 1490-32120  | SCREW                     | 1          |                    |
|      | 3356-26100  | CAP ASSY, oil tank    | 1          | Incl. 54 thru 58 | 111  | 2856-35180  | CAP                       | 1          |                    |
| 54   | ☆           | CAP, oil tank         | 1          | ☆3356-26100      | 112  | 2616-35112  | DAMPER, front             | 2          |                    |
| 55   | ☆           | CHAIN, cap            | 1          | ☆3356-26100      | 113  | 3356-35121  | CAP                       | 2          |                    |
| 56   | ☆           | STOPPER               | 1          | ☆3356-26100      | 114  | 848C9075Z1  | SCREW                     | 1          |                    |
| 57   | ☆           | SCREW                 | 1          | ☆3356-26100      |      |             |                           |            |                    |
| 58   | 3317-57220  | GASKET                | 1          |                  |      | 3350-34501  | BREATHER ASSY             | 1          | Incl. 210 thru 212 |
| 59   | 3330-23121  | VALVE                 | 1          |                  | 210  | 3317-86100  | BREATHER                  | 1          |                    |
| 60   | 3350-26220  | SEAL, breather        | 1          |                  | 211  | 3350-34540  | PIPE                      | 1          |                    |
| 61   | 3350-26230  | CLIP                  | 1          |                  | 212  | 1260-85460  | CLIP                      | 1          |                    |

Fig.2 POWER UNIT

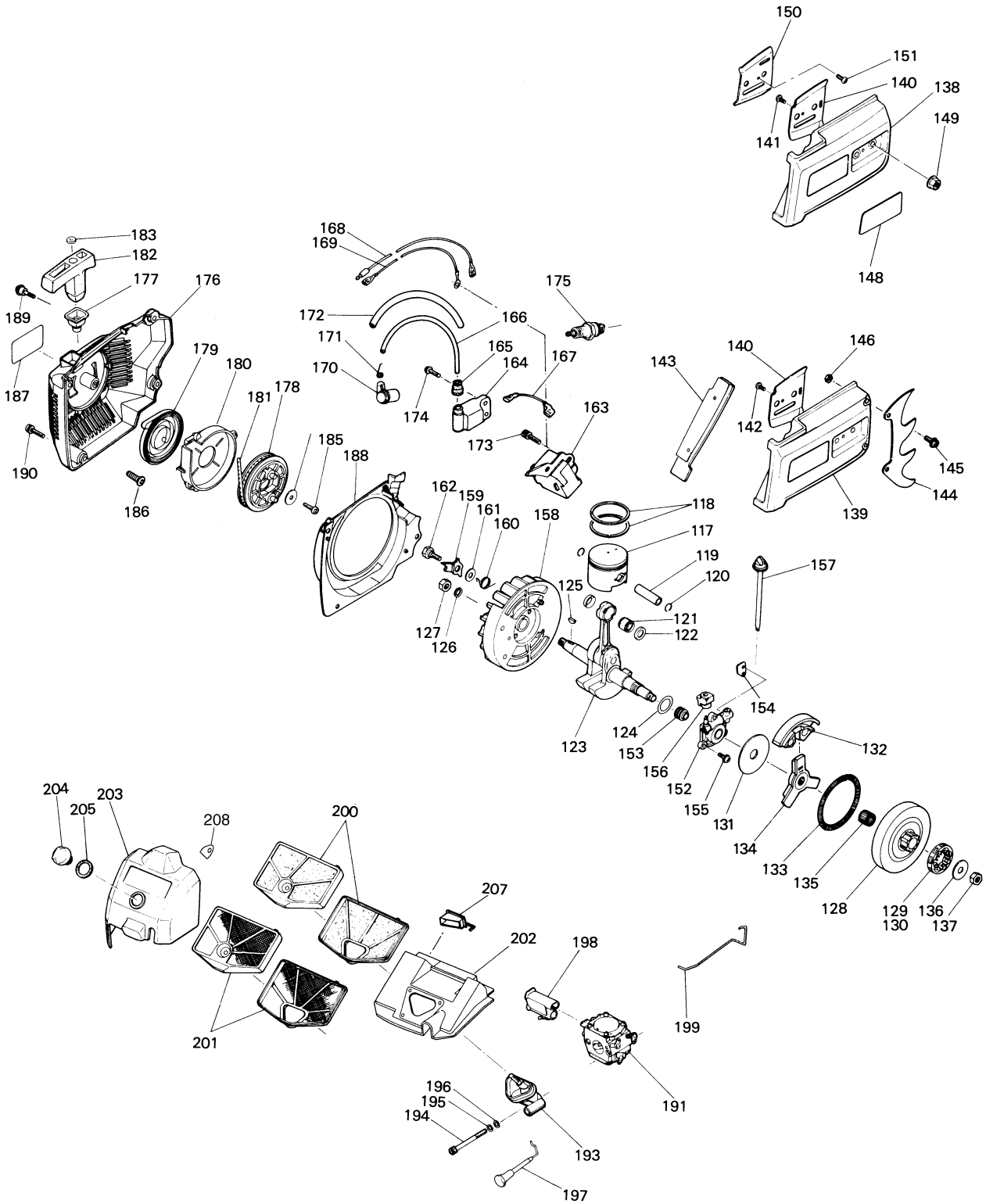
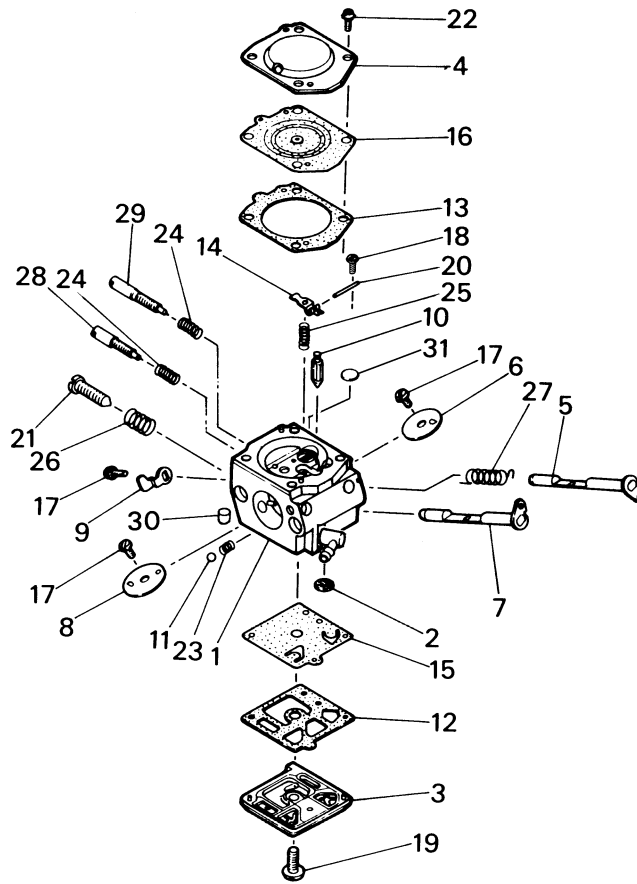


Fig.2 POWER UNIT

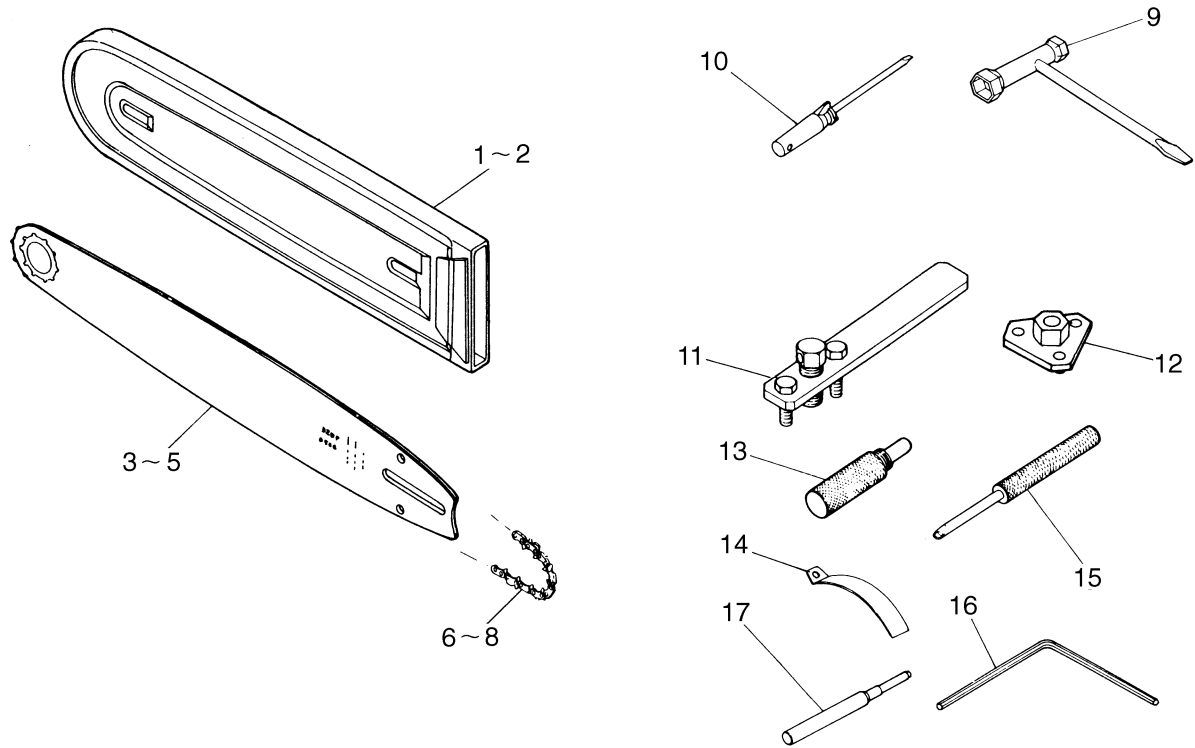
| Key# | PART NUMBER | DESCRIPTION         | Q'TY /UNIT | NOTE                  | Key# | PART NUMBER   | DESCRIPTION         | Q'TY /UNIT | NOTE                         |
|------|-------------|---------------------|------------|-----------------------|------|---------------|---------------------|------------|------------------------------|
| 117  | 2618-41112  | PISTON              | 1          |                       | 166  | 2616-71331    | CORD, high tension  | 1          |                              |
| 118  | 2618-41210  | RING, piston        | 2          |                       | 167  | 2616-71410    | CORD, primary       | 1          |                              |
| 119  | 3366-41310  | PIN, piston         | 1          |                       | 168  | 2616-71420    | CORD, switch        | 1          |                              |
| 120  | 3350-41320  | SNAP RING           | 2          |                       | 169  | 2616-71430    | CORD, earth         | 1          |                              |
| 121  | 1400-41410  | NEEDLE BEARING      | 1          |                       | 170  | 2850-72110    | CAP, spark plug     | 1          |                              |
| 122  | 2616-41510  | THRUST WASHER       | 2          |                       | 171  | 1400-72121    | SPRING, plug cap    | 1          |                              |
| 123  | 2616-42007  | CRANKSHAFT COMP.    | 1          |                       | 172  | 2850-71320    | TUBE, high tension  | 1          |                              |
| 124  | 1300-42410  | SHIM                | 0~2        |                       | 173  | 3350-15250    | BOLT                | 2          |                              |
| 125  | 1000-43240  | KEY                 | 1          |                       | 174  | 0263-30416    | SCREW               | 2          |                              |
| 126  | 0290-21025  | WASHER              | 1          |                       | 175  | 3699-90032-10 | SPARK PLUG          | 1          | Champion RCJ-7Y              |
| 127  | 1300-43231  | NUT                 | 1          |                       |      | 2618-75004    | STARTER ASSY        | 1          | Incl. 176 thru 186           |
| 128  | 3350-51110  | DRUM, clutch        | 1          |                       |      | 2618-75103    | STARTER CASE COMP.  | 1          | Incl. 176 & 177              |
| 129  | 3360-51120  | RIM, sprocket       | 1          | 3/8Px7T               | 176  | ☆             | CASE, STARTER       | 1          | ☆2618-75103                  |
| 130  | 3350-98810  | RIM, sprocket       | 1          | OP 325Px8T            | 177  | 2616-75120    | GUIDE, rope         | 1          |                              |
|      | 2616-51202  | CLUTCH ASSY         | 1          | Incl. 131 thru 134    | 178  | 3350-75213    | REEL                | 1          |                              |
| 131  | 2616-51210  | PLATE, clutch       | 1          |                       |      | 3356-75302    | SPIRAL SPRING COMP. | 1          | Incl. 179 & 180              |
| 132  | ☆           | SHOE, clutch        | 1          | ☆2616-51202           | 179  | ☆             | SPRING, spiral      | 1          | ☆3356-75302                  |
| 133  | 3350-51231  | SPRING, clutch      | 1          |                       | 180  | ☆             | HOLDER, spring      | 1          | ☆3356-75302                  |
| 134  | ☆           | BOSS, clutch        | 1          | ☆2616-51202           | 181  | 3356-75410    | ROPE                | 1          |                              |
| 135  | 3320-41410  | NEEDLE BEARING      | 1          |                       | 182  | 3350-75420    | KNOB, starter       | 1          |                              |
| 136  | 3350-51320  | WASHER              | 1          |                       | 183  | 3310-75431    | WASHER              | 1          |                              |
| 137  | 3310-43220  | NUT                 | 1          |                       | 184  | 3320-75350    | WASHER              | 1          |                              |
|      | 3356-53003  | CHAIN COVER ASSY    | 1          | Incl. 138 thru 141    | 185  | 1490-32120    | SCREW               | 1          |                              |
|      | 2618-53002  | CHAIN COVER ASSY    | 1          | OP Incl. 139 thru 143 | 186  | 2630-82550    | SCREW               | 2          |                              |
| 138  | ☆           | CHAIN COVER         | 1          | ☆3356-53003           | 187  | 2623-75131    | LABEL               | 1          |                              |
| 139  | ☆           | CHAIN COVER         | 1          | OP ☆2618-53002        | 188  | 3366-75612    | COVER, fan          | 1          |                              |
| 140  | 3356-53220  | PLATE, outer        | 1          |                       | 189  | 848C9075Z1    | SCREW               | 1          |                              |
| 141  | 0277-10410  | SCREW               | 1          |                       | 190  | 2616-75720    | SCREW               | 3          |                              |
| 142  | 0261-00410  | SCREW               | 1          | OP K6                 | 191  | 2627-81001    | CARBURETOR ASSY     | 1          | Ref. Fig.3                   |
| 143  | 2616-53300  | PROTECTOR COMP.     | 1          | OP K6                 | 193  | 3356-82114    | MANIFOLD            | 1          |                              |
| 144  | 2618-53510  | SPIKE               | 1          | OP K6                 | 194  | 8488158500    | BOLT                | 2          |                              |
| 145  | 2670-14320  | SCREW               | 2          | OP K6                 | 195  | 01601-20513   | WASHER              | 2          |                              |
| 146  | 3310-53331  | NUT                 | 2          | OP K6                 | 196  | 01641-20508   | WASHER              | 2          |                              |
| 148  | 2623-53121  | LABEL               | 1          |                       | 197  | 2616-82310    | ROD, choke          | 1          |                              |
| 149  | 3350-53410  | NUT, chain cover    | 2          |                       | 198  | 3356-82321    | GUIDE, adjuster     | 1          |                              |
| 150  | 3356-53210  | PLATE, inner        | 1          |                       | 199  | 2616-82410    | ROD, throttle       | 1          |                              |
| 151  | 0261-00410  | SCREW               | 1          |                       | 200  | 848C908315    | AIR CLEANER COMP.   | 1          | Felt type, Incl. 208         |
|      | 848C906703  | OIL PUMP ASSY       | 1          | Incl.152 & 153        | 201  | 848C918311    | AIR CLEANER COMP.   | 1          | OP Nylon net type, Incl. 208 |
| 152  | 848C906713  | BODY                | 1          |                       | 202  | 2627-83201    | SILENCER COMP.      | 1          |                              |
| 153  | 3356-55120  | WORM                | 1          |                       |      | 2622-83302    | CLEANER COVER COMP. | 1          | Incl. 203 thru 205           |
| 154  | 3356-55310  | GASKET, oil pump    | 1          |                       | 203  | ☆             | COVER, air cleaner  | 1          | ☆2622-83302                  |
| 155  | 0263-90520  | SCREW               | 3          |                       | 204  | 3356-83322    | KNOB                | 1          |                              |
| 156  | 3356-55450  | GROMMET, oil pump   | 1          |                       | 205  | 3388-83340    | GASKET, knob        | 1          |                              |
| 157  | 3356-55511  | SHAFT, oil adjust   | 1          |                       | 207  | 2610-83220    | CAP, silencer       | 1          |                              |
|      | 2618-71102  | ROTOR COMP.         | 1          | Incl. 159 thru 162    | 208  | 848C9083C0    | PLATE               | 1          |                              |
| 158  | 2616-71112  | ROTOR               | 1          |                       |      |               |                     |            |                              |
| 159  | 3366-71120  | RATCHET             | 2          |                       |      |               |                     |            |                              |
| 160  | 3350-71131  | SPRING              | 2          |                       |      |               |                     |            |                              |
| 161  | 3388-71150  | WASHER              | 2          |                       |      |               |                     |            |                              |
| 162  | 3310-71142  | BOLT                | 2          |                       |      |               |                     |            |                              |
| 163  | 848C9071B1  | SOURCE COIL         | 1          |                       |      |               |                     |            |                              |
|      | 2616-71301  | IGNITION COIL COMP. | 1          | Incl. 164 thru 166    |      |               |                     |            |                              |
| 164  | ☆           | COIL, ignition      | 1          | ☆2616-71301           |      |               |                     |            |                              |
| 165  | 2616-71320  | CAP                 | 1          |                       |      |               |                     |            |                              |

**Fig.3 CARBURETOR COMPONENTS**



| Key# | PART NUMBER | DESCRIPTION           | Q'TY /UNIT | NOTE | Key# | PART NUMBER | DESCRIPTION             | Q'TY /UNIT | NOTE |
|------|-------------|-----------------------|------------|------|------|-------------|-------------------------|------------|------|
|      | 2627-81001  | CARBURETOR ASSY       | 1          |      | 22   | 3310-81351  | SCREW ASSY              | 4          |      |
| 1    |             | BODY ASSY             | 1          |      | 23   | 3350-81350  | SPRING, friction        | 1          |      |
| 2    | 3306-81380  | SCREEN, inlet         | 1          |      | 24   | 1491-81161  | SPRING, needle adjust   | 2          |      |
| 3    | 3350-81130  | COVER, pump           | 1          |      | 25   | 3350-81370  | SPRING, metering lever  | 1          |      |
| 4    | 3350-81140  | COVER, diaphragm      | 1          |      | 26   | 3350-81380  | SPRING, idle speed      | 1          |      |
| 5    | 3366-81151  | SHAFT ASSY, throttle  | 1          |      | 27   | 3350-81391  | SPRING, throttle return | 1          |      |
| 6    | 3366-81340  | VALVE, throttle       | 1          |      | 28   | 2618-81410  | NEEDLE, high speed      | 1          |      |
| 7    | 3356-81171  | SHAFT ASSY, choke     | 1          |      | 29   | 2610-81420  | NEEDLE, idle            | 1          |      |
| 8    | 2616-81180  | VALVE, choke          | 1          |      | 30   | 3356-81430  | PLUG, friction          | 1          |      |
| 9    | 3350-81190  | STOP, throttle        | 1          |      | 31   | 1480-81420  | PLUG, welch             | 1          |      |
| 10   | 3356-81310  | VALVE, inlet          | 1          |      | K2   | 3350-06020  | GASKET KIT              | 1          | OP   |
| 11   | 3350-81220  | BALL, friction        | 1          |      | K3   | 3350-06030  | DIAPHRAGM KIT           | 1          | OP   |
| 12   | 3350-81230  | GASKET, pump          | 1          | K2   |      |             |                         |            |      |
| 13   | 3350-81240  | GASKET, diaphragm     | 1          | K2   |      |             |                         |            |      |
| 14   | 3350-81250  | LEVER, metering       | 1          |      |      |             |                         |            |      |
| 15   | 2618-81260  | DIAPHRAGM, pump       | 1          | K3   |      |             |                         |            |      |
| 16   | 3350-81270  | DIAPHRAGM ASSY        | 1          | K3   |      |             |                         |            |      |
| 17   | 2880-81470  | SCREW, valve          | 3          |      |      |             |                         |            |      |
| 18   | 3310-81240  | SCREW, metering lever | 1          |      |      |             |                         |            |      |
| 19   | 1491-81130  | SCREW, pump cover     | 1          |      |      |             |                         |            |      |
| 20   | 3310-81250  | PIN, metering lever   | 1          |      |      |             |                         |            |      |
| 21   | 2670-81430  | SCREW, idle speed     | 1          |      |      |             |                         |            |      |

Fig.4 ACCESSORIES



| Key# | PART NUMBER   | DESCRIPTION            | Q'TY /UNIT | NOTE                |
|------|---------------|------------------------|------------|---------------------|
| 1    | 3356-97110    | PROTECTOR, guide bar   | 1          | OP for 16"~18" bar  |
| 2    | 3665-97110    | PROTECTOR, guide bar   | 1          | OP for 20"~24" bar  |
| 3    | 3670-52112    | BAR 16", sprocket nose | 1          | OP 325P             |
| 4    | 3673-52113    | BAR 18", sprocket nose | 1          | OP 325P             |
| 5    | 3674-52113    | BAR 20", sprocket nose | 1          | OP 325P             |
| 6    | 3670-52220-50 | CHAIN, for 16" bar     | 1          | OP 73LG-60E         |
| 7    | 3673-52220-50 | CHAIN, for 18" bar     | 1          | OP 73LG-66E         |
| 8    | 3674-52220-50 | CHAIN, for 20" bar     | 1          | OP 73LG-72E         |
| 9    | 3320-91140    | PLUG WRENCH            | 1          |                     |
| 10   | 2670-91150    | SCREWDRIVER            | 1          |                     |
|      | 2616-96000    | SPECIAL TOOL KIT       | 1          | OP Incl. 11 thru 17 |
| 11   | 2890-96100    | PULLER ASSY. rotor     | 1          | OP                  |
| 12   | 2616-96210    | WRENCH, clutch         | 1          | OP                  |
| 13   | 3350-96220    | STOPPER, piston        | 1          | OP                  |
| 14   | 3350-96240    | GAUGE, air gap         | 1          | OP                  |
| 15   | 3350-96510    | GUIDE, brake spring    | 1          | OP                  |
| 16   | 3330-97210    | WRENCH                 | 1          | OP                  |
| 17   | 3356-96230    | GUIDE, piston pin      | 1          | OP                  |



# **KOMATSU ZENOA CO.**

1-9 Minamidai, Kawagoe, Saitama, 350-1192 Japan

---