



DISEGNI ESPLOSI

VUES ECLATEE

EXPLODED VIEWS

**RASAERBA
TONDEUSES
LAWN MOWERS**

INDICE – INDEX

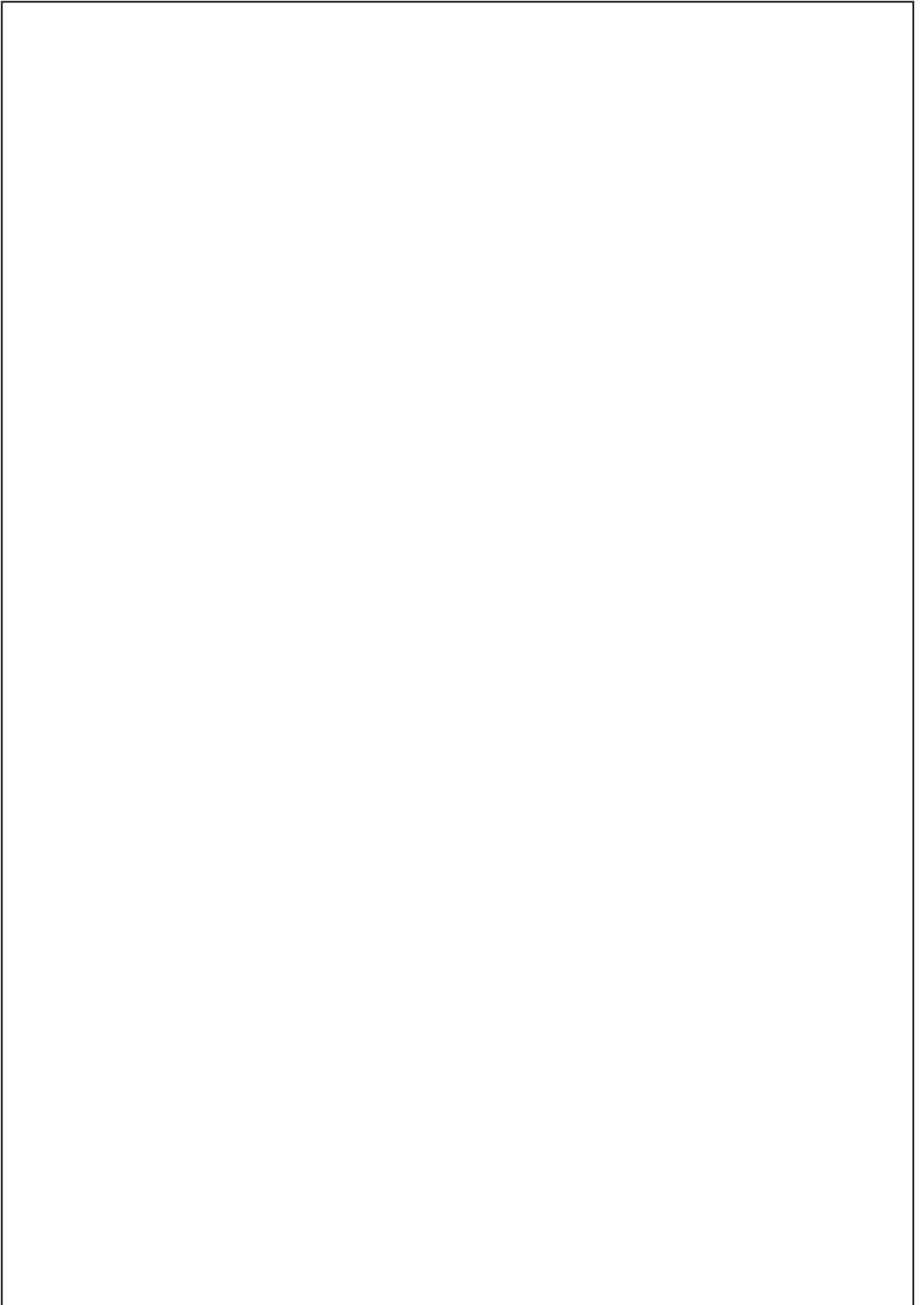
SCOCCA IN LAMIERA - CORPS EN ACIER - STEEL DECK Pag. – page 5

Rasaerba - Tondeuses - Lawn mowers (4200 B)	6-9
Rasaerba - Tondeuses - Lawn mowers (4200 SB)	10-15
Rasaerba - Tondeuses - Lawn mowers (4300 B)	16-19
Rasaerba - Tondeuses - Lawn mowers (4300 SB)	20-29
Rasaerba - Tondeuses - Lawn mowers (4800 B)	30-33
Rasaerba - Tondeuses - Lawn mowers (4800 SB)	34-39
Rasaerba - Tondeuses - Lawn mowers (4900 B)	40-45
Rasaerba - Tondeuses - Lawn mowers (4900 SB)	46-57
Rasaerba - Tondeuses - Lawn mowers (4900 SH)	58-61
Rasaerba - Tondeuses - Lawn mowers (5300 SB)	62-77
Rasaerba - Tondeuses - Lawn mowers (5300 SH)	78-85

SCOCCA IN ALLUMINIO - CORPS EN ALUMINIUM - ALUMINIUM DECK Pag. – page 87

Rasaerba - Tondeuses - Lawn mowers (4400 B)	88-93
Rasaerba - Tondeuses - Lawn mowers (5000 B)	94-99
Rasaerba - Tondeuses - Lawn mowers (5000 SB)	100-111
Rasaerba - Tondeuses - Lawn mowers (5000 SH)	112-123
Rasaerba - Tondeuses - Lawn mowers (5400 SB)	124-131
Rasaerba - Tondeuses - Lawn mowers (5400 SH)	132-143
Rasaerba - Tondeuses - Lawn mowers (5400 SVH)	144-149
Rasaerba - Tondeuses - Lawn mowers (5450 SVH BBC)	150-159

Rasaerba - Tondeuses - Lawn mowers (5800 SB)	160-171
Rasaerba - Tondeuses - Lawn mowers (5850 SVB)	172-181
Rasaerba - Tondeuses - Lawn mowers (5850 SWH)	182-191
Rasaerba - Tondeuses - Lawn mowers (5850 SWH BBC)	192-203
<u>MULCHING</u>	Pag. – page 205
Rasaerba - Tondeuses - Lawn mowers (5500 SVB)	206-213





RICAMBI RASAERBA
PIECES DETACHEES TONDEUSES
LAWN MOWERS SPARE PARTS

**SCOCCA IN LAMIERA
CORPS EN ACIER
STEEL DECK**

4200 B / SB

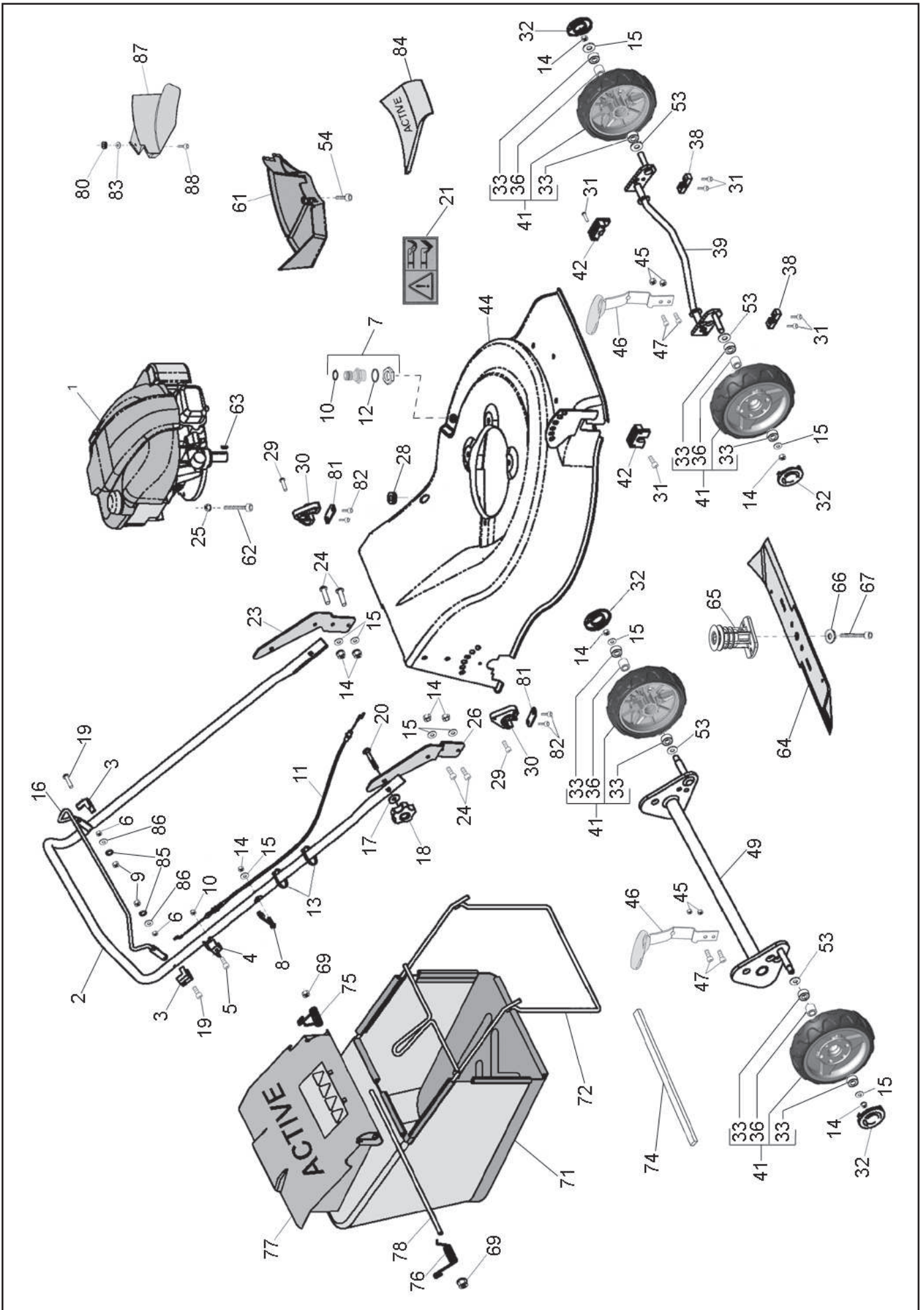
4300 B / SB

4800 B / SB

4900 B / SB / SH

5300 SB / SH

Rasaerba - Tondeuses - Lawn mowers (4200 B)



Rasaerba - Tondeuses - Lawn mowers (4200 B)

RIF. REF.	COD. N° / P P / N°	Q.	DESCRIZIONE - DESCRIPTION	RIF. REF.	COD. N° / P P / N°	Q.	DESCRIZIONE - DESCRIPTION
1	50242	1	MOTORE - MOTEUR - ENGINE	42	50458	2	SUPPORTO - SUPPORT - BRACKET
2	50380	1	MANUBRIO - GUIDON - HANDLE BAR	44	50414	1	CARTER - CAPOT - HOUSING (Rosso - Red)
3	50558	2	STAFFA - ETRIER - STIRRUP		50585		CARTER - CAPOT - HOUSING (Grigio - Gray)
4	50206	1	STAFFA - ETRIER - STIRRUP	45	20289	4	DADO - ECROU - NUT
5	40092	1	VITE - VIS - SCREW	46	50429	2	LEVA - LEVIER - LEVER
6	20917	2	DADO - ECROU - NUT	47	22798	4	VITE - VIS - SCREW
7	50209	1	ATTACCO ACQUA - RACCORDEMENT à L'EAU - WATER CONNECTION	49	50423	1	ASSALE - AXE - AXLE
8	50105	1	GUIDA - SUPPORT - BRACKET	53	20790	4	RONDELLA - RONDELLE - WASHER
9	31216	2	DADO - ECROU - NUT	54	50659	1	VITE - VIS - SCREW
10	23755	1	GOMMINO - CAOUTCHOUC - RUBBER	61	50412	1	CARTER - CAPOT - COVER
11	50631	1	CAVO - CABLE (Freno - Brake)	62	40720	3	VITE - VIS - SCREW
12	23758	1	GOMMINO - CAOUTCHOUC - RUBBER	63	50305	1	CHIAVETTA - CLAVETTE - KEY
13	50314	2	FASCETTA - CLIP	64	50417	1	LAMA - LAME - BLADE (41 cm)
14	20788	9	DADO - ECROU - NUT	65	50607	1	MOZZO - MOYEUR - HUB (Ø22,2)
15	20711	9	RONDELLA - RONDELLE - WASHER	66	50538	1	RONDELLA - RONDELLE - WASHER
16	50175	1	MANIGLIA - POIGNEE - HANDLE	67	50641	1	VITE - VIS - SCREW
17	21686	2	RONDELLA - RONDELLE - WASHER	69	50663	2	DADO - ECROU - NUT
18	50025	2	MANOPOLA - POIGNEE - HANDLE	71	50463	1	TELA - TOILE - CANVAS (Verde - Green)
19	50830	2	VITE - VIS - SCREW		50728		TELA - TOILE - CANVAS (Nera - Black)
20	50668	2	VITE - VIS - SCREW	72	50149	1	TELAIO - CHASSIS - FRAME
21	50909	1	ADESIVO - ADHESIF - ADHESIVE	74	50880	1	GOMMA ADESIVA - CAOUTCHOUC - RUBBER
23	50439	1	MANUBRIO - GUIDON - HANDLE BAR (SX)	75	50597	1	MOLLA - RESSORT - SPRING
24	40007	4	VITE - VIS - SCREW	76	50461	1	MOLLA - RESSORT - SPRING
25	50666	3	DADO - ECROU - NUT	77	50460	1	DEFLETTORE - DEFLECTEUR - DEFLECTOR
26	50437	1	MANUBRIO - GUIDON - HANDLE BAR (DX)	78	50441	1	PERNO - PIVOT - PIN
28	50469	1	GOMMINO - CAOUTCHOUC - RUBBER	80	50660	1	MANOPOLA - POIGNEE - HANDLE
29	50656	2	VITE - VIS - SCREW	81	50042	2	PIASTRA - PLAQUE - PLATE
30	50457	2	SUPPORTO - SUPPORT - BRACKET	82	50657	4	VITE - VIS - SCREW
31	50662	6	VITE - VIS - SCREW	83	20316	1	RONDELLA - RONDELLE - WASHER
32	50020	4	COPRI MOZZO - COUVERCLE - WHEEL COVER	84	50479	1	CARTER - CAPOT - COVER
33	50667	8	CUSCINETTO - ROULEMENT - BEARING	85	50761	2	RONDELLA - RONDELLE - WASHER
36	50544	4	DISTANZIALE - ENTRETOISE - SPACER	86	21139	2	RONDELLA - RONDELLE - WASHER
38	50459	2	SUPPORTO - SUPPORT - BRACKET	87	50468	1	TAPPO MULCHING - FERMATURE - MULCHING PLUG
39	50410	1	ASSALE - AXE - AXLE	88	50658	1	VITE - VIS - SCREW
41	50107	4	RUOTA - ROUE - WHEEL				

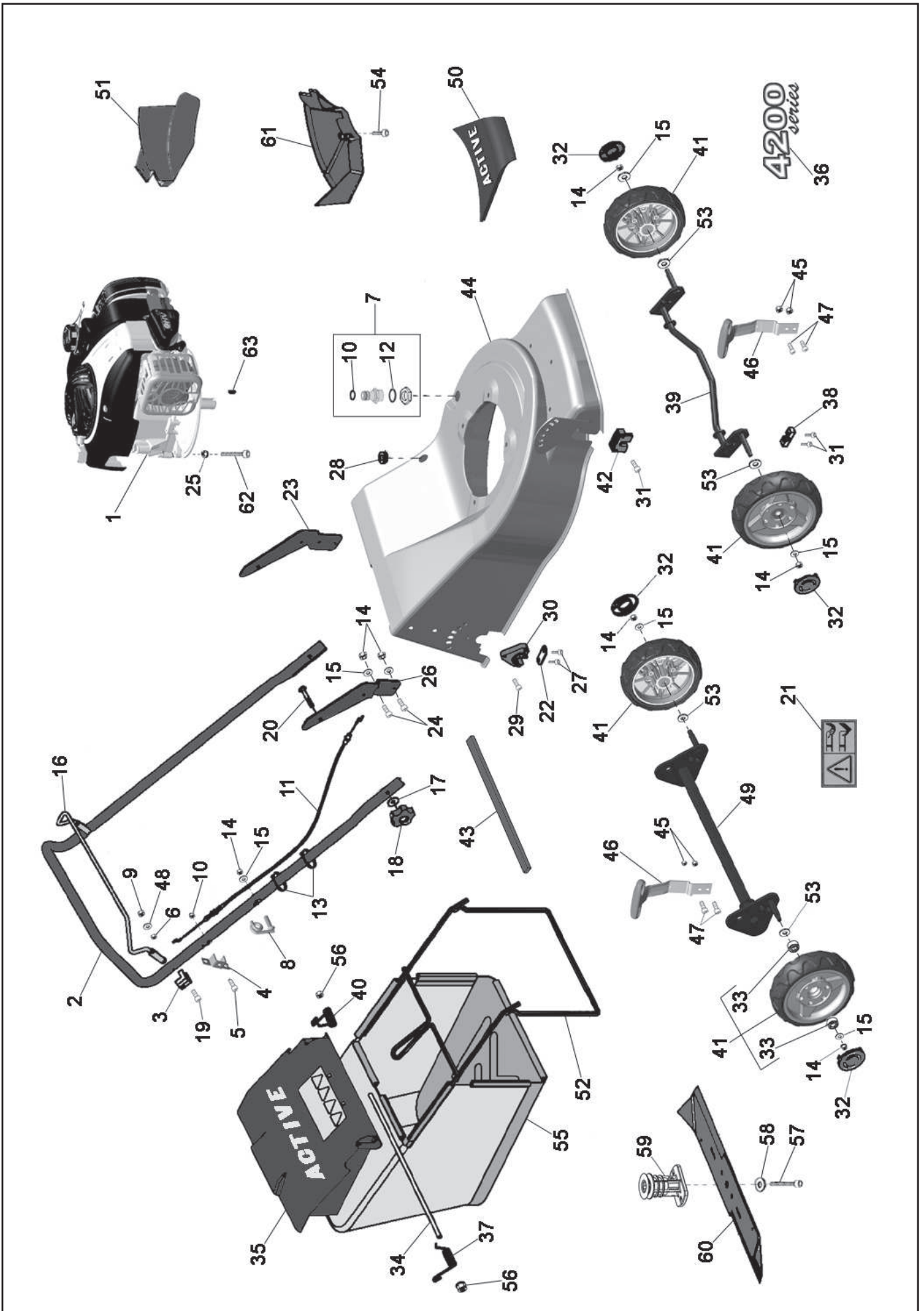
NOTE - NOTES



Valido dal N° di serie
A partir de N° de matricule suivant
From serial N°

42XB130001

Rasaerba - Tondeuses - Lawn mowers (4200 B)



Rasaerba - Tondeuses - Lawn mowers (4200 B)

RIF.	COD.	Q.	DESCRIZIONE - DESCRIPTION	RIF.	COD.	Q.	DESCRIZIONE - DESCRIPTION
REF.	N° / P / N°			REF.	N° / P / N°		
1	50242	1	MOTORE - MOTEUR - ENGINE	34	50441	1	PERNO - PIVOT - PIN
2	50380	1	MANUBRIO - GUIDON - HANDLE BAR	35	50460	1	DEFLETTORE - DEFLECTEUR - DEFLECTOR
3	50558	2	STAFFA - ETRIER - STIRRUP	36	50154	1	ADESIVO - ADHESIF - ADHESIVE
4	50206	1	STAFFA - ETRIER - STIRRUP	37	50461	1	MOLLA - RESSORT - SPRING
5	40092	1	VITE - VIS - SCREW	38	50459	2	SUPPORTO - SUPPORT - BRACKET
6	20917	2	DADO - ECROU - NUT	39	50410	1	ASSALE - AXE - AXLE
7	50209	1	ATTACCO ACQUA - RACCORDEMENT à L'EAU - WATER CONNECTION	40	50597	1	MOLLA - RESSORT - SPRING
8	50105	1	GUIDA - SUPPORT - BRACKET	41	50107	4	RUOTA - ROUE - WHEEL
9	31216	2	DADO - ECROU - NUT	42	50458	2	SUPPORTO - SUPPORT - BRACKET
10	23755	1	GOMMINO - CAOUTCHOUC - RUBBER	43	50880	1	GOMMA ADESIVA - CAOUTCHOUC - RUBBER
11	50631	1	CAVO - CABLE (Freno - Brake)	44	50414	1	CARTER - CAPOT - HOUSING (Rosso - Red)
12	23758	1	GOMMINO - CAOUTCHOUC - RUBBER		50585		CARTER - CAPOT - HOUSING (Grigio - Gray)
13	50314	2	FASCETTA - CLIP	45	20289	4	DADO - ECROU - NUT
14	20788	9	DADO - ECROU - NUT	46	50429	2	LEVA - LEVIER - LEVER
15	20711	9	RONDELLA - RONDELLE - WASHER	47	22798	4	VITE - VIS - SCREW
16	50175	1	MANIGLIA - POIGNEE - HANDLE	48	21139	2	RONDELLA - RONDELLE - WASHER
17	21686	2	RONDELLA - RONDELLE - WASHER	49	50423	1	ASSALE - AXE - AXLE
18	50025	2	MANOPOLA - POIGNEE - HANDLE	50	50479	1	CARTER - CAPOT - COVER
19	50830	2	VITE - VIS - SCREW	51	50568	1	TAPPO MULCHING - FERMATURE - MULCHING PLUG
20	50668	2	VITE - VIS - SCREW	52	50149	1	TELAIO - CHASSIS - FRAME
21	50909	1	ADESIVO - ADHESIF - ADHESIVE	53	20790	4	RONDELLA - RONDELLE - WASHER
22	50042	2	PIASTRA - PLAQUE - PLATE	54	50659	1	VITE - VIS - SCREW
23	50439	1	MANUBRIO - GUIDON - HANDLE BAR (SX)	55	50463	1	TELA - TOILE - CANVAS (Verde - Green)
24	40007	4	VITE - VIS - SCREW		50728		TELA - TOILE - CANVAS (Nera - Black)
25	50666	3	DADO - ECROU - NUT	56	50663	2	DADO - ECROU - NUT
26	50437	1	MANUBRIO - GUIDON - HANDLE BAR (DX)	57	50641	1	VITE - VIS - SCREW
27	50657	4	VITE - VIS - SCREW	58	50538	1	RONDELLA - RONDELLE - WASHER
28	50469	1	GOMMINO - CAOUTCHOUC - RUBBER	59	50607	1	MOZZO - MOYEUX - HUB (Ø22,2)
29	50656	2	VITE - VIS - SCREW	60	50417	1	LAMA - LAME - BLADE (41 cm)
30	50457	2	SUPPORTO - SUPPORT - BRACKET	61	50412	1	CARTER - CAPOT - COVER
31	50662	6	VITE - VIS - SCREW	62	40720	3	VITE - VIS - SCREW
32	50020	4	COPRI MOZZO - COUVERCLE - WHEEL COVER	63	50305	1	CHIAVETTA - CLAVETTE - KEY
33	50155	8	CUSCINETTO - ROULEMENT - BEARING				

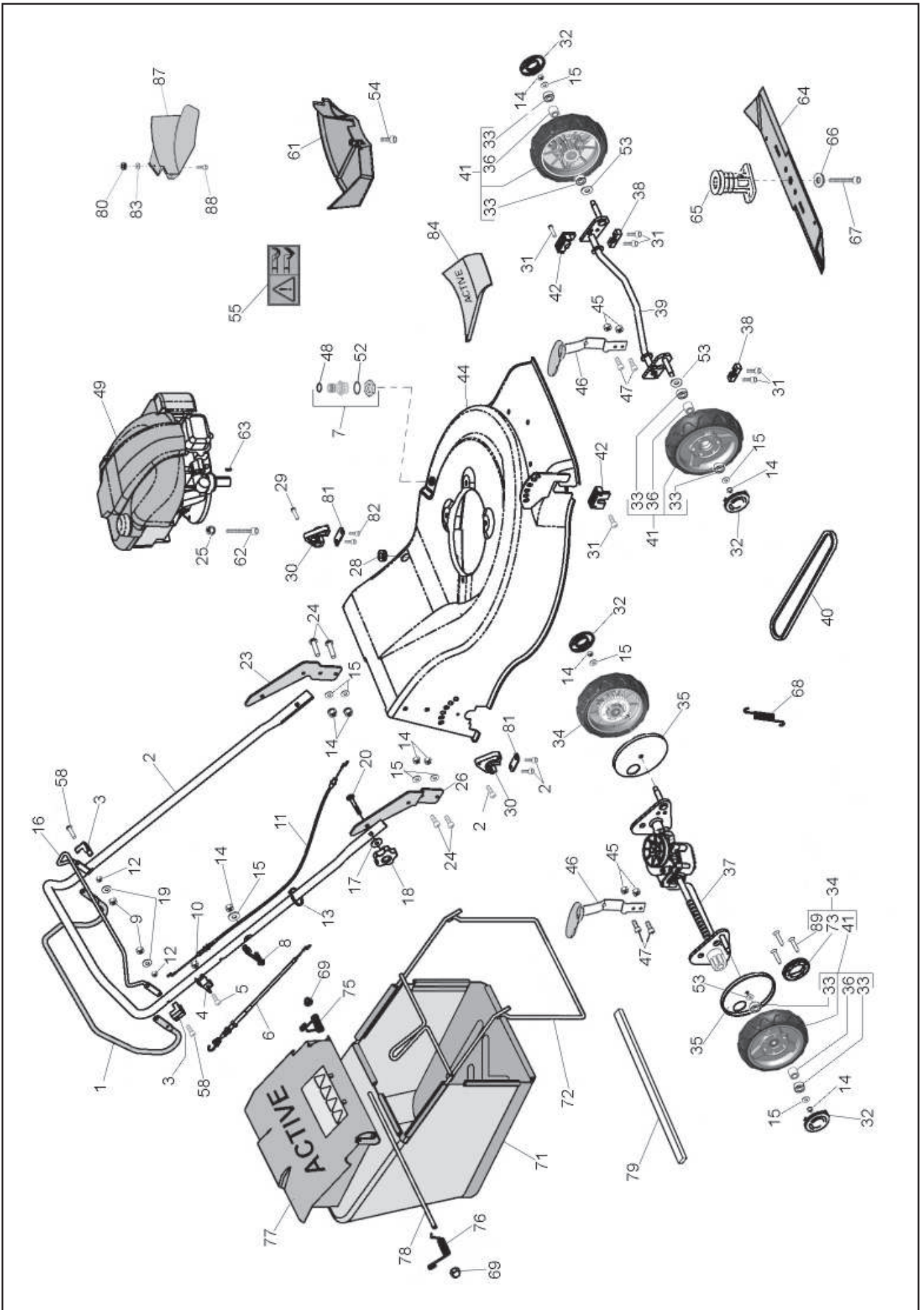
NOTE - NOTES



Valido dal N° di serie
A partir de N° de matricule suivant
From serial N°

42XB140001

Rasaerba - Tondeuses - Lawn mowers (4200 SB)



Rasaerba - Tondeuses - Lawn mowers (4200 SB)

RIF. REF.	COD. N° / P P / N°	Q.	DESCRIZIONE - DESCRIPTION	RIF. REF.	COD. N° / P P / N°	Q.	DESCRIZIONE - DESCRIPTION
1	50177	1	MANIGLIA - POIGNEE - HANDLE	44	50414	1	CARTER - CAPOT - HOUSING (Rosso - Red)
2	50380	1	MANUBRIO - GUIDON - HANDLE BAR		50585	1	CARTER - CAPOT - HOUSING (Grigio - Gray)
3	50558	2	STAFFA - ETRIER - STIRRUP	45	20289	4	DADO - ECROU - NUT
4	50206	1	STAFFA - ETRIER - STIRRUP	46	50429	2	LEVA - LEVIER - LEVER
5	40092	1	VITE - VIS - SCREW	47	22798	4	VITE - VIS - SCREW
6	50475	1	CAVO - CABLE (Trazione - Traction)	48	23755	1	GOMMINO - CAOUTCHOUC - RUBBER
7	50209	1	ATTACCO ACQUA - RACCORDEMENT à L'EAU - WATER CONNECTION	49	50242	1	MOTORE - MOTEUR - ENGINE
8	50105	1	GUIDA - SUPPORT - BRACKET	52	23758	1	GOMMINO - CAOUTCHOUC - RUBBER
9	31216	2	DADO - ECROU - NUT	53	20790	4	RONDELLA - RONDELLE - WASHER
10	20176	1	DADO - ECROU - NUT	54	50659	1	VITE - VIS - SCREW
11	50095	1	CAVO - CABLE (Freno - Brake)	55	50909	1	ADESIVO - ADHESIF - ADHESIVE
12	20917	2	DADO - ECROU - NUT	58	22045	2	VITE - VIS - SCREW
13	50314	2	FASCETTA - CLIP	61	50412	1	CARTER - CAPOT - COVER
14	20788	9	DADO - ECROU - NUT	62	40720	3	VITE - VIS - SCREW
15	20711	9	RONDELLA - RONDELLE - WASHER	63	50305	1	CHIAVETTA - CLAVETTE - KEY
16	50175	1	MANIGLIA - POIGNEE - HANDLE	64	50417	1	LAMA - LAME - BLADE (41 cm)
17	21686	2	RONDELLA - RONDELLE - WASHER	65	50607	1	MOZZO - MOYEUR - HUB (Ø22,2)
18	50025	2	MANOPOLA - POIGNEE - HANDLE	66	50538	1	RONDELLA - RONDELLE - WASHER
19	21139	6	RONDELLA - RONDELLE - WASHER	67	50641	1	VITE - VIS - SCREW
20	50668	2	VITE - VIS - SCREW	68	50448	1	MOLLA - RESSORT - SPRING
23	50439	1	MANUBRIO - GUIDON - HANDLE BAR (SX)	69	50663	2	DADO - ECROU - NUT
24	40007	4	VITE - VIS - SCREW	71	50463	1	TELA - TOILE - CANVAS (Verde - Green)
25	50666	3	DADO - ECROU - NUT		50728	1	TELA - TOILE - CANVAS (Nera - Black)
26	50437	1	MANUBRIO - GUIDON - HANDLE BAR (DX)	72	50149	1	TELAIO - CHASSIS - FRAME
28	50469	1	GOMMINO - CAOUTCHOUC - RUBBER	73	50529	2	CORONA - COURONNE - CROWN
29	50656	2	VITE - VIS - SCREW	75	50597	1	MOLLA - RESSORT - SPRING (SX)
30	50457	2	SUPPORTO - SUPPORT - BRACKET	76	50461	1	MOLLA - RESSORT - SPRING (DX)
31	50662	6	VITE - VIS - SCREW	77	50460	1	DEFLETTORE - DEFLECTEUR - DEFLECTOR
32	50020	4	COPRI MOZZO - COUVERCLE - WHEEL COVER	78	50441	1	PERNO - PIVOT - PIN
33	50667	8	CUSCINETTO - ROULEMENT - BEARING	79	50880	1	GOMMA ADESIVA - CAOUTCHOUC - RUBBER
34	50108	2	RUOTA - ROUE - WHEEL	80	50660	1	MANOPOLA - POIGNEE - HANDLE
35	50174	2	PARAPOLVERE - PROTECTION - GUARD	81	50042	2	PIASTRA - PLAQUE - PLATE
36	50544	4	DISTANZIALE - ENTRETOISE - SPACER	82	50657	4	VITE - VIS - SCREW
37	50379	1	KIT : CAMBIO - BOITE DE VIT. - GEARBOX	83	20316	1	RONDELLA - RONDELLE - WASHER
38	50459	2	SUPPORTO - SUPPORT - BRACKET	84	50479	1	CARTER - CAPOT - COVER
39	50410	1	ASSALE - AXE - AXLE	87	50468	1	TAPPO MULCHING - FERMATURE - MULCHING PLUG
40	50882	1	CINGHIA - COURROIE - BELT	88	50658	1	VITE - VIS - SCREW
41	50107	2	RUOTA - ROUE - WHEEL	89	50640	6	VITE - VIS - SCREW
42	50458	2	SUPPORTO - SUPPORT - BRACKET				

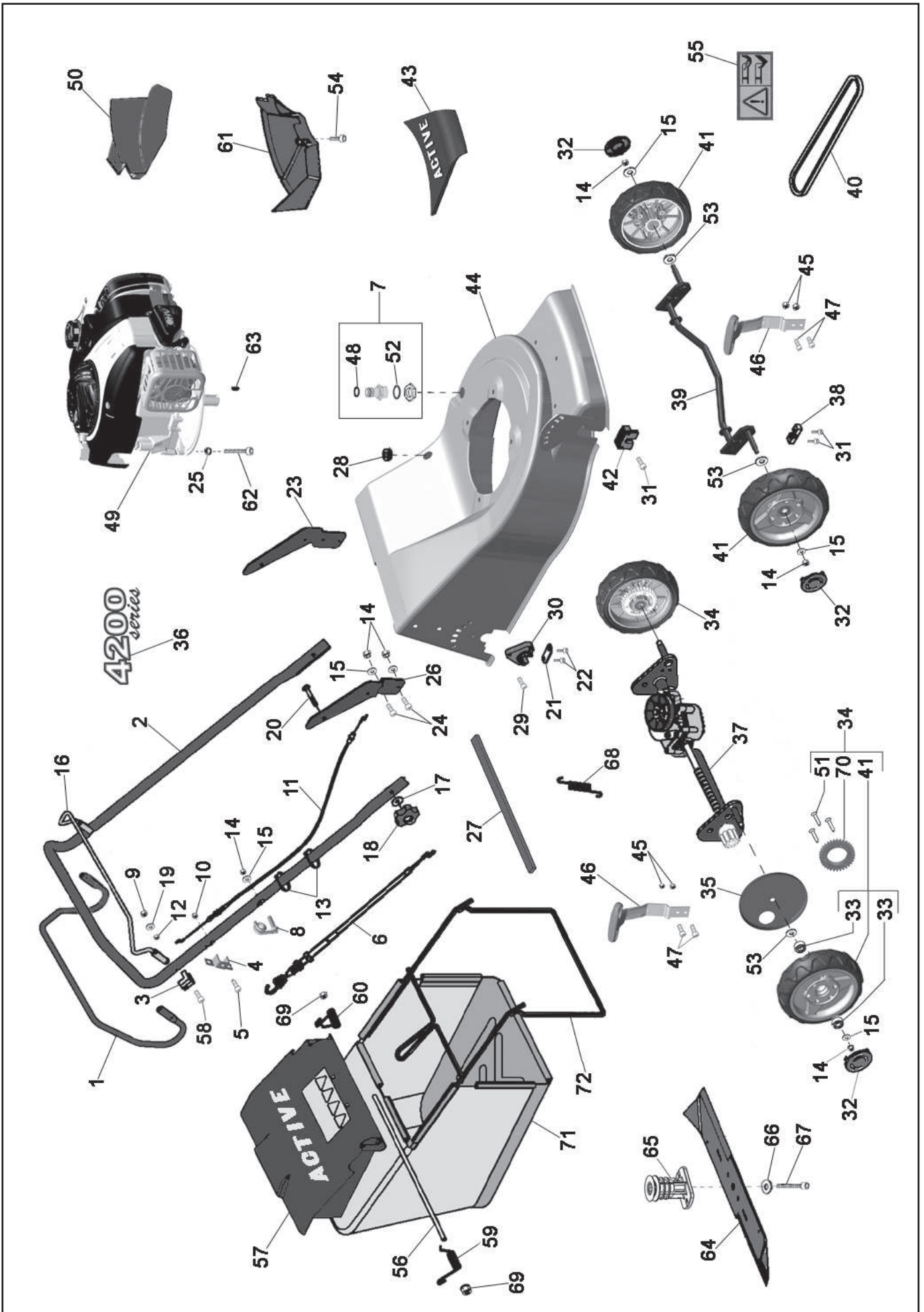
NOTE - NOTES



Valido dal N° di serie
A partir de N° de matricule suivant
From serial N°

42SB130001

Rasaerba - Tondeuses - Lawn mowers (4200 SB)



Rasaerba - Tondeuses - Lawn mowers (4200 SB)

RIF. REF.	COD. N° / P P / N°	Q.	DESCRIZIONE - DESCRIPTION	RIF. REF.	COD. N° / P P / N°	Q.	DESCRIZIONE - DESCRIPTION
1	50177	1	MANIGLIA - POIGNEE - HANDLE	38	50459	2	SUPPORTO - SUPPORT - BRACKET
2	50380	1	MANUBRIO - GUIDON - HANDLE BAR	39	50410	1	ASSALE - AXE - AXLE
3	50558	2	STAFFA - ETRIER - STIRRUP	40	50882	1	CINGHIA - COURROIE - BELT
4	50206	1	STAFFA - ETRIER - STIRRUP	41	50107	2	RUOTA - ROUE - WHEEL
5	40092	1	VITE - VIS - SCREW	42	50458	2	SUPPORTO - SUPPORT - BRACKET
6	50475	1	CAVO - CABLE (Trazione - Traction)	43	50479	1	CARTER - CAPOT - COVER
7	50209	1	ATTACCO ACQUA - RACCORDEMENT à L'EAU - WATER CONNECTION	44	50414	1	CARTER - CAPOT - HOUSING (Rosso - Red)
8	50105	1	GUIDA - SUPPORT - BRACKET	44	50585	1	CARTER - CAPOT - HOUSING (Grigio - Gray)
9	31216	2	DADO - ECROU - NUT	45	20289	4	DADO - ECROU - NUT
10	20176	1	DADO - ECROU - NUT	46	50429	2	LEVA - LEVIER - LEVER
11	50095	1	CAVO - CABLE (Freno - Brake)	47	22798	4	VITE - VIS - SCREW
12	20917	2	DADO - ECROU - NUT	48	23755	1	GOMMINO - CAOUTCHOUC - RUBBER
13	50314	2	FASCETTA - CLIP	49	50242	1	MOTORE - MOTEUR - ENGINE
14	20788	9	DADO - ECROU - NUT	50	50568	1	TAPPO MULCHING - FERMATURE - MULCHING PLUG
15	20711	9	RONDELLA - RONDELLE - WASHER	51	50640	6	VITE - VIS - SCREW
16	50175	1	MANIGLIA - POIGNEE - HANDLE	52	23758	1	GOMMINO - CAOUTCHOUC - RUBBER
17	21686	2	RONDELLA - RONDELLE - WASHER	53	20790	4	RONDELLA - RONDELLE - WASHER
18	50025	2	MANOPOLA - POIGNEE - HANDLE	54	50659	1	VITE - VIS - SCREW
19	21139	2	RONDELLA - RONDELLE - WASHER	55	50909	1	ADESIVO - ADHESIF - ADHESIVE
20	50668	2	VITE - VIS - SCREW	56	50441	1	PERNO - PIVOT - PIN
21	50042	2	PIASTRA - PLAQUE - PLATE	57	50460	1	DEFLETTORE - DEFLECTEUR - DEFLECTOR
22	50657	4	VITE - VIS - SCREW	58	22045	2	VITE - VIS - SCREW
23	50439	1	MANUBRIO - GUIDON - HANDLE BAR (SX)	59	50461	1	MOLLA - RESSORT - SPRING (DX)
24	40007	4	VITE - VIS - SCREW	60	50597	1	MOLLA - RESSORT - SPRING (SX)
25	50666	3	DADO - ECROU - NUT	61	50412	1	CARTER - CAPOT - COVER
26	50437	1	MANUBRIO - GUIDON - HANDLE BAR (DX)	62	40720	3	VITE - VIS - SCREW
27	50880	1	GOMMA ADESIVA - CAOUTCHOUC - RUBBER	63	50305	1	CHIAVETTA - CLAVETTE - KEY
28	50469	1	GOMMINO - CAOUTCHOUC - RUBBER	64	50417	1	LAMA - LAME - BLADE (41 cm)
29	50656	2	VITE - VIS - SCREW	65	50607	1	MOZZO - MOYEUR - HUB (Ø22,2)
30	50457	2	SUPPORTO - SUPPORT - BRACKET	66	50538	1	RONDELLA - RONDELLE - WASHER
31	50662	6	VITE - VIS - SCREW	67	50641	1	VITE - VIS - SCREW
32	50020	4	COPRI MOZZO - COUVERCLE - WHEEL COVER	68	50448	1	MOLLA - RESSORT - SPRING
33	50155	8	CUSCINETTO - ROULEMENT - BEARING	69	50663	2	DADO - ECROU - NUT
34	50108	2	RUOTA - ROUE - WHEEL	70	50529	2	CORONA - COURONNE - CROWN
35	50174	2	PARAPOLVERE - PROTECTION - GUARD	71	50463	1	TELA - TOILE - CANVAS (Verde - Green)
36	50154	1	ADESIVO - ADHESIF - ADHESIVE	71	50728	1	TELA - TOILE - CANVAS (Nera - Black)
37	50379	1	KIT: CAMBIO - BOITE DE VIT. - GEARBOX	72	50149	1	TELAIO - CHASSIS - FRAME

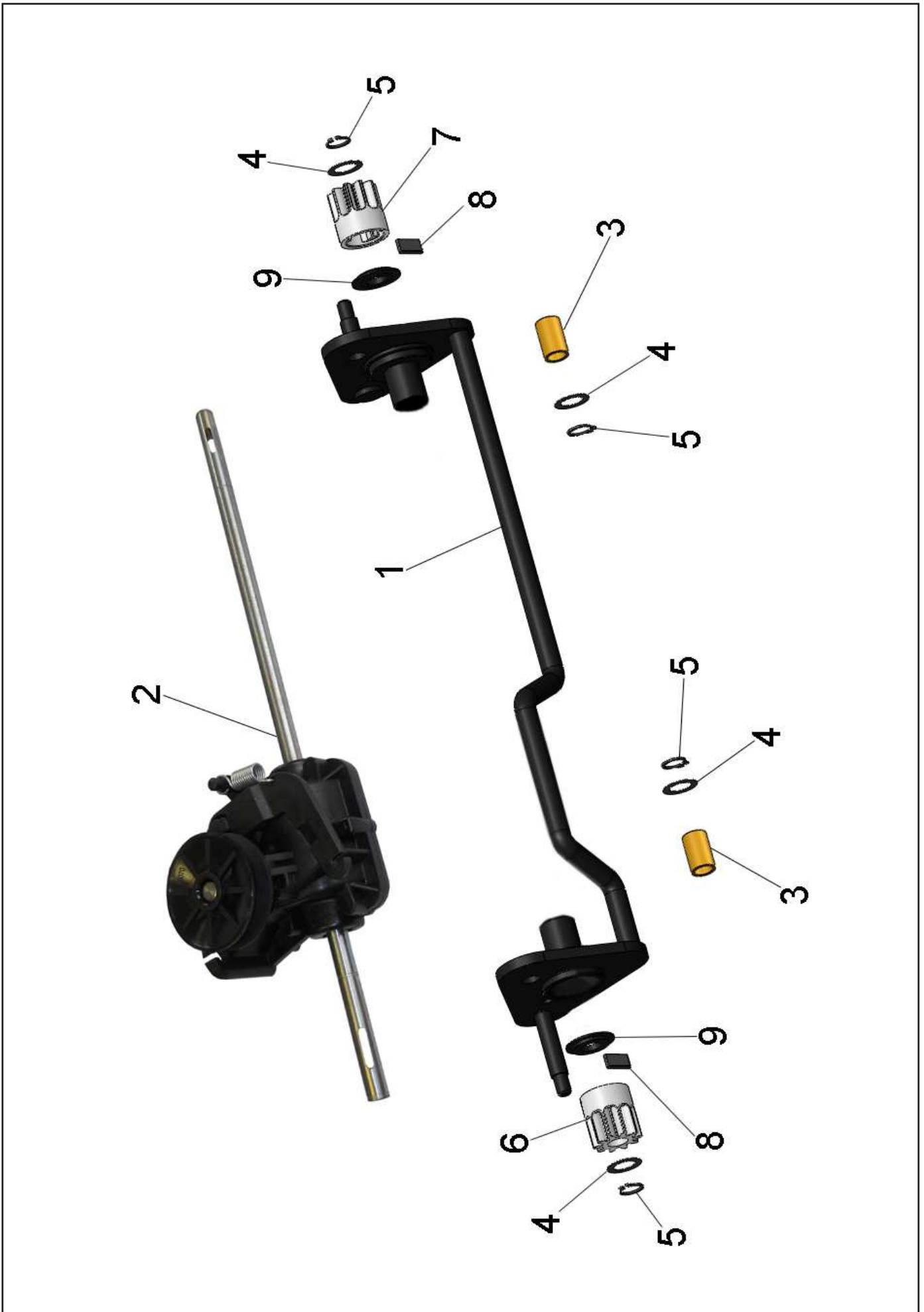
NOTE - NOTES



Valido dal N° di serie
A partir de N° de matricule suivant
From serial N°

42SB140001

50379 Trasmissione - Transmission - Transmission

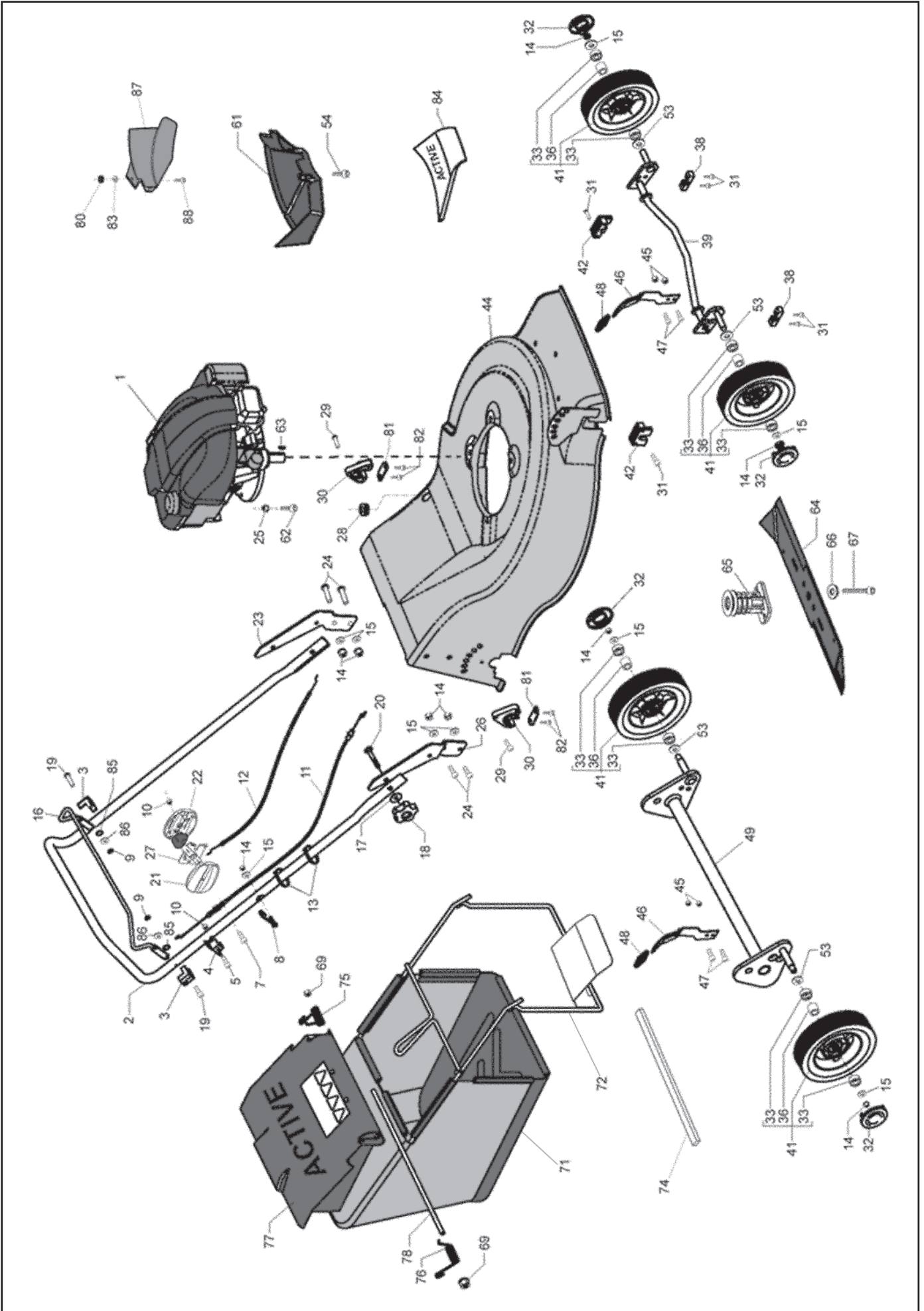


50379 Trasmissione - Transmission - Transmission

RIF. REF.	COD. N° / P P / N°	Q.	DESCRIZIONE - DESCRIPTION	RIF. REF.	COD. N° / P P / N°	Q.	DESCRIZIONE - DESCRIPTION
1	50434	1	ASSALE - AXE - AXLE	6	50527	1	PIGNONE - PIGNON - PINION (SX)
2	50245	1	TRASMISSIONE - BOITE DE VIT. - GEARBOX	7	50528	1	PIGNONE - PIGNON - PINION (DX)
3	50541	2	BUSSOLA - ENTRETOISE - SPACER	8	50188	2	CHIAVETTA - CLAVETTE - KEY
4	50678	4	RONDELLA - RONDELLE - WASHER	9	50186	2	PROTEZIONE - PROTECTION - GUARD
5	20218	4	SEEGER				

NOTE - NOTES

Rasaerba - Tondeuses - Lawn mowers (4300 B)



Rasaerba - Tondeuses - Lawn mowers (4300 B)

RIF. REF.	COD. N° / P P / N°	Q.	DESCRIZIONE - DESCRIPTION	RIF. REF.	COD. N° / P P / N°	Q.	DESCRIZIONE - DESCRIPTION
1	50601	1	MOTORE - MOTEUR - ENGINE	42	50458	2	SUPPORTO - SUPPORT - BRACKET
2	50380	1	MANUBRIO - GUIDON - HANDLE BAR	44	50414	1	CARTER - CAPOT - HOUSING (Rosso - Red)
3	50558	2	STAFFA - ETRIER - STIRRUP		50585		CARTER - CAPOT - HOUSING (Grigio - Gray)
4	50206	1	STAFFA - ETRIER - STIRRUP	45	20289	4	DADO - ECROU - NUT
5	40092	1	VITE - VIS - SCREW	46	50430	2	LEVA - LEVIER - LEVER
7	20190	1	VITE - VIS - SCREW	47	22798	4	VITE - VIS - SCREW
8	50105	1	GUIDA - SUPPORT - BRACKET	48	50018	2	IMPUGNATURA - POIGNEE GUIDON - HANDLE
9	31216	2	DADO - ECROU - NUT	49	50423	1	ASSALE - AXE - AXLE
10	20176	2	DADO - ECROU - NUT	53	20790	4	RONDELLA - RONDELLE - WASHER
11	50095	1	CAVO - CABLE (Freno - Brake)	54	50659	1	VITE - VIS - SCREW
12	50711	1	CAVO - CABLE (Gas)	61	50412	1	CARTER - CAPOT - COVER
13	50314	2	FASCETTA - CLIP	62	40720	3	VITE - VIS - SCREW
14	20788	9	DADO - ECROU - NUT	63	50305	1	CHIAVETTA - CLAVETTE - KEY
15	20711	9	RONDELLA - RONDELLE - WASHER	64	50417	1	LAMA - LAME - BLADE (41 cm)
16	50175	1	MANIGLIA - POIGNEE - HANDLE	65	50607	1	MOZZO - MOYEUR - HUB (Ø22,2)
17	21686	2	RONDELLA - RONDELLE - WASHER	66	50538	1	RONDELLA - RONDELLE - WASHER
18	50025	2	MANOPOLA - POIGNEE - HANDLE	67	50641	1	VITE - VIS - SCREW
19	50830	2	VITE - VIS - SCREW	69	50663	2	DADO - ECROU - NUT
20	50668	2	VITE - VIS - SCREW	71	50463	1	TELA - TOILE - CANVAS (Verde - Green)
21	50104	1	CARTER (DX)		50728		TELA - TOILE - CANVAS (Nera - Black)
22	50103	1	CARTER (SX)	72	50741	1	TELAIO - CHASSIS - FRAME
23	50439	1	MANUBRIO - GUIDON - HANDLE BAR (SX)	74	50880	1	GOMMA ADESIVA - CAOUTCHOUC - RUBBER
24	40007	4	VITE - VIS - SCREW	75	50597	1	MOLLA - RESSORT - SPRING
25	50666	3	DADO - ECROU - NUT	76	50461	1	MOLLA - RESSORT - SPRING
26	50437	1	MANUBRIO - GUIDON - HANDLE BAR (DX)	77	50460	1	DEFLETTORE - DEFLECTEUR - DEFLECTOR
27	50094	1	LEVA GAS - LEVIER GAS - GAS LEVER	78	50441	1	PERNO - PIVOT - PIN
28	50469	1	GOMMINO - CAOUTCHOUC - RUBBER	80	50660	1	MANOPOLA - POIGNEE - HANDLE
29	50656	2	VITE - VIS - SCREW	81	50042	2	PIASTRA - PLAQUE - PLATE
30	50457	2	SUPPORTO - SUPPORT - BRACKET	82	50657	4	VITE - VIS - SCREW
31	50662	6	VITE - VIS - SCREW	83	20316	1	RONDELLA - RONDELLE - WASHER
32	50020	4	COPRI MOZZO - COUVERCLE - WHEEL COVER	84	50479	1	CARTER - CAPOT - COVER
33	50667	8	CUSCINETTO - ROULEMENT - BEARING	85	50761	2	RONDELLA - RONDELLE - WASHER
36	50544	4	DISTANZIALE - ENTRETOISE - SPACER	86	21139	4	RONDELLA - RONDELLE - WASHER
38	50459	2	SUPPORTO - SUPPORT - BRACKET	87	50468	1	TAPPO MULCHING - FERMATURE - MULCHING PLUG
39	50410	1	ASSALE - AXE - AXLE	88	50658	1	VITE - VIS - SCREW
41	50690	4	RUOTA - ROUE - WHEEL				

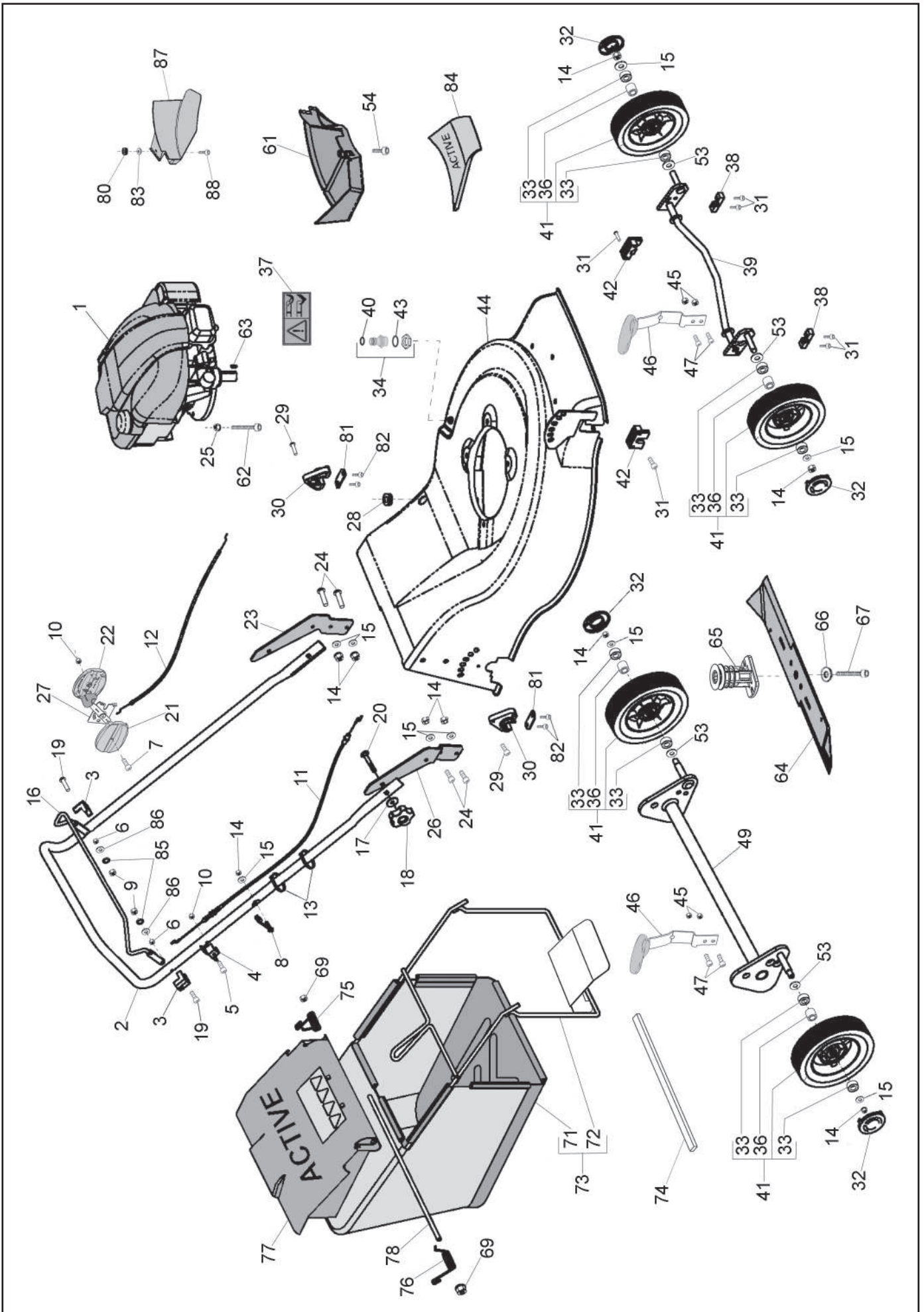
NOTE - NOTES



Valido dal N° di serie
A partir de N° de matricule suivant
From serial N°

43XB10001

Rasaerba - Tondeuses - Lawn mowers (4300 B)



Rasaerba - Tondeuses - Lawn mowers (4300 B)

RIF. REF.	COD. N° / P P / N°	Q.	DESCRIZIONE - DESCRIPTION	RIF. REF.	COD. N° / P P / N°	Q.	DESCRIZIONE - DESCRIPTION
1	50601	1	MOTORE - MOTEUR - ENGINE	40	23755	1	GOMMINO - CAOUTCHOUC - RUBBER
2	50380	1	MANUBRIO - GUIDON - HANDLE BAR	41	50690	4	RUOTA - ROUE - WHEEL
3	50558	2	STAFFA - ETRIER - STIRRUP	42	50458	2	SUPPORTO - SUPPORT - BRACKET
4	50206	1	STAFFA - ETRIER - STIRRUP	43	23758	1	GOMMINO - CAOUTCHOUC - RUBBER
5	40092	1	VITE - VIS - SCREW	44	50414	1	CARTER - CAPOT - HOUSING (Rosso - Red)
6	20917	2	DADO - ECROU - NUT		50585		CARTER - CAPOT - HOUSING (Grigio - Gray)
7	20190	1	VITE - VIS - SCREW	45	20289	4	DADO - ECROU - NUT
8	50105	1	GUIDA - SUPPORT - BRACKET	46	50429	2	LEVA - LEVIER - LEVER
9	31216	2	DADO - ECROU - NUT	47	22798	4	VITE - VIS - SCREW
10	20176	2	DADO - ECROU - NUT	49	50423	1	ASSALE - AXE - AXLE
11	50095	1	CAVO - CABLE (Freno - Brake)	53	20790	4	RONDELLA - RONDELLE - WASHER
12	50711	1	CAVO - CABLE (Gas)	54	50659	1	VITE - VIS - SCREW
13	50314	2	FASCETTA - CLIP	61	50412	1	CARTER - CAPOT - COVER
14	20788	9	DADO - ECROU - NUT	62	40720	3	VITE - VIS - SCREW
15	20711	9	RONDELLA - RONDELLE - WASHER	63	50305	1	CHIAVETTA - CLAVETTE - KEY
16	50175	1	MANIGLIA - POIGNEE - HANDLE	64	50417	1	LAMA - LAME - BLADE (41 cm)
17	21686	2	RONDELLA - RONDELLE - WASHER	65	50607	1	MOZZO - MOYEUR - HUB (Ø22,2)
18	50025	2	MANOPOLA - POIGNEE - HANDLE	66	50538	1	RONDELLA - RONDELLE - WASHER
19	50830	2	VITE - VIS - SCREW	67	50641	1	VITE - VIS - SCREW
20	50668	2	VITE - VIS - SCREW	69	50663	2	DADO - ECROU - NUT
21	50104	1	CARTER (DX)	71	50463	1	TELA - TOILE - CANVAS (Verde - Green)
22	50103	1	CARTER (SX)		50728		TELA - TOILE - CANVAS (Nera - Black)
23	50439	1	MANUBRIO - GUIDON - HANDLE BAR (SX)	72	50741	1	TELAIO - CHASSIS - FRAME
24	40007	4	VITE - VIS - SCREW	74	50880	1	GOMMA ADESIVA - CAOUTCHOUC - RUBBER
25	50666	3	DADO - ECROU - NUT	75	50597	1	MOLLA - RESSORT - SPRING
26	50437	1	MANUBRIO - GUIDON - HANDLE BAR (DX)	76	50461	1	MOLLA - RESSORT - SPRING
27	50094	1	LEVA GAS - LEVIER GAS - GAS LEVER	77	50460	1	DEFLETTORE - DEFLECTEUR - DEFLECTOR
28	50469	1	GOMMINO - CAOUTCHOUC - RUBBER	78	50441	1	PERNO - PIVOT - PIN
29	50656	2	VITE - VIS - SCREW	80	50660	1	MANOPOLA - POIGNEE - HANDLE
30	50457	2	SUPPORTO - SUPPORT - BRACKET	81	50042	2	PIASTRA - PLAQUE - PLATE
31	50662	6	VITE - VIS - SCREW	82	50657	4	VITE - VIS - SCREW
32	50020	4	COPRI MOZZO - COUVERCLE - WHEEL COVER	83	20316	1	RONDELLA - RONDELLE - WASHER
33	50667	8	CUSCINETTO - ROULEMENT - BEARING	84	50479	1	CARTER - CAPOT - COVER
34	50209	1	ATTACCOACQUA - RACCORDEMENT à L'EAU - WATER CONNECTION	85	50761	2	RONDELLA - RONDELLE - WASHER
36	50544	4	DISTANZIALE - ENTRETOISE - SPACER	86	21139	2	RONDELLA - RONDELLE - WASHER
37	50909	1	ADESIVO - ADHESIF - ADHESIVE	87	50468	1	TAPPO MULCHING - FERMATURE - MULCHING PLUG
38	50459	2	SUPPORTO - SUPPORT - BRACKET	88	50658	1	VITE - VIS - SCREW
39	50410	1	ASSALE - AXE - AXLE				

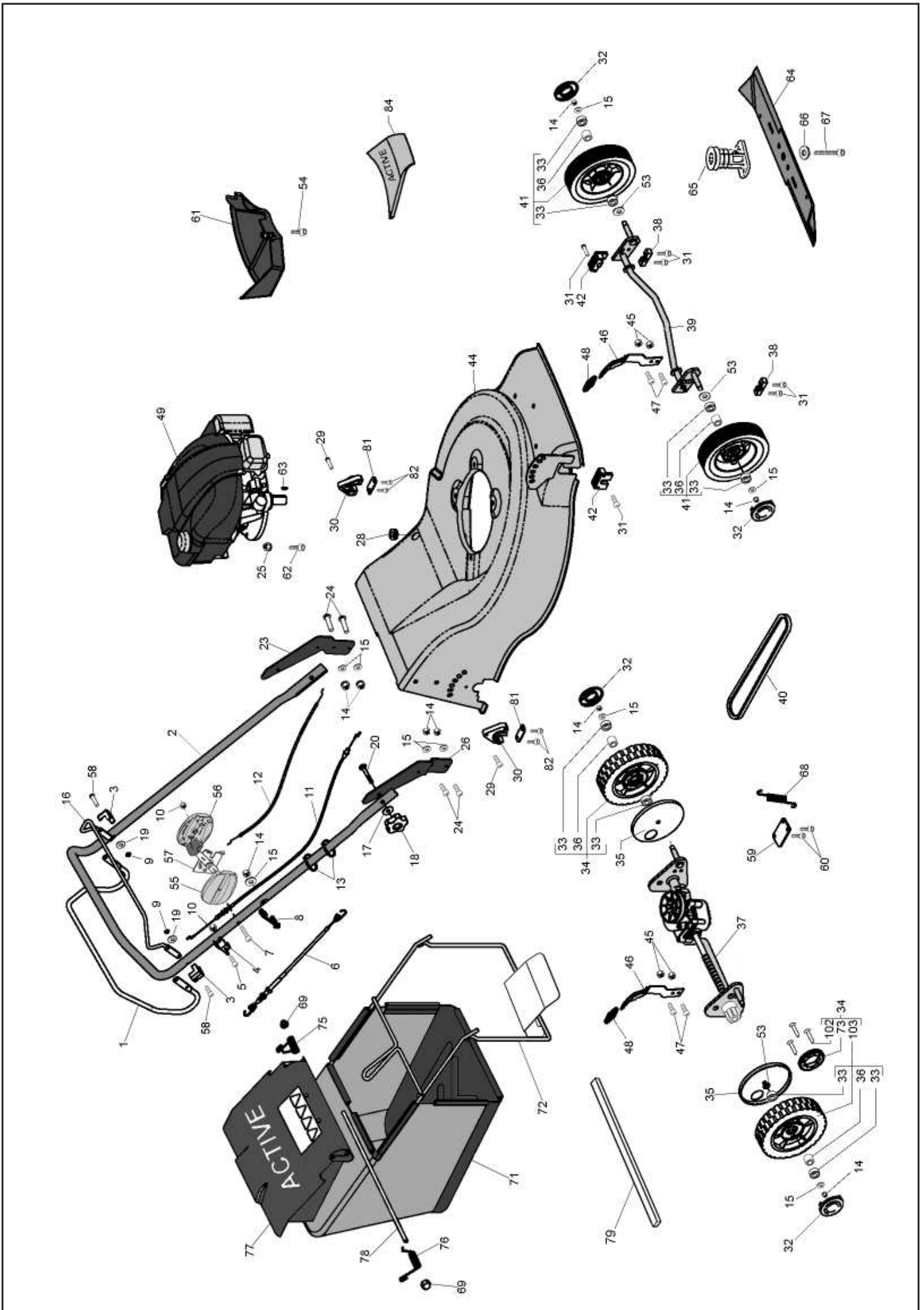
NOTE - NOTES



Valido dal N° di serie
A partir de N° de matricule suivant
From serial N°

43XB130001

Rasaerba - Tondeuses - Lawn mowers (4300 SB)



Rasaerba - Tondeuses - Lawn mowers (4300 SB)

RIF. REF.	COD. N° / P P / N°	Q.	DESCRIZIONE - DESCRIPTION	RIF. REF.	COD. N° / P P / N°	Q.	DESCRIZIONE - DESCRIPTION
1	50177	1	MANIGLIA - POIGNEE - HANDLE	44	50414	1	CARTER - CAPOT - HOUSING (Rosso - Red)
2	50380	1	MANUBRIO - GUIDON - HANDLE BAR		50585		CARTER - CAPOT - HOUSING (Grigio - Gray)
3	50558	2	STAFFA - ETRIER - STIRRUP	45	20289	4	DADO - ECROU - NUT
4	50206	1	STAFFA - ETRIER - STIRRUP	46	50430	2	LEVA - LEVIER - LEVER
5	40092	1	VITE - VIS - SCREW	47	22798	4	VITE - VIS - SCREW
6	50472	1	CAVO - CABLE (Trazione - Traction)	48	50018	2	IMPUGNATURA - POIGNEE GUIDON - HANDLE
7	20190	1	VITE - VIS - SCREW	49	50601	1	MOTORE - MOTEUR - ENGINE
8	50105	1	GUIDA - SUPPORT - BRACKET	53	20790	4	RONDELLA - RONDELLE - WASHER
9	31216	2	DADO - ECROU - NUT	54	50659	1	VITE - VIS - SCREW
10	20176	2	DADO - ECROU - NUT	55	50104	1	CARTER (DX)
11	50095	1	CAVO - CABLE (Freno - Brake)	56	50103	1	CARTER (SX)
12	50711	1	CAVO - CABLE (Gas)	57	50094	1	LEVA GAS - LEVIER GAS - GAS LEVER
13	50314	2	FASCETTA - CLIP	58	50830	2	VITE - VIS - SCREW
14	20788	9	DADO - ECROU - NUT	59	50447	1	PIASTRA - PLAQUE - PLATE
15	20711	9	RONDELLA - RONDELLE - WASHER	60	20272	2	VITE - VIS - SCREW
16	50175	1	MANIGLIA - POIGNEE - HANDLE	61	50412	1	CARTER - CAPOT - COVER
17	21686	2	RONDELLA - RONDELLE - WASHER	62	40720	3	VITE - VIS - SCREW
18	50025	2	MANOPOLA - POIGNEE - HANDLE	63	50305	1	CHIAVETTA - CLAVETTE - KEY
19	21139	6	RONDELLA - RONDELLE - WASHER	64	50417	1	LAMA - LAME - BLADE (41 cm)
20	50668	2	VITE - VIS - SCREW	65	50607	1	MOZZO - MOYEUR - HUB (Ø22,2)
23	50439	1	MANUBRIO - GUIDON - HANDLE BAR (SX)	66	50538	1	RONDELLA - RONDELLE - WASHER
24	40007	4	VITE - VIS - SCREW	67	50641	1	VITE - VIS - SCREW
25	50666	3	DADO - ECROU - NUT	68	50448	1	MOLLA - RESSORT - SPRING
26	50437	1	MANUBRIO - GUIDON - HANDLE BAR (DX)	69	50663	2	DADO - ECROU - NUT
28	50469	1	GOMMINO - CAOUTCHOUC - RUBBER	71	50463	1	TELA - TOILE - CANVAS (Verde - Green)
29	50656	2	VITE - VIS - SCREW		50728		TELA - TOILE - CANVAS (Nera - Black)
30	50457	2	SUPPORTO - SUPPORT - BRACKET	72	50741	1	TELAIO - CHASSIS - FRAME
31	50662	6	VITE - VIS - SCREW	73	50529	2	CORONA - COURONNE - CROWN
32	50020	4	COPRI MOZZO - COUVERCLE - WHEEL COVER	75	50597	1	MOLLA - RESSORT - SPRING (SX)
33	50667	8	CUSCINETTO - ROULEMENT - BEARING	76	50461	1	MOLLA - RESSORT - SPRING (DX)
34	50692	2	RUOTA - ROUE - WHEEL	77	50460	1	DEFLETTORE - DEFLECTEUR - DEFLECTOR
35	50174	2	PARAPOLVERE - PROTECTION - GUARD	78	50441	1	PERNO - PIVOT - PIN
36	50544	4	DISTANZIALE - ENTRETOISE - SPACER	79	50880	1	GOMMA ADESIVA - CAOUTCHOUC - RUBBER
37	50009	1	KIT : CAMBIO - BOITE DE VIT. - GEARBOX	81	50042	2	PIASTRA - PLAQUE - PLATE
38	50459	2	SUPPORTO - SUPPORT - BRACKET	82	50657	4	VITE - VIS - SCREW
39	50410	1	ASSALE - AXE - AXLE	84	50479	1	CARTER - CAPOT - COVER
40	50747	1	CINGHIA - COURROIE - BELT	102	50640	6	VITE - VIS - SCREW
41	50690	2	RUOTA - ROUE - WHEEL	103	50700	2	RUOTA - ROUE - WHEEL
42	50458	2	SUPPORTO - SUPPORT - BRACKET				

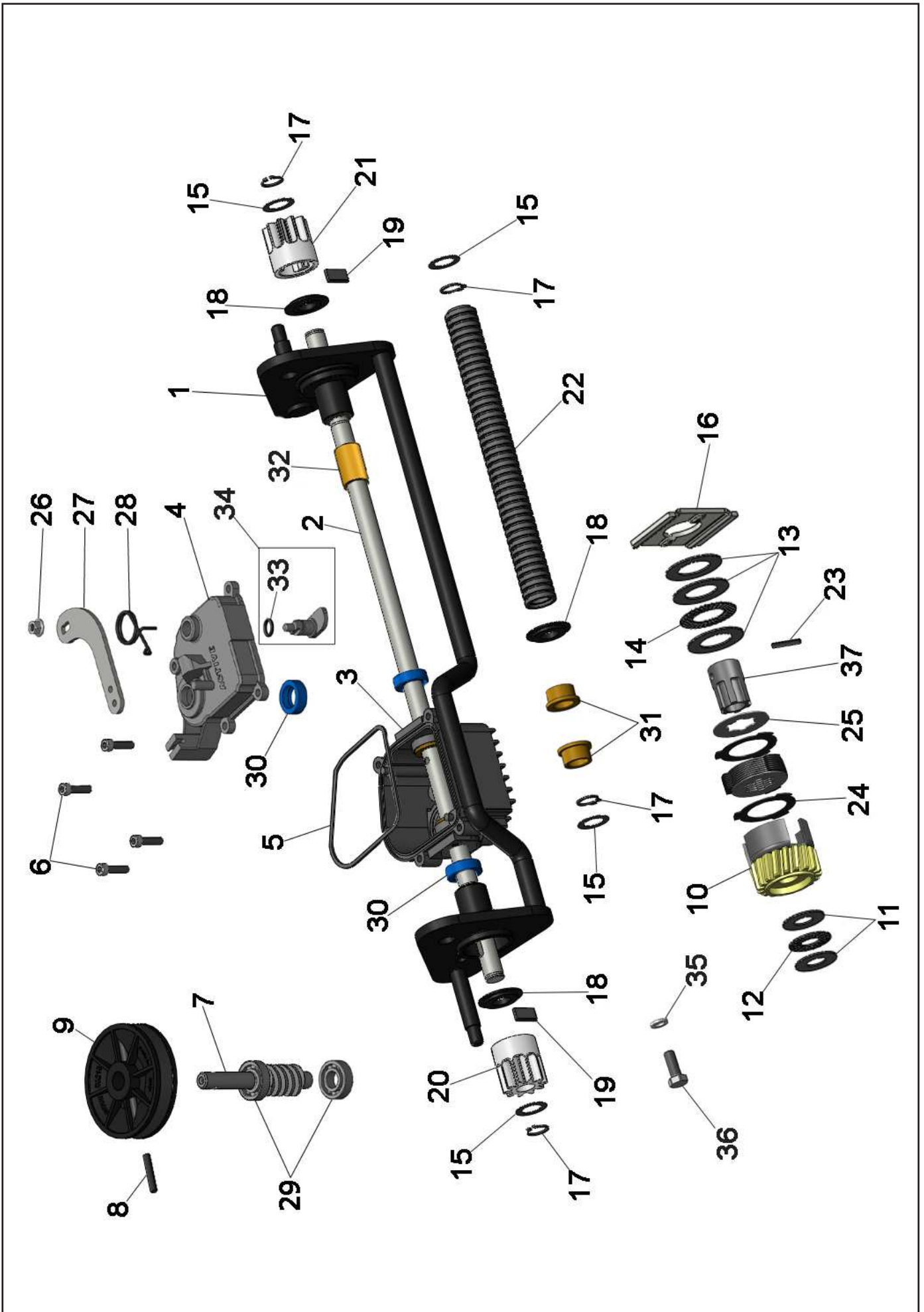
NOTE - NOTES



Valido dal N° di serie
A partir de N° de matricule suivant
From serial N°

43SB100001

50009 Trasmissione - Transmission - Transmission

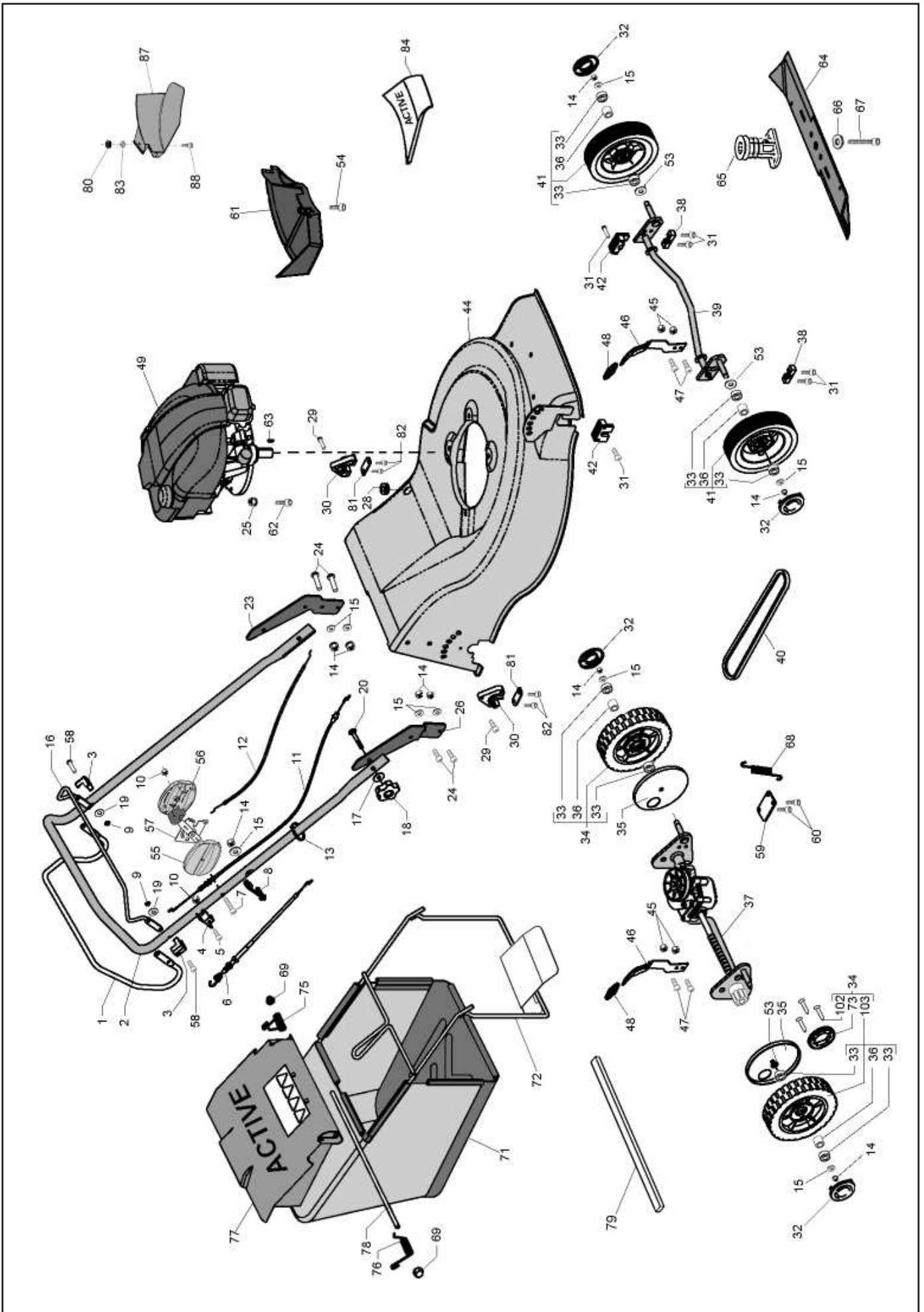


50009 Trasmissione - Transmission - Transmission

RIF. REF.	COD. N° / P P / N°	Q.	DESCRIZIONE - DESCRIPTION	RIF. REF.	COD. N° / P P / N°	Q.	DESCRIZIONE - DESCRIPTION
1	50434	1	ASSALE - AXE - AXLE	20	50527	1	PIGNONE - PIGNON - PINION (SX)
2	50575	1	ALBERO - ARBRE - SHAFT	21	50528	1	PIGNONE - PIGNON - PINION (DX)
3	50606	1	SCATOLA - BOITE - BOX	22	50109	1	PROTEZIONE - PROTECTION - GUARD
4	50229	1	COPERCHIO - COUVERTURE - COVER	23	50295	1	SPINA ELAST. - GOUPILLES - ELAST.PIN
5	50321	1	GUARNIZIONE - JOINT - GASKET	24	50706	10	DISCO - DISK
6	20001	4	VITE - VIS - SCREW	25	50707	10	DISCO - DISK
7	50524	1	VITE S.F. - VIS - SCREW	26	50519	1	DADO - ECROU - NUT
8	50298	1	SPINA ELAST. - GOUPILLES - ELAST.PIN	27	50255	1	LEVA - LEVIER - LEVER
9	50216	1	PULEGGIA - PUOLIE - PULLEY (Ø71)	28	50310	1	MOLLA - RESSORT - SPRING
10	50281	1	ASSIEME CAMPANA - TAMBOUR - DRUM	29	22511	2	CUSCINETTO - ROULEMENT - BEARING
11	50303	1	RONDELLA - RONDELLE - WASHER	30	50320	3	ANELLO DI TENUTA - JOINT - SEAL
12	50521	1	CUSCINETTO - ROULEMENT - BEARING	31	50540	2	BUSSOLA - ENTRETOISE - SPACER
13	50261	3	RONDELLA - RONDELLE - WASHER	32	50541	2	BUSSOLA - ENTRETOISE - SPACER
14	50522	1	CUSCINETTO - ROULEMENT - BEARING	33	20324	1	O-RING
15	50678	4	RASAMENTO - RONDELLE - WASHER SHIMS	34	50179	1	LEVA - LEVIER - LEVER
16	50546	1	LEVA - LEVIER - LEVER	35	50772	1	RONDELLA - RONDELLE - WASHER
17	20218	4	SEEGER	36	50771	1	VITE - VIS - SCREW
18	50186	3	PROTEZIONE - PROTECTION - GUARD	37	50284	1	BUSSOLA - ENTRETOISE - SPACER
19	50188	2	CHIAVETTA - CLAVETTE - KEY				

NOTE - NOTES

Rasaerba - Tondeuses - Lawn mowers (4300 SB)



Rasaerba - Tondeuses - Lawn mowers (4300 SB)

RIF. REF.	COD. N° / P P / N°	Q.	DESCRIZIONE - DESCRIPTION	RIF. REF.	COD. N° / P P / N°	Q.	DESCRIZIONE - DESCRIPTION
1	50177	1	MANIGLIA - POIGNEE - HANDLE	45	20289	4	DADO - ECROU - NUT
2	50380	1	MANUBRIO - GUIDON - HANDLE BAR	46	50430	2	LEVA - LEVIER - LEVER
3	50558	2	STAFFA - ETRIER - STIRRUP	47	22798	4	VITE - VIS - SCREW
4	50206	1	STAFFA - ETRIER - STIRRUP	48	50018	2	IMPUGNATURA - POIGNEE GUIDON - HANDLE
5	40092	1	VITE - VIS - SCREW	49	50601	1	MOTORE - MOTEUR - ENGINE
6	50472	1	CAVO - CABLE (Trazione - Traction)	53	20790	4	RONDELLA - RONDELLE - WASHER
7	20190	1	VITE - VIS - SCREW	54	50659	1	VITE - VIS - SCREW
8	50105	1	GUIDA - SUPPORT - BRACKET	55	50104	1	CARTER (DX)
9	31216	2	DADO - ECROU - NUT	56	50103	1	CARTER (SX)
10	20176	2	DADO - ECROU - NUT	57	50094	1	LEVA GAS - LEVIER GAS - GAS LEVER
11	50095	1	CAVO - CABLE (Freno - Brake)	58	50830	2	VITE - VIS - SCREW
12	50711	1	CAVO - CABLE (Gas)	59	50447	1	PIASTRA - PLAQUE - PLATE
13	50314	2	FASCETTA - CLIP	60	20272	2	VITE - VIS - SCREW
14	20788	9	DADO - ECROU - NUT	61	50412	1	CARTER - CAPOT - COVER
15	20711	9	RONDELLA - RONDELLE - WASHER	62	40720	3	VITE - VIS - SCREW
16	50175	1	MANIGLIA - POIGNEE - HANDLE	63	50305	1	CHIAVETTA - CLAVETTE - KEY
17	21686	2	RONDELLA - RONDELLE - WASHER	64	50417	1	LAMA - LAME - BLADE (41 cm)
18	50025	2	MANOPOLA - POIGNEE - HANDLE	65	50607	1	MOZZO - MOYEUR - HUB (Ø22,2)
19	21139	6	RONDELLA - RONDELLE - WASHER	66	50538	1	RONDELLA - RONDELLE - WASHER
20	50668	2	VITE - VIS - SCREW	67	50641	1	VITE - VIS - SCREW
23	50439	1	MANUBRIO - GUIDON - HANDLE BAR (SX)	68	50448	1	MOLLA - RESSORT - SPRING
24	40007	4	VITE - VIS - SCREW	69	50663	2	DADO - ECROU - NUT
25	50666	3	DADO - ECROU - NUT	71	50463	1	TELA - TOILE - CANVAS (Verde - Green)
26	50437	1	MANUBRIO - GUIDON - HANDLE BAR (DX)	71	50728	1	TELA - TOILE - CANVAS (Nera - Black)
28	50469	1	GOMMINO - CAOUTCHOUC - RUBBER	72	50741	1	TELAIO - CHASSIS - FRAME
29	50656	2	VITE - VIS - SCREW	73	50529	2	CORONA - COURONNE - CROWN
30	50457	2	SUPPORTO - SUPPORT - BRACKET	75	50597	1	MOLLA - RESSORT - SPRING (SX)
31	50662	6	VITE - VIS - SCREW	76	50461	1	MOLLA - RESSORT - SPRING (DX)
32	50020	4	COPRI MOZZO - COUVERCLE - WHEEL COVER	77	50460	1	DEFLETTORE - DEFLECTEUR - DEFLECTOR
33	50667	8	CUSCINETTO - ROULEMENT - BEARING	78	50441	1	PERNO - PIVOT - PIN
34	50692	2	RUOTA - ROUE - WHEEL	79	50880	1	GOMMA ADESIVA - CAOUTCHOUC - RUBBER
35	50174	2	PARAPOLVERE - PROTECTION - GUARD	80	50660	1	MANOPOLA - POIGNEE - HANDLE
36	50544	4	DISTANZIALE - ENTRETOISE - SPACER	81	50042	2	PIASTRA - PLAQUE - PLATE
37	50954	1	KIT : CAMBIO - BOITE DE VIT. - GEARBOX	82	50657	4	VITE - VIS - SCREW
38	50459	2	SUPPORTO - SUPPORT - BRACKET	83	20316	1	RONDELLA - RONDELLE - WASHER
39	50410	1	ASSALE - AXE - AXLE	84	50479	1	CARTER - CAPOT - COVER
40	50882	1	CINGHIA - COURROIE - BELT	87	50468	1	TAPPO MULCHING - FERMATURE - MULCHING PLUG
41	50690	2	RUOTA - ROUE - WHEEL	88	50658	1	VITE - VIS - SCREW
42	50458	2	SUPPORTO - SUPPORT - BRACKET	102	50640	6	VITE - VIS - SCREW
44	50414	1	CARTER - CAPOT - HOUSING (Rosso - Red)	103	50700	2	RUOTA - ROUE - WHEEL
	50585		CARTER - CAPOT - HOUSING (Grigio - Gray)				

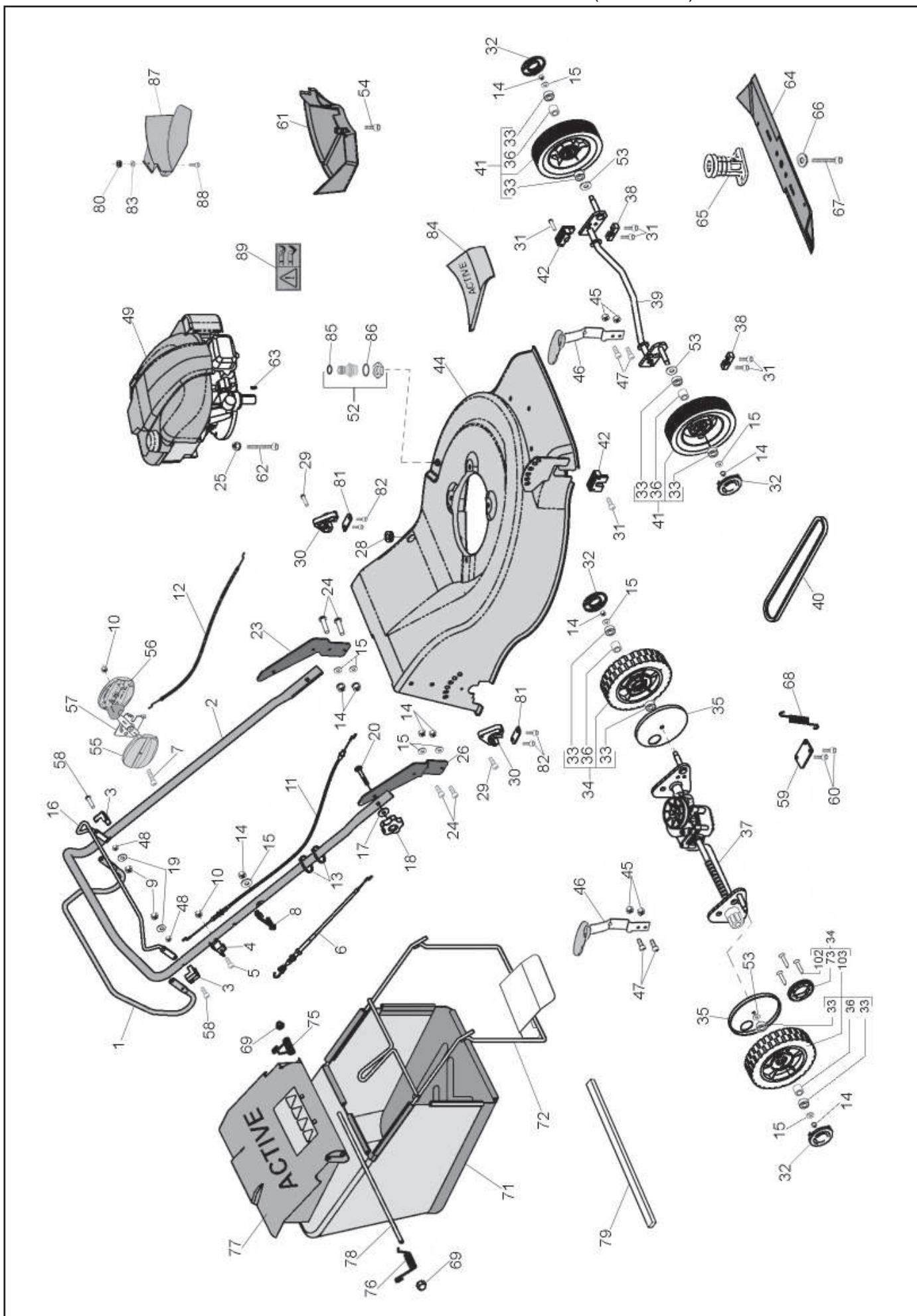
NOTE - NOTES



**Valido dal N° di serie
A partir de N° de matricule suivant
From serial N°**

43SB110001

Rasaerba - Tondeuses - Lawn mowers (4300 SB)



Rasaerba - Tondeuses - Lawn mowers (4300 SB)

RIF. REF.	COD. N° / P P / N°	Q.	DESCRIZIONE - DESCRIPTION	RIF. REF.	COD. N° / P P / N°	Q.	DESCRIZIONE - DESCRIPTION
1	50177	1	MANIGLIA - POIGNEE - HANDLE	47	22798	4	VITE - VIS - SCREW
2	50380	1	MANUBRIO - GUIDON - HANDLE BAR	48	20917	2	DADO - ECROU - NUT
3	50558	2	STAFFA - ETRIER - STIRRUP	49	50601	1	MOTORE - MOTEUR - ENGINE
4	50206	1	STAFFA - ETRIER - STIRRUP	52	50209	1	ATTACCO ACQUA - RACCORDEMENT à L'EAU - WATER CONNECTION
5	40092	1	VITE - VIS - SCREW	53	20790	4	RONDELLA - RONDELLE - WASHER
6	50472	1	CAVO - CABLE (Trazione - Traction)	54	50659	1	VITE - VIS - SCREW
7	20190	1	VITE - VIS - SCREW	55	50104	1	CARTER (DX)
8	50105	1	GUIDA - SUPPORT - BRACKET	56	50103	1	CARTER (SX)
9	31216	2	DADO - ECROU - NUT	57	50094	1	LEVA GAS - LEVIER GAS - GAS LEVER
10	20176	2	DADO - ECROU - NUT	58	22045	2	VITE - VIS - SCREW
11	50095	1	CAVO - CABLE (Freno - Brake)	59	50447	1	PIASTRA - PLAQUE - PLATE
12	50069	1	CAVO - CABLE (Gas)	60	20272	2	VITE - VIS - SCREW
13	50314	2	FASCETTA - CLIP	61	50412	1	CARTER - CAPOT - COVER
14	20788	9	DADO - ECROU - NUT	62	40720	3	VITE - VIS - SCREW
15	20711	9	RONDELLA - RONDELLE - WASHER	63	50305	1	CHIAVETTA - CLAVETTE - KEY
16	50175	1	MANIGLIA - POIGNEE - HANDLE	64	50417	1	LAMA - LAME - BLADE (41 cm)
17	21686	2	RONDELLA - RONDELLE - WASHER	65	50607	1	MOZZO - MOYEUR - HUB (Ø22,2)
18	50025	2	MANOPOLA - POIGNEE - HANDLE	66	50538	1	RONDELLA - RONDELLE - WASHER
19	21139	2	RONDELLA - RONDELLE - WASHER	67	50641	1	VITE - VIS - SCREW
20	50668	2	VITE - VIS - SCREW	68	50448	1	MOLLA - RESSORT - SPRING
23	50439	1	MANUBRIO - GUIDON - HANDLE BAR (SX)	69	50663	2	DADO - ECROU - NUT
24	40007	4	VITE - VIS - SCREW	71	50463	1	TELA - TOILE - CANVAS (Verde - Green)
25	50666	3	DADO - ECROU - NUT		50728		TELA - TOILE - CANVAS (Nera - Black)
26	50437	1	MANUBRIO - GUIDON - HANDLE BAR (DX)	72	50741	1	TELAIO - CHASSIS - FRAME
28	50469	1	GOMMINO - CAOUTCHOUC - RUBBER	73	50529	2	CORONA - COURONNE - CROWN
29	50656	2	VITE - VIS - SCREW	75	50597	1	MOLLA - RESSORT - SPRING (SX)
30	50457	2	SUPPORTO - SUPPORT - BRACKET	76	50461	1	MOLLA - RESSORT - SPRING (DX)
31	50662	6	VITE - VIS - SCREW	77	50460	1	DEFLETTORE - DEFLECTEUR - DEFLECTOR
32	50020	4	COPRI MOZZO - COUVERCLE - WHEEL COVER	78	50441	1	PERNO - PIVOT - PIN
33	50667	8	CUSCINETTO - ROULEMENT - BEARING	79	50880	1	GOMMA ADESIVA - CAOUTCHOUC - RUBBER
34	50692	2	RUOTA - ROUE - WHEEL	80	50660	1	MANOPOLA - POIGNEE - HANDLE
35	50174	2	PARAPOLVERE - PROTECTION - GUARD	81	50042	2	PIASTRA - PLAQUE - PLATE
36	50544	4	DISTANZIALE - ENTRETOISE - SPACER	82	50657	4	VITE - VIS - SCREW
37	50954	1	KIT : CAMBIO - BOITE DE VIT. - GEARBOX	83	20316	1	RONDELLA - RONDELLE - WASHER
38	50459	2	SUPPORTO - SUPPORT - BRACKET	84	50479	1	CARTER - CAPOT - COVER
39	50410	1	ASSALE - AXE - AXLE	85	23755	1	GOMMINO - CAOUTCHOUC - RUBBER
40	50882	1	CINGHIA - COURROIE - BELT	86	23758	1	GOMMINO - CAOUTCHOUC - RUBBER
41	50690	2	RUOTA - ROUE - WHEEL	87	50468	1	TAPPO MULCHING - FERMATURE - MULCHING PLUG
42	50458	2	SUPPORTO - SUPPORT - BRACKET	88	50658	1	VITE - VIS - SCREW
44	50414	1	CARTER - CAPOT - HOUSING (Rosso - Red)	89	50909	1	ADESIVO - ADHESIF - ADHESIVE
	50585		CARTER - CAPOT - HOUSING (Grigio - Gray)	102	50640	6	VITE - VIS - SCREW
45	20289	4	DADO - ECROU - NUT	103	50700	2	RUOTA - ROUE - WHEEL
46	50429	2	LEVA - LEVIER - LEVER				

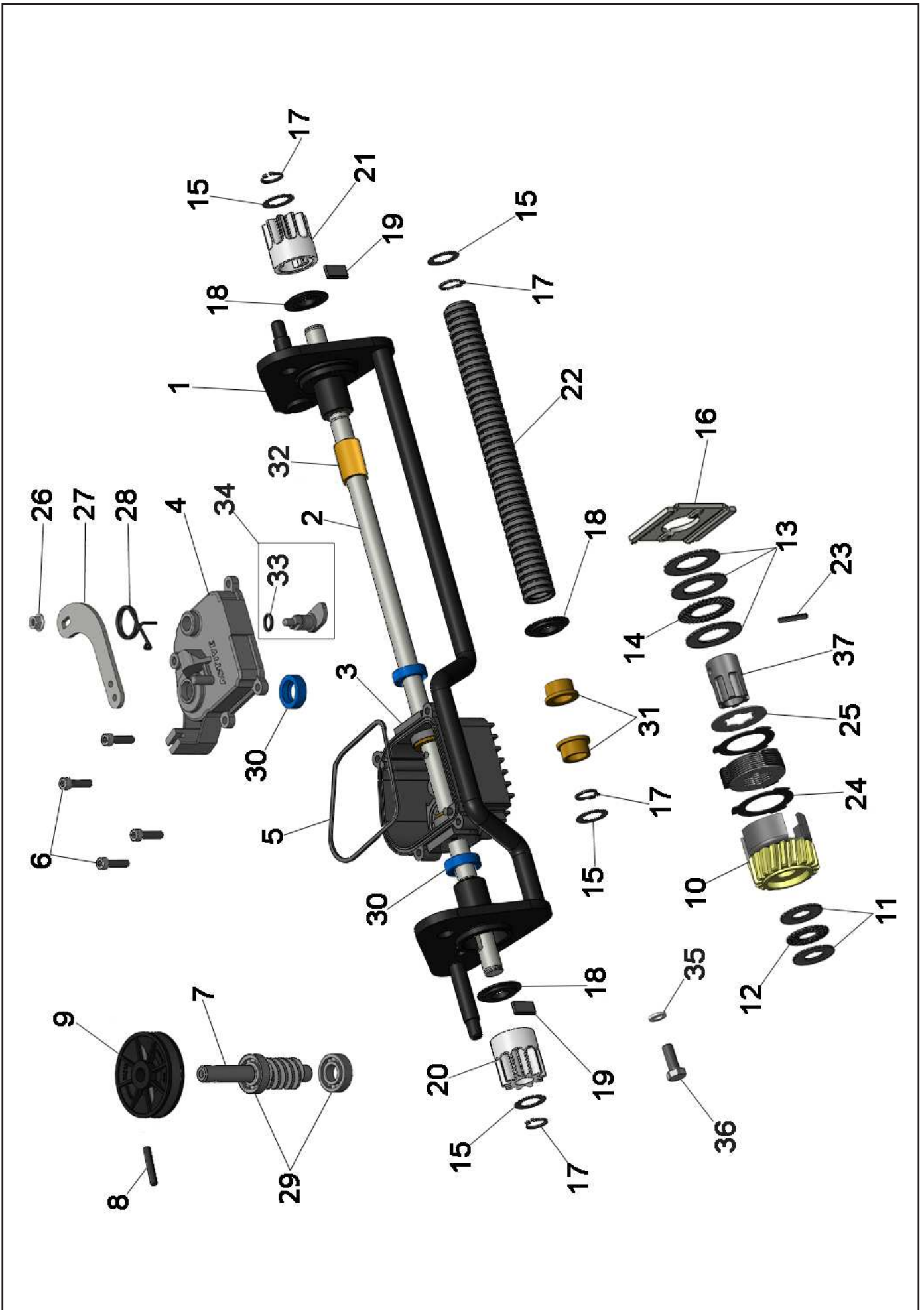
NOTE - NOTES



Valido dal N° di serie
A partir de N° de matricule suivant
From serial N°

43SB120001

50954 Trasmissione - Transmission - Transmission

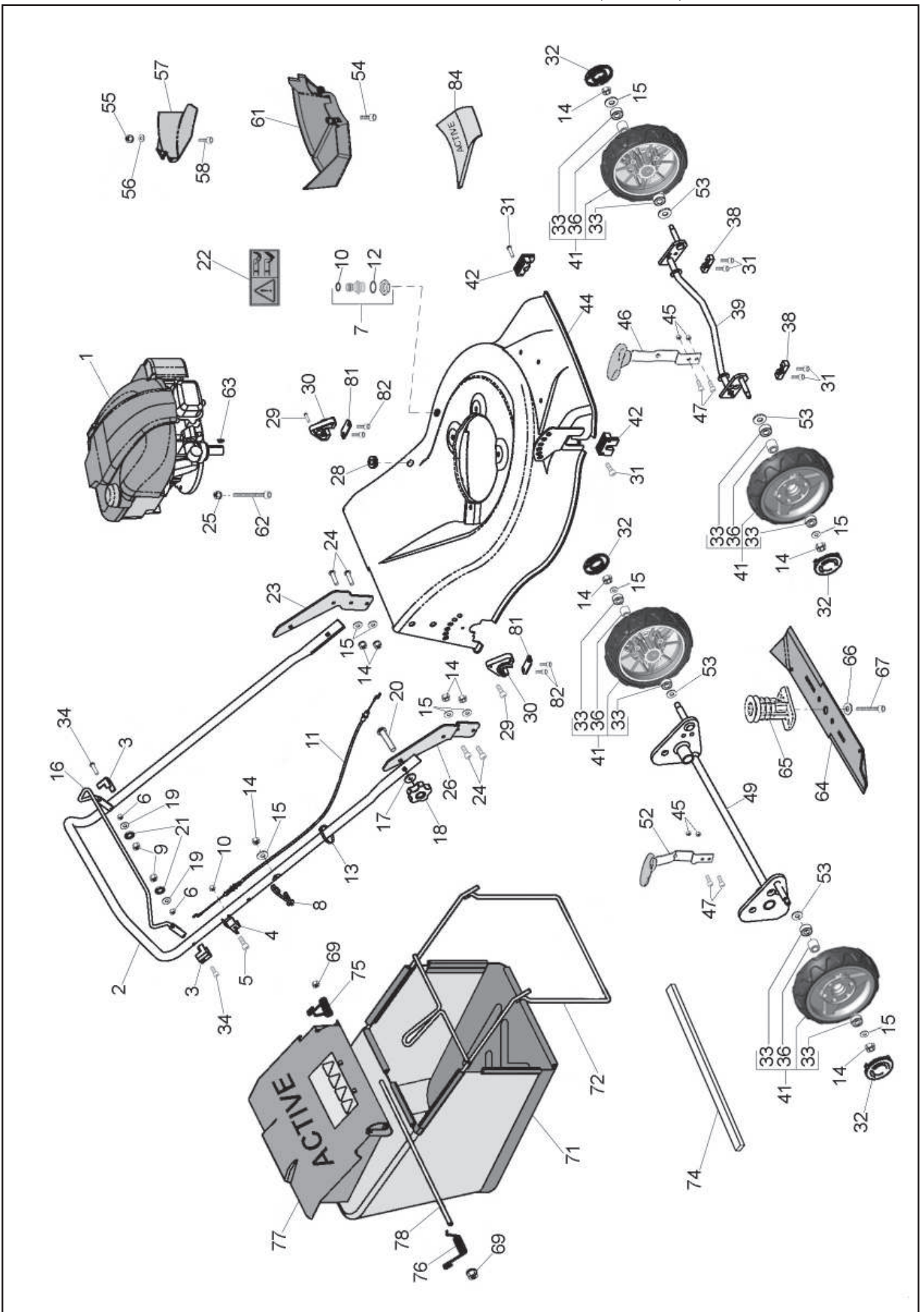


50954 Trasmissione - Transmission - Transmission

RIF. REF.	COD. N° / P P / N°	Q.	DESCRIZIONE - DESCRIPTION	RIF. REF.	COD. N° / P P / N°	Q.	DESCRIZIONE - DESCRIPTION
1	50434	1	ASSALE - AXE - AXLE	20	50527	1	PIGNONE - PIGNON - PINION (SX)
2	50575	1	ALBERO - ARBRE - SHAFT	21	50528	1	PIGNONE - PIGNON - PINION (DX)
3	50606	1	SCATOLA - BOITE - BOX	22	50109	1	PROTEZIONE - PROTECTION - GUARD
4	50229	1	COPERCHIO - COUVERTURE - COVER	23	50295	1	SPINA ELAST. - GOUPILLES - ELAST.PIN
5	50321	1	GUARNIZIONE - JOINT - GASKET	24	50706	10	DISCO - DISK
6	20001	4	VITE - VIS - SCREW	25	50707	10	DISCO - DISK
7	50524	1	VITE S.F. - VIS - SCREW	26	50519	1	DADO - ECROU - NUT
8	50881	1	SPINA ELAST. - GOUPILLES - ELAST.PIN	27	50255	1	LEVA - LEVIER - LEVER
9	50106	1	PULEGGIA - PUOLIE - PULLEY (Ø57)	28	50310	1	MOLLA - RESSORT - SPRING
10	50281	1	ASSIEME CAMPANA - TAMBOUR - DRUM	29	22511	2	CUSCINETTO - ROULEMENT - BEARING
11	50303	1	RONDELLA - RONDELLE - WASHER	30	50320	3	ANELLO DI TENUTA - JOINT - SEAL
12	50521	1	CUSCINETTO - ROULEMENT - BEARING	31	50540	2	BUSSOLA - ENTRETOISE - SPACER
13	50261	3	RONDELLA - RONDELLE - WASHER	32	50541	2	BUSSOLA - ENTRETOISE - SPACER
14	50522	1	CUSCINETTO - ROULEMENT - BEARING	33	20324	1	O-RING
15	50678	4	RASAMENTO - RONDELLE - WASHER SHIMS	34	50179	1	LEVA - LEVIER - LEVER
16	50546	1	LEVA - LEVIER - LEVER	35	50772	1	RONDELLA - RONDELLE - WASHER
17	20218	4	SEEGER	36	50771	1	VITE - VIS - SCREW
18	50186	3	PROTEZIONE - PROTECTION - GUARD	37	50284	1	BUSSOLA - ENTRETOISE - SPACER
19	50188	2	CHIAVETTA - CLAVETTE - KEY				

NOTE - NOTES

Rasaerba - Tondeuses - Lawn mowers (4800 B)



Rasaerba - Tondeuses - Lawn mowers (4800 B)

RIF.	COD.	Q.	DESCRIZIONE - DESCRIPTION	RIF.	COD.	Q.	DESCRIZIONE - DESCRIPTION
REF.	N° / P P / N°			REF.	N° / P P / N°		
1	50242	1	MOTORE - MOTEUR - ENGINE	39	50427	1	ASSALE - AXE - AXLE
2	50380	1	MANUBRIO - GUIDON - HANDLE BAR	41	50107	4	RUOTA - ROUE - WHEEL
3	50558	2	STAFFA - ETRIER - STIRRUP	42	50458	2	SUPPORTO - SUPPORT - BRACKET
4	50206	1	STAFFA - ETRIER - STIRRUP	44	50454	1	CARTER - CAPOT - HOUSING (Rosso - Red)
5	40092	1	VITE - VIS - SCREW		50586	1	CARTER - CAPOT - HOUSING (Grigio - Gray)
6	20917	2	DADO - ECROU - NUT	45	20289	4	DADO - ECROU - NUT
7	50209	1	ATTACCO ACQUA - RACCORDEMENT à L'EAU - WATER CONNECTION	46	50419	1	LEVA - LEVIER - LEVER
8	50105	1	GUIDA - SUPPORT - BRACKET	47	22798	4	VITE - VIS - SCREW
9	31216	2	DADO - ECROU - NUT	49	50423	1	ASSALE - AXE - AXLE
10	23755	1	GOMMINO - CAOUTCHOUC - RUBBER	52	50429	1	LEVA - LEVIER - LEVER
11	50631	1	CAVO - CABLE (Freno - Brake)	53	20790	4	RONDELLA - RONDELLE - WASHER
12	23758	1	GOMMINO - CAOUTCHOUC - RUBBER	54	50659	1	VITE - VIS - SCREW
13	50314	2	FASCETTA - CLIP	55	50660	1	MANOPOLA - POIGNEE - HANDLE
14	20788	9	DADO - ECROU - NUT	56	20316	1	RONDELLA - RONDELLE - WASHER
15	20711	9	RONDELLA - RONDELLE - WASHER	57	50468	1	TAPPO MULCHING - FERMATURE - MULCHING PLUG
16	50175	1	MANIGLIA - POIGNEE - HANDLE	58	50658	1	VITE - VIS - SCREW
17	21686	2	RONDELLA - RONDELLE - WASHER	61	50452	1	CARTER - CAPOT - COVER
18	50025	2	MANOPOLA - POIGNEE - HANDLE	62	40720	3	VITE - VIS - SCREW
19	21139	4	RONDELLA - RONDELLE - WASHER	63	50305	1	CHIAVETTA - CLAVETTE - KEY
20	50668	2	VITE - VIS - SCREW	64	50466	1	LAMA - LAME - BLADE (46 cm)
21	50761	2	RONDELLA - RONDELLE - WASHER	65	50607	1	MOZZO - MOYEUX - HUB (Ø22,2)
22	50909	1	ADESIVO - ADHESIF - ADHESIVE	66	50538	1	RONDELLA - RONDELLE - WASHER
23	50439	1	MANUBRIO - GUIDON - HANDLE BAR (SX)	67	50641	1	VITE - VIS - SCREW
24	40007	4	VITE - VIS - SCREW	69	50663	2	DADO - ECROU - NUT
25	50666	3	DADO - ECROU - NUT	71	50463	1	TELA - TOILE - CANVAS (Verde - Green)
26	50437	1	MANUBRIO - GUIDON - HANDLE BAR (DX)		50728	1	TELA - TOILE - CANVAS (Nera - Black)
28	50469	1	GOMMINO - CAOUTCHOUC - RUBBER	72	50149	1	TELAIO - CHASSIS - FRAME
29	50656	2	VITE - VIS - SCREW	74	50880	1	GOMMA ADESIVA - CAOUTCHOUC - RUBBER
30	50457	2	SUPPORTO - SUPPORT - BRACKET	75	50597	1	MOLLA - RESSORT - SPRING
31	50662	6	VITE - VIS - SCREW	76	50461	1	MOLLA - RESSORT - SPRING
32	50020	4	COPRI MOZZO - COUVERCLE - WHEEL COVER	77	50460	1	DEFLETTORE - DEFLECTEUR - DEFLECTOR
33	50667	8	CUSCINETTO - ROULEMENT - BEARING	78	50441	1	PERNO - PIVOT - PIN
34	50830	2	VITE - VIS - SCREW	81	50042	2	PIASTRA - PLAQUE - PLATE
36	50544	4	DISTANZIALE - ENTRETOISE - SPACER	82	50657	4	VITE - VIS - SCREW
38	50459	2	SUPPORTO - SUPPORT - BRACKET	84	50479	1	CARTER - CAPOT - COVER

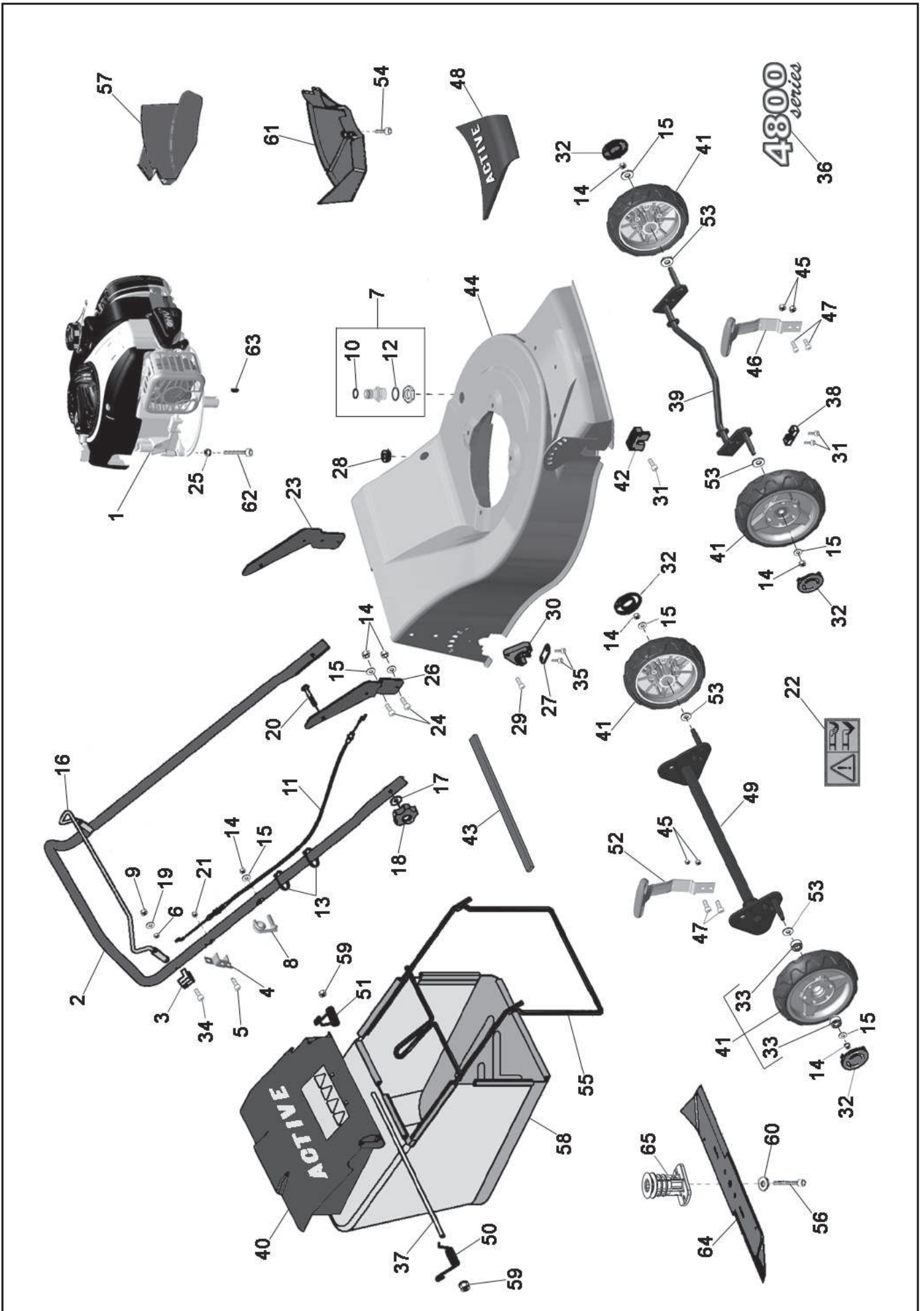
NOTE - NOTES



Valido dal N° di serie
A partir de N° de matricule suivant
From serial N°

48XB130001

Rasaerba - Tondeuses - Lawn mowers (4800 B)



Rasaerba - Tondeuses - Lawn mowers (4800 B)

RIF.	COD.	Q.	DESCRIZIONE - DESCRIPTION	RIF.	COD.	Q.	DESCRIZIONE - DESCRIPTION
REF.	N° / P P / N°			REF.	N° / P P / N°		
1	50242	1	MOTORE - MOTEUR - ENGINE	35	50657	4	VITE - VIS - SCREW
2	50380	1	MANUBRIO - GUIDON - HANDLE BAR	36	50307	1	ADESIVO - ADHESIF - ADHESIVE
3	50558	2	STAFFA - ETRIER - STIRRUP	37	50441	1	PERNO - PIVOT - PIN
4	50206	1	STAFFA - ETRIER - STIRRUP	38	50459	2	SUPPORTO - SUPPORT - BRACKET
5	40092	1	VITE - VIS - SCREW	39	50427	1	ASSALE - AXE - AXLE
6	20917	2	DADO - ECROU - NUT	40	50460	1	DEFLETTORE - DEFLECTEUR - DEFLECTOR
7	50209	1	ATTACCO ACQUA - RACCORDEMENT à L'EAU - WATER CONNECTION	41	50107	4	RUOTA - ROUE - WHEEL
8	50105	1	GUIDA - SUPPORT - BRACKET	42	50458	2	SUPPORTO - SUPPORT - BRACKET
9	31216	2	DADO - ECROU - NUT	43	50880	1	GOMMA ADESIVA - CAOUTCHOUC - RUBBER
10	23755	1	GOMMINO - CAOUTCHOUC - RUBBER	44	50454	1	CARTER - CAPOT - HOUSING (Rosso - Red)
11	50631	1	CAVO - CABLE (Freno - Brake)	44	50586	1	CARTER - CAPOT - HOUSING (Grigio - Gray)
12	23758	1	GOMMINO - CAOUTCHOUC - RUBBER	45	20289	4	DADO - ECROU - NUT
13	50314	2	FASCETTA - CLIP	46	50419	1	LEVA - LEVIER - LEVER
14	20788	9	DADO - ECROU - NUT	47	22798	4	VITE - VIS - SCREW
15	20711	9	RONDELLA - RONDELLE - WASHER	48	50479	1	CARTER - CAPOT - COVER
16	50175	1	MANIGLIA - POIGNEE - HANDLE	49	50423	1	ASSALE - AXE - AXLE
17	21686	2	RONDELLA - RONDELLE - WASHER	50	50461	1	MOLLA - RESSORT - SPRING
18	50025	2	MANOPOLA - POIGNEE - HANDLE	51	50597	1	MOLLA - RESSORT - SPRING
19	21139	2	RONDELLA - RONDELLE - WASHER	52	50429	1	LEVA - LEVIER - LEVER
20	50668	2	VITE - VIS - SCREW	53	20790	4	RONDELLA - RONDELLE - WASHER
21	20176	1	DADO - ECROU - NUT	54	50659	1	VITE - VIS - SCREW
22	50909	1	ADESIVO - ADHESIF - ADHESIVE	55	50149	1	TELAIO - CHASSIS - FRAME
23	50439	1	MANUBRIO - GUIDON - HANDLE BAR (SX)	56	50641	1	VITE - VIS - SCREW
24	40007	4	VITE - VIS - SCREW	57	50568	1	TAPPO MULCHING - FERMATURE - MULCHING PLUG
25	50666	3	DADO - ECROU - NUT	58	50463	1	TELA - TOILE - CANVAS (Verde - Green)
26	50437	1	MANUBRIO - GUIDON - HANDLE BAR (DX)	58	50728	1	TELA - TOILE - CANVAS (Nera - Black)
27	50042	2	PIASTRA - PLAQUE - PLATE	59	50663	2	DADO - ECROU - NUT
28	50469	1	GOMMINO - CAOUTCHOUC - RUBBER	60	50538	1	RONDELLA - RONDELLE - WASHER
29	50656	2	VITE - VIS - SCREW	61	50452	1	CARTER - CAPOT - COVER
30	50457	2	SUPPORTO - SUPPORT - BRACKET	62	40720	3	VITE - VIS - SCREW
31	50662	6	VITE - VIS - SCREW	63	50305	1	CHIAVETTA - CLAVETTE - KEY
32	50020	4	COPRI MOZZO - COUVERCLE - WHEEL COVER	64	50466	1	LAMA - LAME - BLADE (46 cm)
33	50155	8	CUSCINETTO - ROULEMENT - BEARING	65	50607	1	MOZZO - MOYEURS - HUB (Ø22,2)
34	50830	2	VITE - VIS - SCREW				

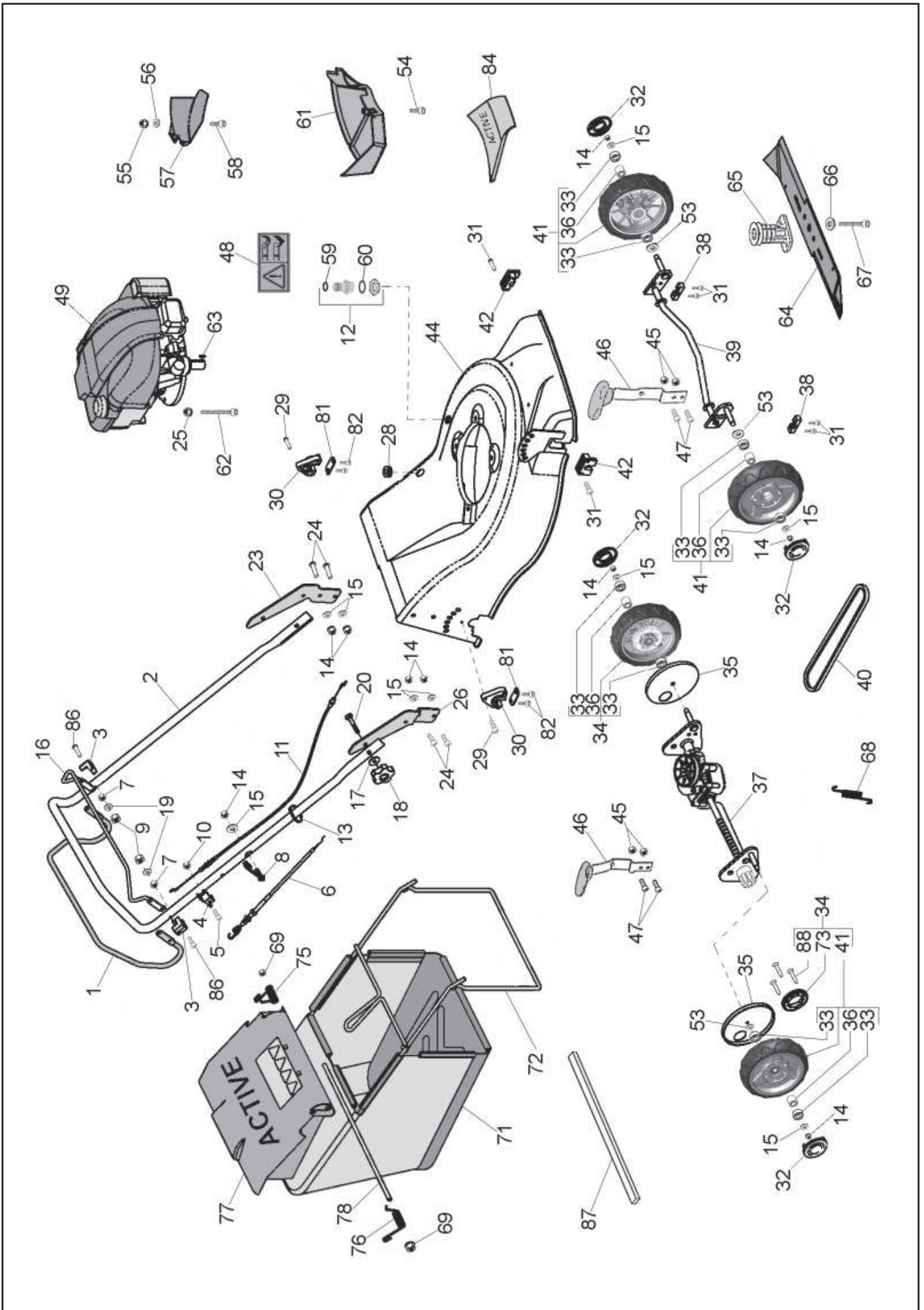
NOTE - NOTES



Valido dal N° di serie
A partir de N° de matricule suivant
From serial N°

48XB140001

Rasaerba - Tondeuses - Lawn mowers (4800 SB)



Rasaerba - Tondeuses - Lawn mowers (4800 SB)

RIF.	COD.	Q.	DESCRIZIONE - DESCRIPTION	RIF.	COD.	Q.	DESCRIZIONE - DESCRIPTION
REF.	N° / P P / N°			REF.	N° / P P / N°		
1	50177	1	MANIGLIA - POIGNEE - HANDLE	45	20289	4	DADO - ECROU - NUT
2	50380	1	MANUBRIO - GUIDON - HANDLE BAR	46	50419	1	LEVA - LEVIER - LEVER
3	50558	2	STAFFA - ETRIER - STIRRUP	47	22798	4	VITE - VIS - SCREW
4	50206	1	STAFFA - ETRIER - STIRRUP	48	50909	1	ADESIVO - ADHESIF - ADHESIVE
5	40092	1	VITE - VIS - SCREW	49	50242	1	MOTORE - MOTEUR - ENGINE
6	50475	1	CAVO - CABLE (Trazione - Traction)	52	50429	1	LEVA - LEVIER - LEVER
7	20917	2	DADO - ECROU - NUT	53	20790	4	RONDELLA - RONDELLE - WASHER
8	50105	1	GUIDA - SUPPORT - BRACKET	54	50659	1	VITE - VIS - SCREW
9	31216	2	DADO - ECROU - NUT	55	50660	1	MANOPOLA - POIGNEE - HANDLE
10	20176	1	DADO - ECROU - NUT	56	20316	1	RONDELLA - RONDELLE - WASHER
11	50095	1	CAVO - CABLE (Freno - Brake)	57	50468	1	TAPPO MULCHING - FERMATURE - MULCHING PLUG
12	50209	1	ATTACCO ACQUA - RACCORDEMENT à L'EAU - WATER CONNECTION	58	50658	1	VITE - VIS - SCREW
13	50314	2	FASCETTA - CLIP	59	23755	1	GOMMINO - CAOUTCHOUC - RUBBER
14	20788	9	DADO - ECROU - NUT	60	23758	1	GOMMINO - CAOUTCHOUC - RUBBER
15	20711	9	RONDELLA - RONDELLE - WASHER	61	50452	1	CARTER - CAPOT - COVER
16	50175	1	MANIGLIA - POIGNEE - HANDLE	62	40720	3	VITE - VIS - SCREW
17	21686	2	RONDELLA - RONDELLE - WASHER	63	50305	1	CHIAVETTA - CLAVETTE - KEY
18	50025	2	MANOPOLA - POIGNEE - HANDLE	64	50466	1	LAMA - LAME - BLADE (46 cm)
19	21139	2	RONDELLA - RONDELLE - WASHER	65	50607	1	MOZZO - MOYEUR - HUB (Ø22,2)
20	50668	2	VITE - VIS - SCREW	66	50538	1	RONDELLA - RONDELLE - WASHER
23	50439	1	MANUBRIO - GUIDON - HANDLE BAR (SX)	67	50641	1	VITE - VIS - SCREW
24	40007	4	VITE - VIS - SCREW	68	50448	1	MOLLA - RESSORT - SPRING
25	50666	3	DADO - ECROU - NUT	69	50663	2	DADO - ECROU - NUT
26	50437	1	MANUBRIO - GUIDON - HANDLE BAR (DX)	71	50463	1	TELA - TOILE - CANVAS (Verde - Green)
28	50469	1	GOMMINO - CAOUTCHOUC - RUBBER		50728	1	TELA - TOILE - CANVAS (Nera - Black)
29	50656	2	VITE - VIS - SCREW	72	50149	1	TELAIO - CHASSIS - FRAME
30	50457	2	SUPPORTO - SUPPORT - BRACKET	73	50529	2	CORONA - COURONNE - CROWN
31	50662	6	VITE - VIS - SCREW	75	50597	1	MOLLA - RESSORT - SPRING (SX)
32	50020	4	COPRI MOZZO - COUVERCLE - WHEEL COVER	76	50461	1	MOLLA - RESSORT - SPRING (DX)
33	50667	8	CUSCINETTO - ROULEMENT - BEARING	77	50460	1	DEFLETTORE - DEFLECTEUR - DEFLECTOR
34	50108	2	RUOTA - ROUE - WHEEL	78	50441	1	PERNO - PIVOT - PIN
35	50174	2	PARAPOLVERE - PROTECTION - GUARD	81	50042	2	PIASTRA - PLAQUE - PLATE
36	50544	4	DISTANZIALE - ENTRETOISE - SPACER	82	50657	4	VITE - VIS - SCREW
37	50379	1	KIT : TRASMISSIONE - BOITE DE VIT. - GEARBOX	84	50479	1	CARTER - CAPOT - COVER
38	50459	2	SUPPORTO - SUPPORT - BRACKET	85	50831	1	ASSALE - AXE - AXLE
39	50427	1	ASSALE - AXE - AXLE	86	22045	2	VITE - VIS - SCREW
40	50883	1	CINGHIA - COURROIE - BELT	87	50880	1	GOMMA ADESIVA - CAOUTCHOUC - RUBBER
41	50107	2	RUOTA - ROUE - WHEEL	88	50640	6	VITE - VIS - SCREW
42	50458	2	SUPPORTO - SUPPORT - BRACKET				
44	50454	1	CARTER - CAPOT - HOUSING (Rosso - Red)				
	50586	1	CARTER - CAPOT - HOUSING (Grigio - Gray)				

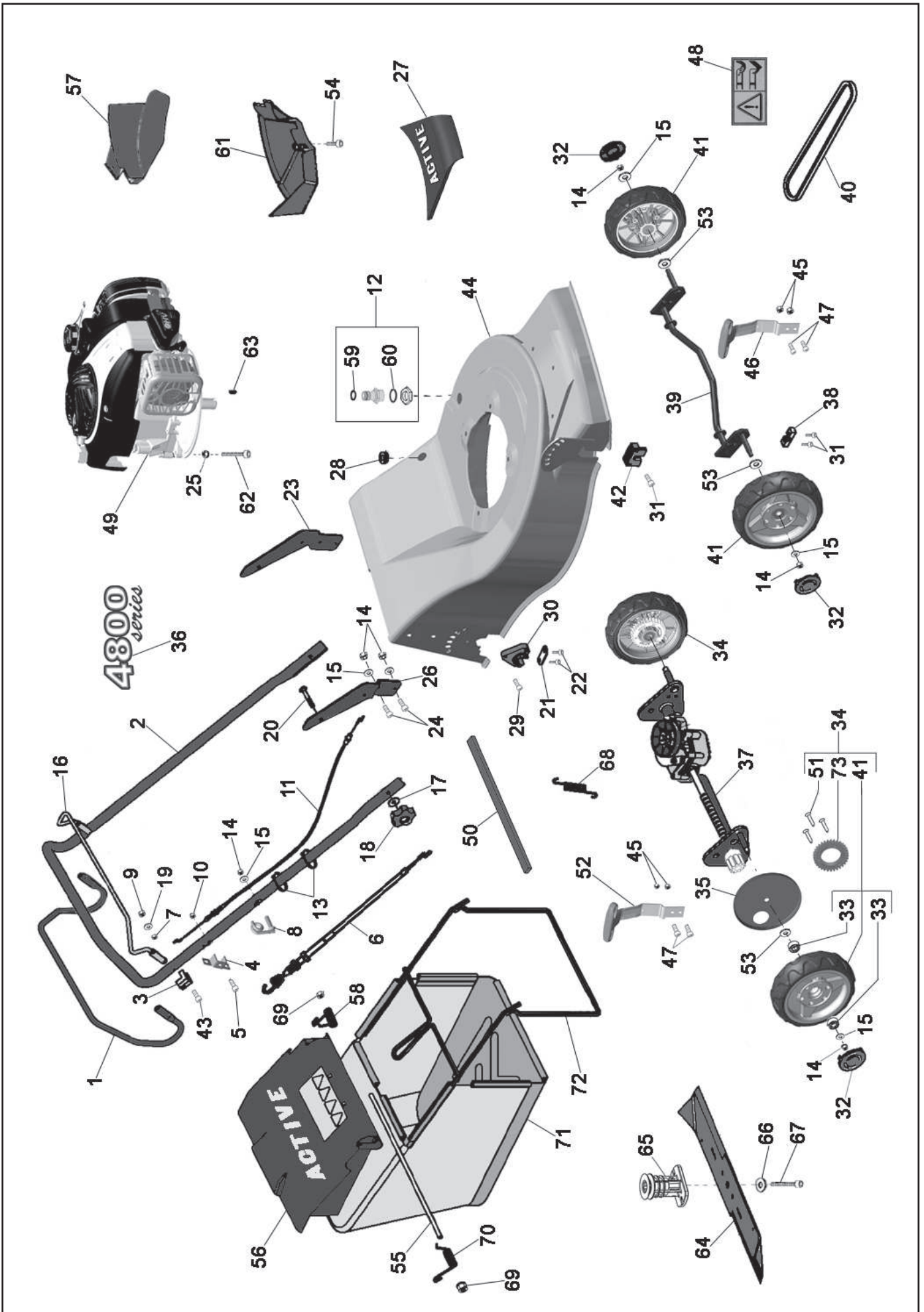
NOTE - NOTES



Valido dal N° di serie
A partir de N° de matricule suivant
From serial N°

48SB130001

Rasaerba - Tondeuses - Lawn mowers (4800 SB)



Rasaerba - Tondeuses - Lawn mowers (4800 SB)

RIF.	COD.	Q.	DESCRIZIONE - DESCRIPTION	RIF.	COD.	Q.	DESCRIZIONE - DESCRIPTION
REF.	N° / P / N°			REF.	N° / P / N°		
1	50177	1	MANIGLIA - POIGNEE - HANDLE	39	50427	1	ASSALE - AXE - AXLE
2	50380	1	MANUBRIO - GUIDON - HANDLE BAR	40	50883	1	CINGHIA - COURROIE - BELT
3	50558	2	STAFFA - ETRIER - STIRRUP	41	50107	2	RUOTA - ROUE - WHEEL
4	50206	1	STAFFA - ETRIER - STIRRUP	42	50458	2	SUPPORTO - SUPPORT - BRAKET
5	40092	1	VITE - VIS - SCREW	43	22045	2	VITE - VIS - SCREW
6	50475	1	CAVO - CABLE (Trazione - Traction)	44	50454	1	CARTER - CAPOT - HOUSING (Rosso - Red)
7	20917	2	DADO - ECROU - NUT	44	50586	1	CARTER - CAPOT - HOUSING (Grigio - Gray)
8	50105	1	GUIDA - SUPPORT - BRACKET	45	20289	4	DADO - ECROU - NUT
9	31216	2	DADO - ECROU - NUT	46	50419	1	LEVA - LEVIER - LEVER
10	20176	1	DADO - ECROU - NUT	47	22798	4	VITE - VIS - SCREW
11	50095	1	CAVO - CABLE (Freno - Brake)	48	50909	1	ADESIVO - ADHESIF - ADHESIVE
12	50209	1	ATTACCO ACQUA - RACCORDEMENT à L'EAU - WATER CONNECTION	49	50242	1	MOTORE - MOTEUR - ENGINE
13	50314	2	FASCETTA - CLIP	50	50880	1	GOMMA ADESIVA - CAOUTCHOUC - RUBBER
14	20788	9	DADO - ECROU - NUT	51	50640	6	VITE - VIS - SCREW
15	20711	9	RONDELLA - RONDELLE - WASHER	52	50429	1	LEVA - LEVIER - LEVER
16	50175	1	MANIGLIA - POIGNEE - HANDLE	53	20790	4	RONDELLA - RONDELLE - WASHER
17	21686	2	RONDELLA - RONDELLE - WASHER	54	50659	1	VITE - VIS - SCREW
18	50025	2	MANOPOLA - POIGNEE - HANDLE	55	50441	1	PERNO - PIVOT - PIN
19	21139	2	RONDELLA - RONDELLE - WASHER	56	50460	1	DEFLETTORE - DEFLECTEUR - DEFLECTOR
20	50668	2	VITE - VIS - SCREW	57	50568	1	TAPPO MULCHING - FERMATURE - MULCHING PLUG
21	50042	2	PIASTRA - PLAQUE - PLATE	58	50597	1	MOLLA - RESSORT - SPRING (SX)
22	50657	4	VITE - VIS - SCREW	59	23755	1	GOMMINO - CAOUTCHOUC - RUBBER
23	50439	1	MANUBRIO - GUIDON - HANDLE BAR (SX)	60	23758	1	GOMMINO - CAOUTCHOUC - RUBBER
24	40007	4	VITE - VIS - SCREW	61	50452	1	CARTER - CAPOT - COVER
25	50666	3	DADO - ECROU - NUT	62	40720	3	VITE - VIS - SCREW
26	50437	1	MANUBRIO - GUIDON - HANDLE BAR (DX)	63	50305	1	CHIAVETTA - CLAVETTE - KEY
27	50479	1	CARTER - CAPOT - COVER	64	50466	1	LAMA - LAME - BLADE (46 cm)
28	50469	1	GOMMINO - CAOUTCHOUC - RUBBER	65	50607	1	MOZZO - MOYEUX - HUB (Ø22,2)
29	50656	2	VITE - VIS - SCREW	66	50538	1	RONDELLA - RONDELLE - WASHER
30	50457	2	SUPPORTO - SUPPORT - BRAKET	67	50641	1	VITE - VIS - SCREW
31	50662	6	VITE - VIS - SCREW	68	50448	1	MOLLA - RESSORT - SPRING
32	50020	4	COPRI MOZZO - COUVERCLE - WHEEL COVER	69	50663	2	DADO - ECROU - NUT
33	50155	8	CUSCINETTO - ROULEMENT - BEARING	70	50461	1	MOLLA - RESSORT - SPRING (DX)
34	50108	2	RUOTA - ROUE - WHEEL	71	50463	1	TELA - TOILE - CANVAS (Verde - Green)
35	50174	2	PARAPOLVERE - PROTECTION - GUARD	71	50728	1	TELA - TOILE - CANVAS (Nera - Black)
36	50307	1	ADESIVO - ADHESIF - ADHESIVE	72	50149	1	TELAIO - CHASSIS - FRAME
37	50379	1	KIT : TRASMISSIONE - BOITE DE VIT. - GEARBOX	73	50529	2	CORONA - COURONNE - CROWN
38	50459	2	SUPPORTO - SUPPORT - BRACKET				

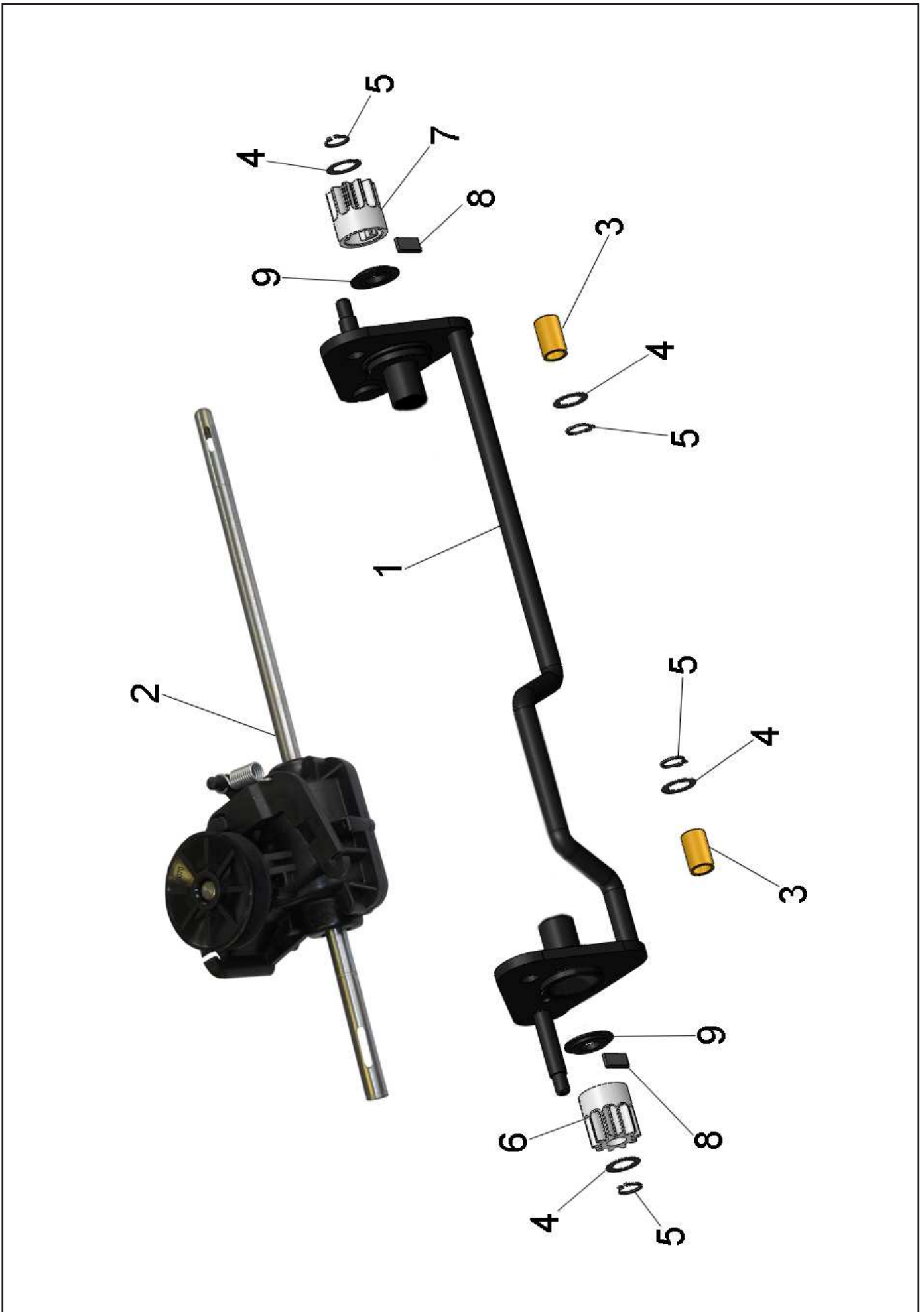
NOTE - NOTES



Valido dal N° di serie
A partir de N° de matricule suivant
From serial N°

48SB140001

50379 Trasmissione - Transmission - Transmission

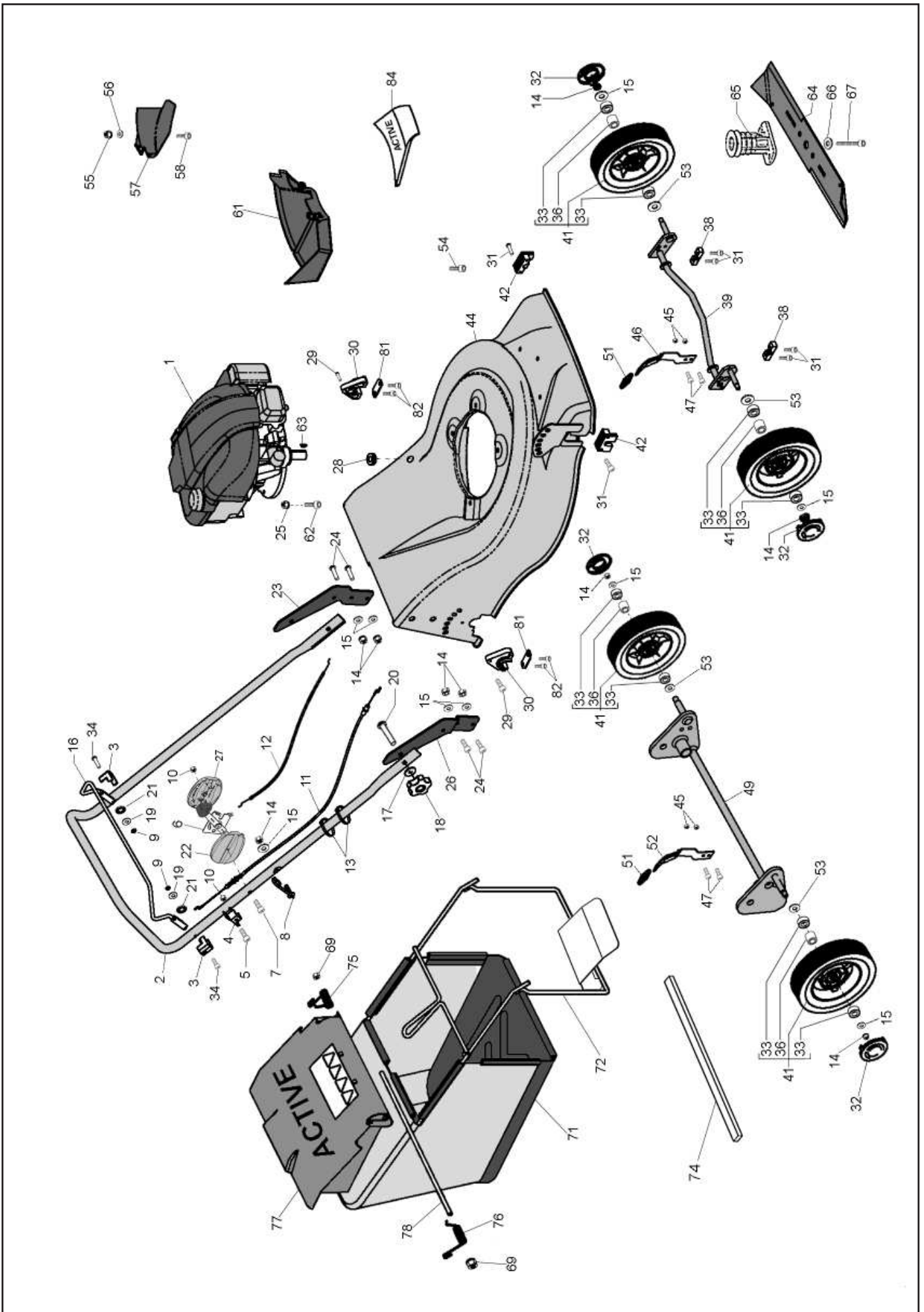


50379 Trasmissione - Transmission - Transmission

RIF. REF.	COD. N° / P P / N°	Q.	DESCRIZIONE - DESCRIPTION	RIF. REF.	COD. N° / P P / N°	Q.	DESCRIZIONE - DESCRIPTION
1	50434	1	ASSALE - AXE - AXLE	6	50527	1	PIGNONE - PIGNON - PINION (SX)
2	50245	1	TRASMISSIONE - BOITE DE VIT. - GEARBOX	7	50528	1	PIGNONE - PIGNON - PINION (DX)
3	50541	2	BUSSOLA - ENTRETOISE - SPACER	8	50188	2	CHIAVETTA - CLAVETTE - KEY
4	50678	4	RONDELLA - RONDELLE - WASHER	9	50186	2	PROTEZIONE - PROTECTION - GUARD
5	20218	4	SEEGER				

NOTE - NOTES

Rasaerba - Tondeuses - Lawn mowers (4900 B)



Rasaerba - Tondeuses - Lawn mowers (4900 B)

RIF. REF.	COD. N° / P P / N°	Q.	DESCRIZIONE - DESCRIPTION	RIF. REF.	COD. N° / P P / N°	Q.	DESCRIZIONE - DESCRIPTION
1	50601	1	MOTORE - MOTEUR - ENGINE	39	50427	1	ASSALE - AXE - AXLE
2	50380	1	MANUBRIO - GUIDON - HANDLE BAR	41	50690	4	RUOTA - ROUE - WHEEL
3	50558	2	STAFFA - ETRIER - STIRRUP	42	50458	2	SUPPORTO - SUPPORT - BRACKET
4	50206	1	STAFFA - ETRIER - STIRRUP	44	50454	1	CARTER - CAPOT - HOUSING (Rosso - Red)
5	40092	1	VITE - VIS - SCREW		50586		CARTER - CAPOT - HOUSING (Grigio - Gray)
6	50094	1	LEVA GAS - LEVIER GAS - GAS LEVER	45	20289	4	DADO - ECROU - NUT
7	20190	1	VITE - VIS - SCREW	46	50420	1	LEVA - LEVIER - LEVER
8	50105	1	GUIDA - SUPPORT - BRACKET	47	22798	4	VITE - VIS - SCREW
9	31216	2	DADO - ECROU - NUT	49	50423	1	ASSALE - AXE - AXLE
10	20176	2	DADO - ECROU - NUT	51	50018	2	IMPUGNATURA - POIGNEE GUIDON - HANDLE
11	50095	1	CAVO - CABLE (Freno - Brake)	52	50430	1	LEVA - LEVIER - LEVER
12	50069	1	CAVO - CABLE (Gas)	53	20790	4	RONDELLA - RONDELLE - WASHER
13	50314	2	FASCETTA - CLIP	54	50659	1	VITE - VIS - SCREW
14	20788	9	DADO - ECROU - NUT	55	50660	1	MANOPOLA - POIGNEE - HANDLE
15	20711	9	RONDELLA - RONDELLE - WASHER	56	20316	1	RONDELLA - RONDELLE - WASHER
16	50175	1	MANIGLIA - POIGNEE - HANDLE	57	50468	1	TAPPO MULCHING - FERMATURE - MULCHING PLUG
17	21686	2	RONDELLA - RONDELLE - WASHER	58	50658	1	VITE - VIS - SCREW
18	50025	2	MANOPOLA - POIGNEE - HANDLE	61	50452	1	CARTER - CAPOT - COVER
19	21139	4	RONDELLA - RONDELLE - WASHER	62	40720	3	VITE - VIS - SCREW
20	50668	2	VITE - VIS - SCREW	63	50305	1	CHIAVETTA - CLAVETTE - KEY
21	50761	2	RONDELLA - RONDELLE - WASHER	64	50466	1	LAMA - LAME - BLADE (46 cm)
22	50104	1	CARTER (DX)	65	50607	1	MOZZO - MOYEUX - HUB (Ø22,2)
23	50439	1	MANUBRIO - GUIDON - HANDLE BAR (SX)	66	50538	1	RONDELLA - RONDELLE - WASHER
24	40007	4	VITE - VIS - SCREW	67	50641	1	VITE - VIS - SCREW
25	50666	3	DADO - ECROU - NUT	69	50663	2	DADO - ECROU - NUT
26	50437	1	MANUBRIO - GUIDON - HANDLE BAR (DX)	71	50715	1	TELA - TOILE - CANVAS (Verde - Green)
27	50103	1	CARTER (SX)		50727		TELA - TOILE - CANVAS (Nera - Black)
28	50469	1	GOMMINO - CAOUTCHOUC - RUBBER	72	50743	1	TELAIO - CHASSIS - FRAME
29	50656	2	VITE - VIS - SCREW	74	50880	1	GOMMA ADESIVA - CAOUTCHOUC - RUBBER
30	50457	2	SUPPORTO - SUPPORT - BRACKET	75	50597	1	MOLLA - RESSORT - SPRING
31	50662	6	VITE - VIS - SCREW	76	50461	1	MOLLA - RESSORT - SPRING
32	50020	4	COPRI MOZZO - COUVERCLE - WHEEL COVER	77	50460	1	DEFLETTORE - DEFLECTEUR - DEFLECTOR
33	50667	8	CUSCINETTO - ROULEMENT - BEARING	78	50441	1	PERNO - PIVOT - PIN
34	50830	2	VITE - VIS - SCREW	81	50042	2	PIASTRA - PLAQUE - PLATE
36	50544	4	DISTANZIALE - ENTRETOISE - SPACER	82	50657	4	VITE - VIS - SCREW
38	50459	2	SUPPORTO - SUPPORT - BRACKET	84	50479	1	CARTER - CAPOT - COVER

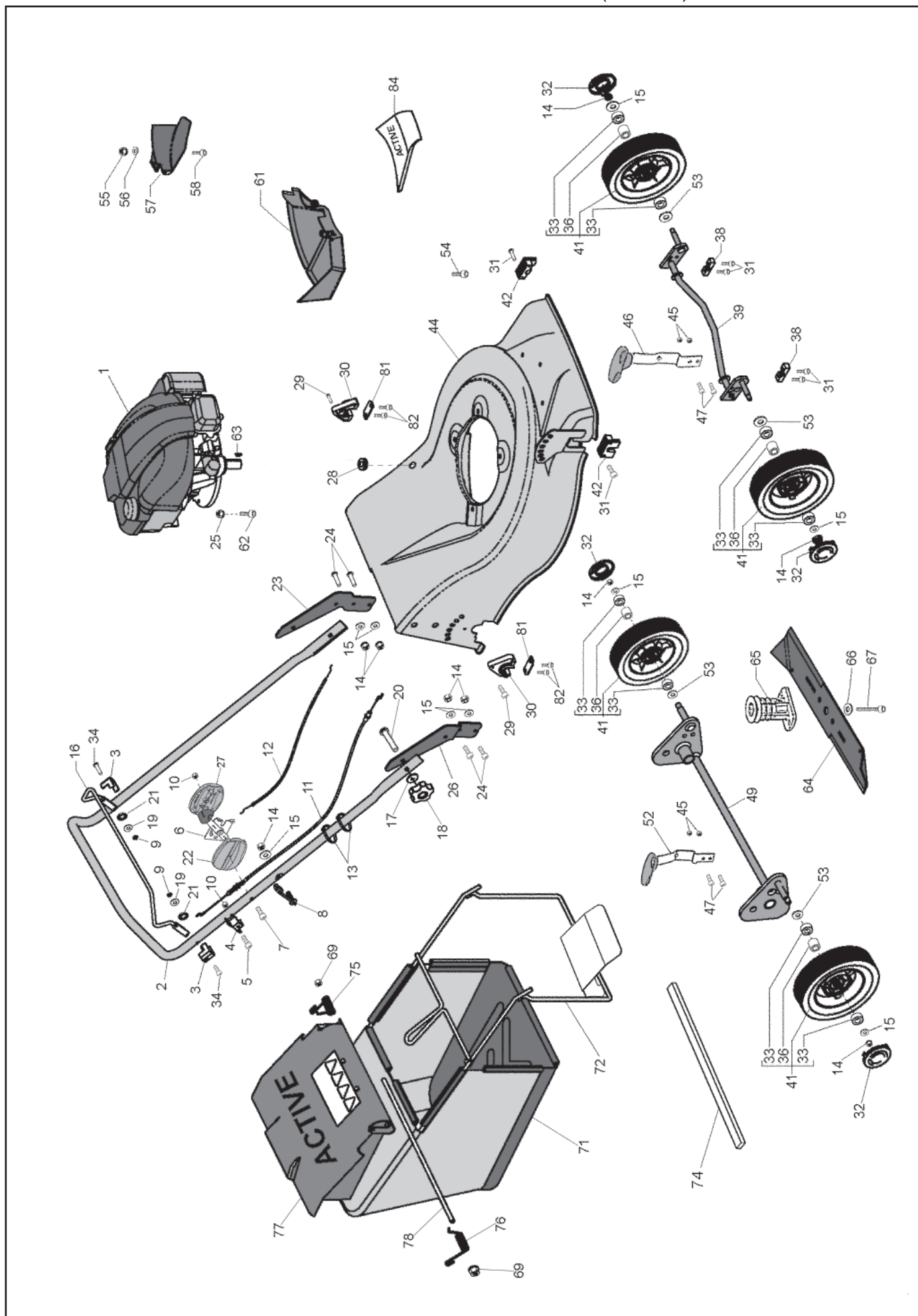
NOTE - NOTES



Valido dal N° di serie
A partir de N° de matricule suivant
From serial N°

49XB100001

Rasaerba - Tondeuses - Lawn mowers (4900 B)



Rasaerba - Tondeuses - Lawn mowers (4900 B)

RIF. REF.	COD. N° / P P / N°	Q.	DESCRIZIONE - DESCRIPTION	RIF. REF.	COD. N° / P P / N°	Q.	DESCRIZIONE - DESCRIPTION
1	50601	1	MOTORE - MOTEUR - ENGINE	39	50427	1	ASSALE - AXE - AXLE
2	50380	1	MANUBRIO - GUIDON - HANDLE BAR	41	50690	4	RUOTA - ROUE - WHEEL
3	50558	2	STAFFA - ETRIER - STIRRUP	42	50458	2	SUPPORTO - SUPPORT - BRACKET
4	50206	1	STAFFA - ETRIER - STIRRUP	44	50454	1	CARTER - CAPOT - HOUSING (Rosso - Red)
5	40092	1	VITE - VIS - SCREW		50586		CARTER - CAPOT - HOUSING (Grigio - Gray)
6	50094	1	LEVA GAS - LEVIER GAS - GAS LEVER	45	20289	4	DADO - ECROU - NUT
7	20190	1	VITE - VIS - SCREW	46	50419	1	LEVA - LEVIER - LEVER
8	50105	1	GUIDA - SUPPORT - BRACKET	47	22798	4	VITE - VIS - SCREW
9	31216	2	DADO - ECROU - NUT	49	50423	1	ASSALE - AXE - AXLE
10	20176	2	DADO - ECROU - NUT	52	50429	1	LEVA - LEVIER - LEVER
11	50095	1	CAVO - CABLE (Freno - Brake)	53	20790	4	RONDELLA - RONDELLE - WASHER
12	50069	1	CAVO - CABLE (Gas)	54	50659	1	VITE - VIS - SCREW
13	50314	2	FASCETTA - CLIP	55	50660	1	MANOPOLA - POIGNEE - HANDLE
14	20788	9	DADO - ECROU - NUT	56	20316	1	RONDELLA - RONDELLE - WASHER
15	20711	9	RONDELLA - RONDELLE - WASHER	57	50468	1	TAPPO MULCHING - FERMATURE - MULCHING PLUG
16	50175	1	MANIGLIA - POIGNEE - HANDLE	58	50658	1	VITE - VIS - SCREW
17	21686	2	RONDELLA - RONDELLE - WASHER	61	50452	1	CARTER - CAPOT - COVER
18	50025	2	MANOPOLA - POIGNEE - HANDLE	62	40720	3	VITE - VIS - SCREW
19	21139	4	RONDELLA - RONDELLE - WASHER	63	50305	1	CHIAVETTA - CLAVETTE - KEY
20	50668	2	VITE - VIS - SCREW	64	50466	1	LAMA - LAME - BLADE (46 cm)
21	50761	2	RONDELLA - RONDELLE - WASHER	65	50607	1	MOZZO - MOYEUX - HUB (Ø22,2)
22	50104	1	CARTER (DX)	66	50538	1	RONDELLA - RONDELLE - WASHER
23	50439	1	MANUBRIO - GUIDON - HANDLE BAR (SX)	67	50641	1	VITE - VIS - SCREW
24	40007	4	VITE - VIS - SCREW	69	50663	2	DADO - ECROU - NUT
25	50666	3	DADO - ECROU - NUT	71	50715	1	TELA - TOILE - CANVAS (Verde - Green)
26	50437	1	MANUBRIO - GUIDON - HANDLE BAR (DX)		50727		TELA - TOILE - CANVAS (Nera - Black)
27	50103	1	CARTER (SX)	72	50743	1	TELAIO - CHASSIS - FRAME
28	50469	1	GOMMINO - CAOUTCHOUC - RUBBER	74	50880	1	GOMMA ADESIVA - CAOUTCHOUC - RUBBER
29	50656	2	VITE - VIS - SCREW	75	50597	1	MOLLA - RESSORT - SPRING
30	50457	2	SUPPORTO - SUPPORT - BRACKET	76	50461	1	MOLLA - RESSORT - SPRING
31	50662	6	VITE - VIS - SCREW	77	50460	1	DEFLETTORE - DEFLECTEUR - DEFLECTOR
32	50020	4	COPRI MOZZO - COUVERCLE - WHEEL COVER	78	50441	1	PERNO - PIVOT - PIN
33	50667	8	CUSCINETTO - ROULEMENT - BEARING	81	50042	2	PIASTRA - PLAQUE - PLATE
34	50830	2	VITE - VIS - SCREW	82	50657	4	VITE - VIS - SCREW
36	50544	4	DISTANZIALE - ENTRETOISE - SPACER	84	50479	1	CARTER - CAPOT - COVER
38	50459	2	SUPPORTO - SUPPORT - BRACKET				

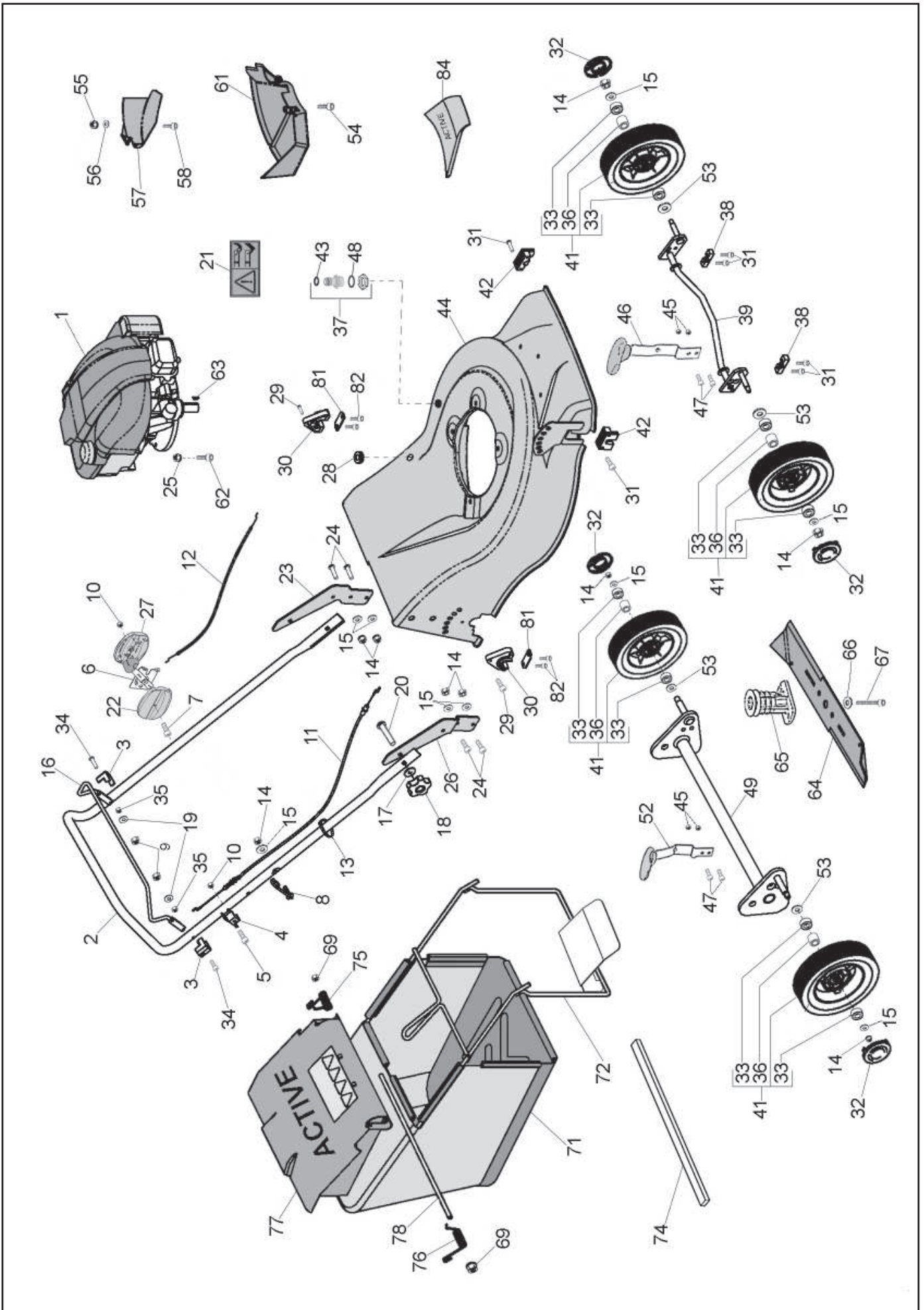
NOTE - NOTES



Valido dal N° di serie
A partir de N° de matricule suivant
From serial N°

49XB120001

Rasaerba - Tondeuses - Lawn mowers (4900 B)



Rasaerba - Tondeuses - Lawn mowers (4900 B)

RIF.	COD.	Q.	DESCRIZIONE - DESCRIPTION	RIF.	COD.	Q.	DESCRIZIONE - DESCRIPTION
REF.	N° / P P / N°			REF.	N° / P P / N°		
1	50601	1	MOTORE - MOTEUR - ENGINE	39	50427	1	ASSALE - AXE - AXLE
2	50380	1	MANUBRIO - GUIDON - HANDLE BAR	41	50690	4	RUOTA - ROUE - WHEEL
3	50558	2	STAFFA - ETRIER - STIRRUP	42	50458	2	SUPPORTO - SUPPORT - BRACKET
4	50206	1	STAFFA - ETRIER - STIRRUP	43	23755	1	GOMMINO - CAOUTCHOUC - RUBBER
5	40092	1	VITE - VIS - SCREW	44	50454	1	CARTER - CAPOT - HOUSING (Rosso - Red)
6	50094	1	LEVA GAS - LEVIER GAS - GAS LEVER		50586	1	CARTER - CAPOT - HOUSING (Grigio - Gray)
7	20190	1	VITE - VIS - SCREW	45	20289	4	DADO - ECROU - NUT
8	50105	1	GUIDA - SUPPORT - BRACKET	46	50419	1	LEVA - LEVIER - LEVER
9	31216	2	DADO - ECROU - NUT	47	22798	4	VITE - VIS - SCREW
10	20176	2	DADO - ECROU - NUT	48	23758	1	GOMMINO - CAOUTCHOUC - RUBBER
11	50095	1	CAVO - CABLE (Freno - Brake)	49	50423	1	ASSALE - AXE - AXLE
12	50069	1	CAVO - CABLE (Gas)	52	50429	1	LEVA - LEVIER - LEVER
13	50314	2	FASCETTA - CLIP	53	20790	4	RONDELLA - RONDELLE - WASHER
14	20788	9	DADO - ECROU - NUT	54	50659	1	VITE - VIS - SCREW
15	20711	9	RONDELLA - RONDELLE - WASHER	55	50660	1	MANOPOLA - POIGNEE - HANDLE
16	50175	1	MANIGLIA - POIGNEE - HANDLE	56	20316	1	RONDELLA - RONDELLE - WASHER
17	21686	2	RONDELLA - RONDELLE - WASHER	57	50468	1	TAPPO MULCHING - FERMATURE - MULCHING PLUG
18	50025	2	MANOPOLA - POIGNEE - HANDLE	58	50658	1	VITE - VIS - SCREW
19	21139	2	RONDELLA - RONDELLE - WASHER	61	50452	1	CARTER - CAPOT - COVER
20	50668	2	VITE - VIS - SCREW	62	40720	3	VITE - VIS - SCREW
21	50909	1	ADESIVO - ADHESIF - ADHESIVE	63	50305	1	CHIAVETTA - CLAVETTE - KEY
22	50104	1	CARTER (DX)	64	50466	1	LAMA - LAME - BLADE (46 cm)
23	50439	1	MANUBRIO - GUIDON - HANDLE BAR (SX)	65	50607	1	MOZZO - MOYEUR - HUB (Ø22,2)
24	40007	4	VITE - VIS - SCREW	66	50538	1	RONDELLA - RONDELLE - WASHER
25	50666	3	DADO - ECROU - NUT	67	50641	1	VITE - VIS - SCREW
26	50437	1	MANUBRIO - GUIDON - HANDLE BAR (DX)	69	50663	2	DADO - ECROU - NUT
27	50103	1	CARTER (SX)	71	50715	1	TELA - TOILE - CANVAS (Verde - Green)
28	50469	1	GOMMINO - CAOUTCHOUC - RUBBER		50727	1	TELA - TOILE - CANVAS (Nera - Black)
29	50656	2	VITE - VIS - SCREW	72	50743	1	TELAIO - CHASSIS - FRAME
30	50457	2	SUPPORTO - SUPPORT - BRACKET	74	50880	1	GOMMA ADESIVA - CAOUTCHOUC - RUBBER
31	50662	6	VITE - VIS - SCREW	75	50597	1	MOLLA - RESSORT - SPRING
32	50020	4	COPRI MOZZO - COUVERCLE - WHEEL COVER	76	50461	1	MOLLA - RESSORT - SPRING
33	50667	8	CUSCINETTO - ROULEMENT - BEARING	77	50460	1	DEFLETTORE - DEFLECTEUR - DEFLECTOR
34	50830	2	VITE - VIS - SCREW	78	50441	1	PERNO - PIVOT - PIN
35	20917	2	DADO - ECROU - NUT	81	50042	2	PIASTRA - PLAQUE - PLATE
36	50544	4	DISTANZIALE - ENTRETOISE - SPACER	82	50657	4	VITE - VIS - SCREW
37	50209	1	ATTACCO ACQUA - RACCORDEMENT à L'EAU - WATER CONNECTION	84	50479	1	CARTER - CAPOT - COVER
38	50459	2	SUPPORTO - SUPPORT - BRACKET				

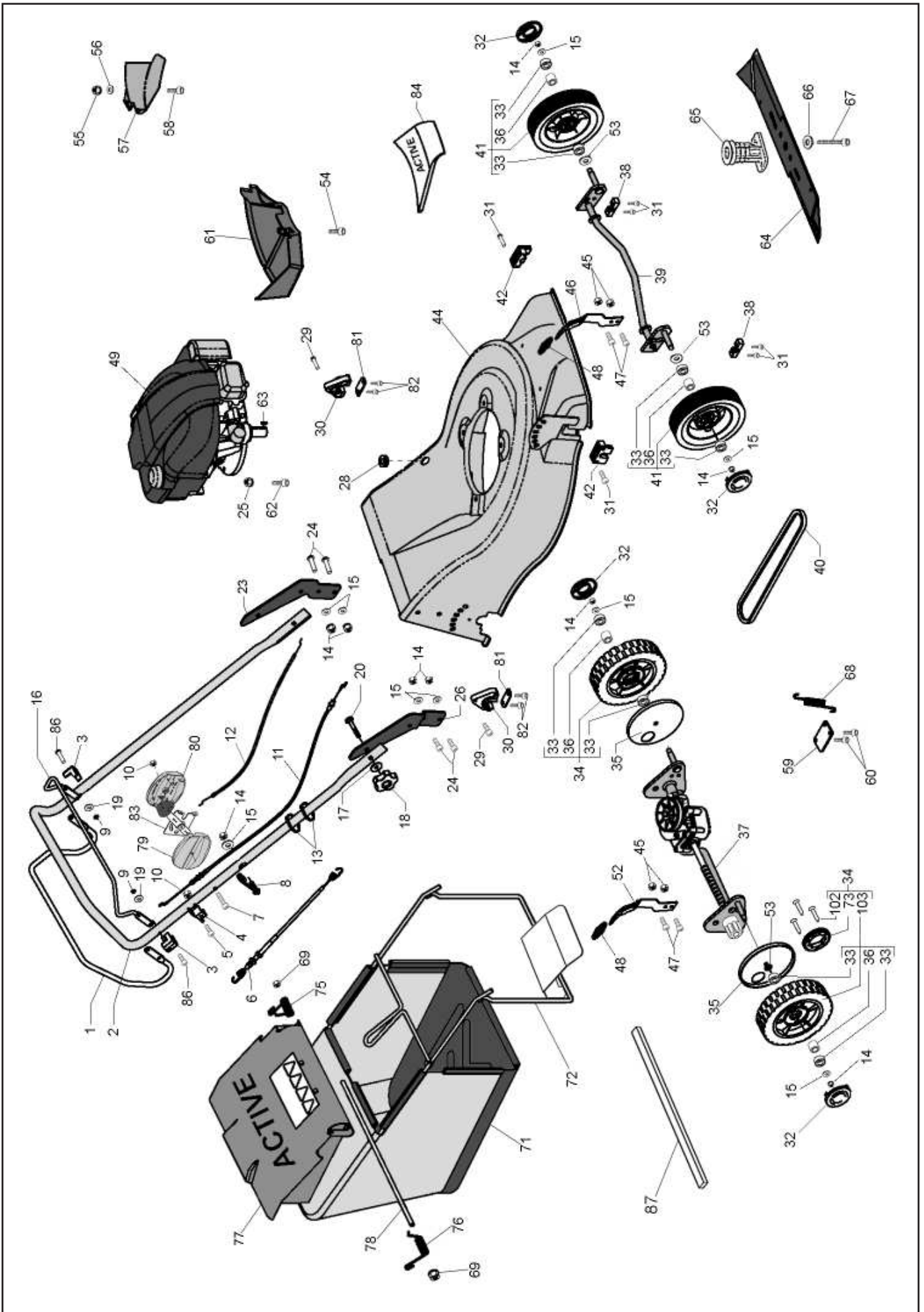
NOTE - NOTES



Valido dal N° di serie
A partir de N° de matricule suivant
From serial N°

49XB130001

Rasaerba - Tondeuses - Lawn mowers (4900 SB)



Rasaerba - Tondeuses - Lawn mowers (4900 SB)

RIF.	COD.	Q.	DESCRIZIONE - DESCRIPTION	RIF.	COD.	Q.	DESCRIZIONE - DESCRIPTION
REF.	N° / P P / N°			REF.	N° / P P / N°		
1	50177	1	MANIGLIA - POIGNEE - HANDLE	45	20289	4	DADO - ECROU - NUT
2	50380	1	MANUBRIO - GUIDON - HANDLE BAR	46	50420	1	LEVA - LEVIER - LEVER
3	50558	2	STAFFA - ETRIER - STIRRUP	47	22798	4	VITE - VIS - SCREW
4	50206	1	STAFFA - ETRIER - STIRRUP	48	50018	2	IMPUGNATURA - POIGNEE GUIDON - HANDLE
5	40092	1	VITE - VIS - SCREW	49	50601	1	MOTORE - MOTEUR - ENGINE
6	50472	1	CAVO - CABLE (Trazione - Traction)	50	50527	1	PIGNONE - PIGNON - PINION (SX)
7	20190	1	VITE - VIS - SCREW	51	50678	2	RONDELLA - RONDELLE - WASHER
8	50105	1	GUIDA - SUPPORT - BRACKET	52	50430	1	LEVA - LEVIER - LEVER
9	31216	2	DADO - ECROU - NUT	53	20790	4	RONDELLA - RONDELLE - WASHER
10	20176	2	DADO - ECROU - NUT	54	50659	1	VITE - VIS - SCREW
11	50095	1	CAVO - CABLE (Freno - Brake)	55	50660	1	MANOPOLA - POIGNEE - HANDLE
12	50069	1	CAVO - CABLE (Gas)	56	20316	1	RONDELLA - RONDELLE - WASHER
13	50314	2	FASCETTA - CLIP	57	50468	1	TAPPO MULCHING - FERMATURE - MULCHING PLUG
14	20788	9	DADO - ECROU - NUT	58	50658	1	VITE - VIS - SCREW
15	20711	9	RONDELLA - RONDELLE - WASHER	59	50447	1	PIASTRA - PLAQUE - PLATE
16	50175	1	MANIGLIA - POIGNEE - HANDLE	60	20272	2	VITE - VIS - SCREW
17	21686	2	RONDELLA - RONDELLE - WASHER	61	50452	1	CARTER - CAPOT - COVER
18	50025	2	MANOPOLA - POIGNEE - HANDLE	62	40720	3	VITE - VIS - SCREW
19	21139	6	RONDELLA - RONDELLE - WASHER	63	50305	1	CHIAVETTA - CLAVETTE - KEY
20	50668	2	VITE - VIS - SCREW	64	50466	1	LAMA - LAME - BLADE (46 cm)
21	50188	2	CHIAVETTA - CLAVETTE - KEY	65	50607	1	MOZZO - MOYEUR - HUB (Ø22,2)
22	50186	2	PARAPOLVERE - PROTECTION - GUARD	66	50538	1	RONDELLA - RONDELLE - WASHER
23	50439	1	MANUBRIO - GUIDON - HANDLE BAR (SX)	67	50641	1	VITE - VIS - SCREW
24	40007	4	VITE - VIS - SCREW	68	50448	1	MOLLA - RESSORT - SPRING
25	50666	3	DADO - ECROU - NUT	69	50663	2	DADO - ECROU - NUT
26	50437	1	MANUBRIO - GUIDON - HANDLE BAR (DX)	70	50216	1	PULEGGIA - POULIE - PULLEY
27	50528	1	PIGNONE - PIGNON - PINION (DX)	71	50715	1	TELA - TOILE - CANVAS (Verde - Green)
28	50469	1	GOMMINO - CAOUTCHOUC - RUBBER		50727		TELA - TOILE - CANVAS (Nera - Black)
29	50656	2	VITE - VIS - SCREW	72	50743	1	TELAIO - CHASSIS - FRAME
30	50457	2	SUPPORTO - SUPPORT - BRAKET	73	50529	2	CORONA - COURONNE - CROWN
31	50662	6	VITE - VIS - SCREW	75	50597	1	MOLLA - RESSORT - SPRING (SX)
32	50020	4	COPRI MOZZO - COUVERCLE - WHEEL COVER	76	50461	1	MOLLA - RESSORT - SPRING (DX)
33	50667	8	CUSCINETTO - ROULEMENT - BEARING	77	50460	1	DEFLETTORE - DEFLECTEUR - DEFLECTOR
34	50692	2	RUOTA - ROUE - WHEEL	78	50441	1	PERNO - PIVOT - PIN
35	50174	2	PARAPOLVERE - PROTECTION - GUARD	79	50104	1	CARTER (DX)
36	50544	4	DISTANZIALE - ENTRETOISE - SPACER	80	50103	1	CARTER (SX)
37	50009	1	KIT: TRASMISSIONE - BOITE DE VIT. - GEARBOX	81	50042	2	PIASTRA - PLAQUE - PLATE
38	50459	2	SUPPORTO - SUPPORT - BRACKET	82	50657	4	VITE - VIS - SCREW
39	50427	1	ASSALE - AXE - AXLE	83	50094	1	LEVA GAS - LEVIER GAS - GAS LEVER
40	50324	1	CINGHIA - COURROIE - BELT	84	50479	1	CARTER - CAPOT - COVER
41	50690	2	RUOTA - ROUE - WHEEL	85	50831	1	ASSALE - AXE - AXLE
42	50458	2	SUPPORTO - SUPPORT - BRAKET	86	50830	2	VITE - VIS - SCREW
43	20218	2	SEGEER	87	50880	1	GOMMA ADESIVA - CAOUTCHOUC - RUBBER
44	50454	1	CARTER - CAPOT - HOUSING (Rosso - Red)	102	50640	6	VITE - VIS - SCREW
	50586		CARTER - CAPOT - HOUSING (Grigio - Gray)	103	50700	2	RUOTA - ROUE - WHEEL

NOTE - NOTES



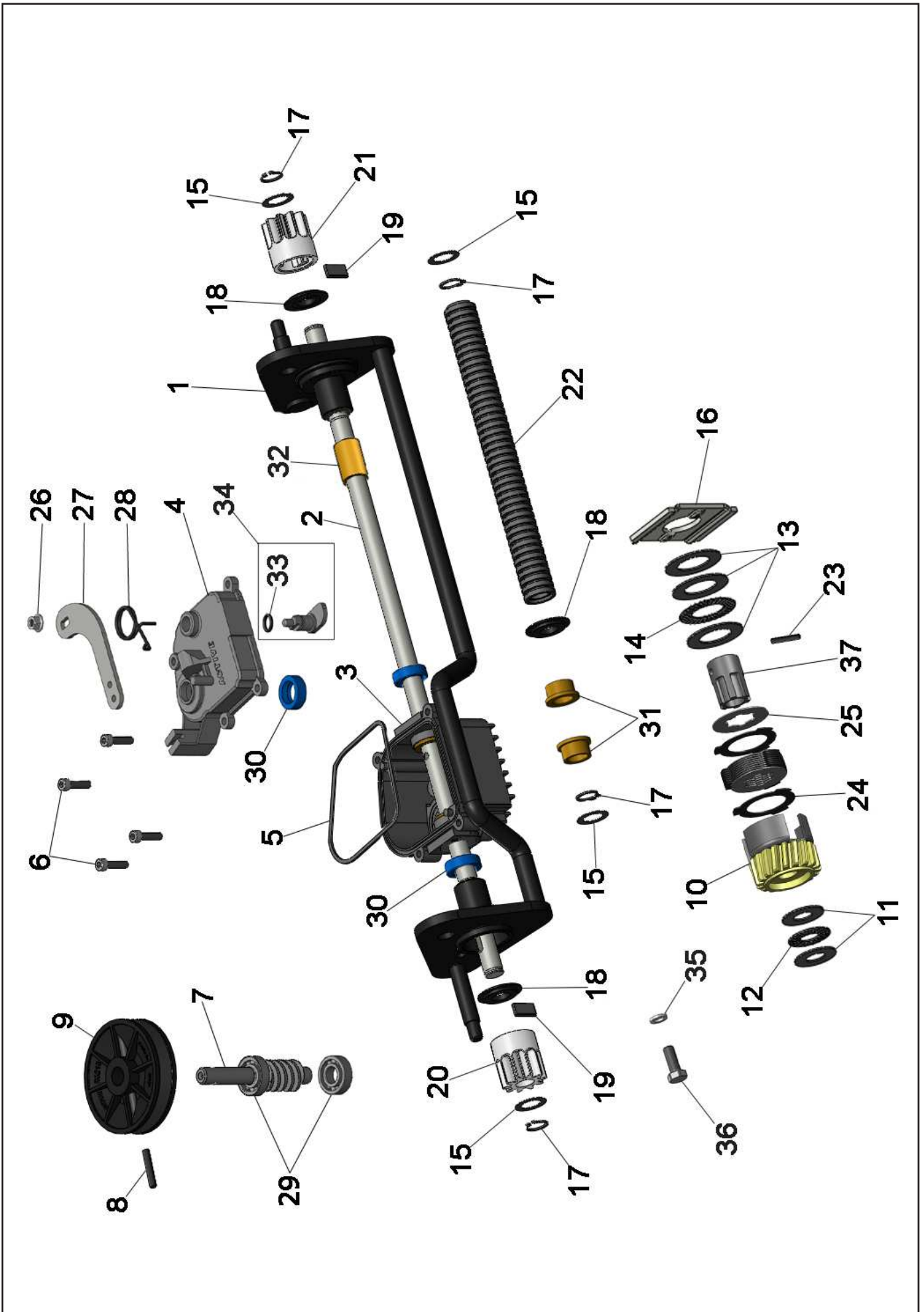
Valido dal N° di serie

A partir de N° de matricule suivant

From serial N°

49SB100001

50009 Trasmissione - Transmission - Transmission

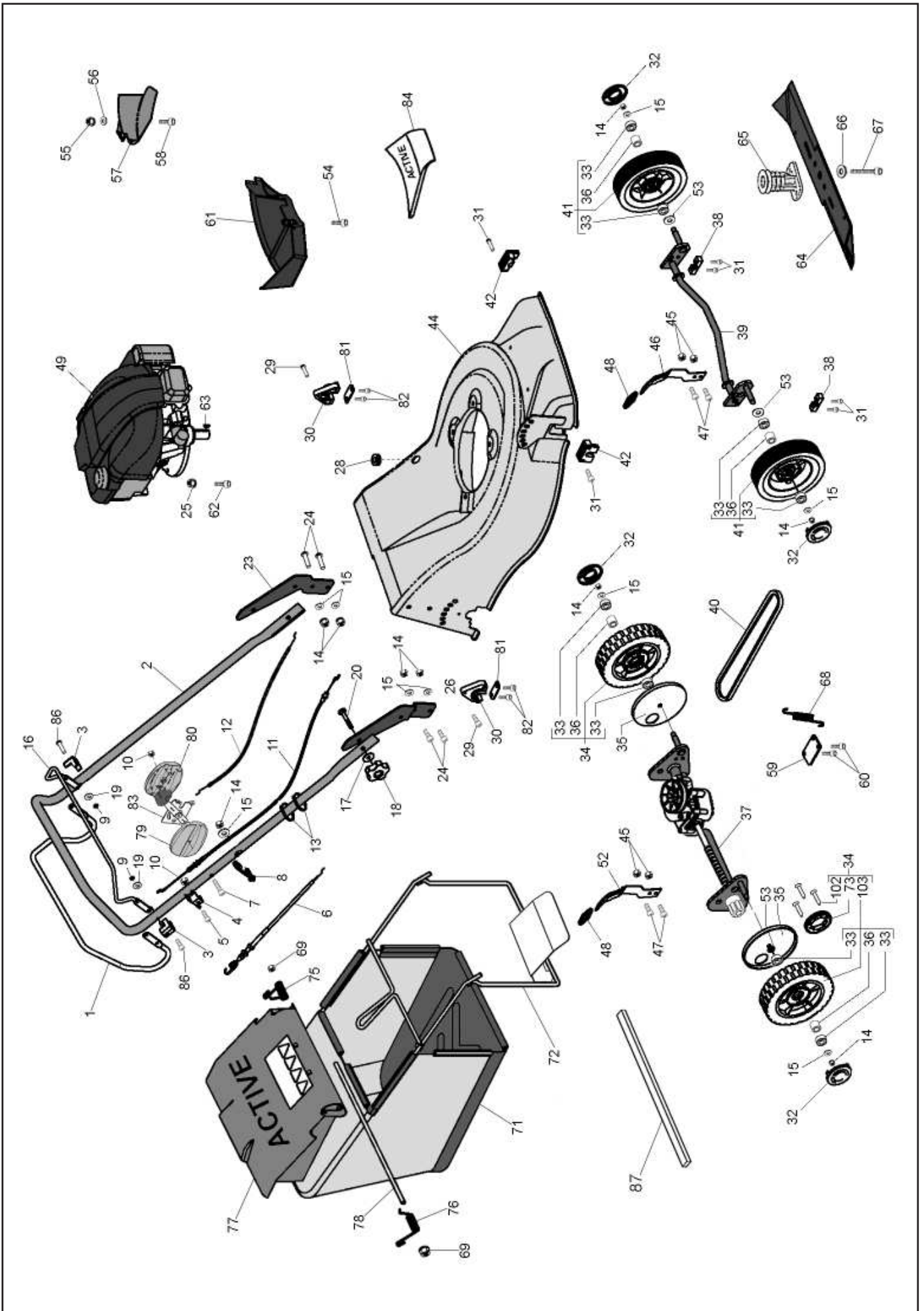


50009 Trasmissione - Transmission - Transmission

RIF. REF.	COD. N° / P P / N°	Q.	DESCRIZIONE - DESCRIPTION	RIF. REF.	COD. N° / P P / N°	Q.	DESCRIZIONE - DESCRIPTION
1	50434	1	ASSALE - AXE - AXLE	20	50527	1	PIGNONE - PIGNON - PINION (SX)
2	50575	1	ALBERO - ARBRE - SHAFT	21	50528	1	PIGNONE - PIGNON - PINION (DX)
3	50606	1	SCATOLA - BOITE - BOX	22	50109	1	PROTEZIONE - PROTECTION - GUARD
4	50229	1	COPERCHIO - COUVERTURE - COVER	23	50295	1	SPINA ELAST. - GOUPILLES - ELAST.PIN
5	50321	1	GUARNIZIONE - JOINT - GASKET	24	50706	10	DISCO - DISK
6	20001	4	VITE - VIS - SCREW	25	50707	10	DISCO - DISK
7	50524	1	VITE S.F. - VIS - SCREW	26	50519	1	DADO - ECROU - NUT
8	50298	1	SPINA ELAST. - GOUPILLES - ELAST.PIN	27	50255	1	LEVA - LEVIER - LEVER
9	50216	1	PULEGGIA - PUOLIE - PULLEY (Ø71)	28	50310	1	MOLLA - RESSORT - SPRING
10	50281	1	ASSIEME CAMPANA - TAMBOUR - DRUM	29	22511	2	CUSCINETTO - ROULEMENT - BEARING
11	50303	1	RONDELLA - RONDELLE - WASHER	30	50320	3	ANELLO DI TENUTA - JOINT - SEAL
12	50521	1	CUSCINETTO - ROULEMENT - BEARING	31	50540	2	BUSSOLA - ENTRETOISE - SPACER
13	50261	3	RONDELLA - RONDELLE - WASHER	32	50541	2	BUSSOLA - ENTRETOISE - SPACER
14	50522	1	CUSCINETTO - ROULEMENT - BEARING	33	20324	1	O-RING
15	50678	4	RASAMENTO - RONDELLE - WASHER SHIMS	34	50179	1	LEVA - LEVIER - LEVER
16	50546	1	LEVA - LEVIER - LEVER	35	50772	1	RONDELLA - RONDELLE - WASHER
17	20218	4	SEEGER	36	50771	1	VITE - VIS - SCREW
18	50186	3	PROTEZIONE - PROTECTION - GUARD	37	50284	1	BUSSOLA - ENTRETOISE - SPACER
19	50188	2	CHIAVETTA - CLAVETTE - KEY				

NOTE - NOTES

Rasaerba - Tondeuses - Lawn mowers (4900 SB)



Rasaerba - Tondeuses - Lawn mowers (4900 SB)

RIF.	COD.	Q.	DESCRIZIONE - DESCRIPTION	RIF.	COD.	Q.	DESCRIZIONE - DESCRIPTION
REF.	N° / P P / N°			REF.	N° / P P / N°		
1	50177	1	MANIGLIA - POIGNEE - HANDLE	45	20289	4	DADO - ECROU - NUT
2	50380	1	MANUBRIO - GUIDON - HANDLE BAR	46	50420	1	LEVA - LEVIER - LEVER
3	50558	2	STAFFA - ETRIER - STIRRUP	47	22798	4	VITE - VIS - SCREW
4	50206	1	STAFFA - ETRIER - STIRRUP	48	50018	2	IMPUGNATURA - POIGNEE GUIDON - HANDLE
5	40092	1	VITE - VIS - SCREW	49	50601	1	MOTORE - MOTEUR - ENGINE
6	50472	1	CAVO - CABLE (Trazione - Traction)	52	50430	1	LEVA - LEVIER - LEVER
7	20190	1	VITE - VIS - SCREW	53	20790	4	RONDELLA - RONDELLE - WASHER
8	50105	1	GUIDA - SUPPORT - BRACKET	54	50659	1	VITE - VIS - SCREW
9	31216	2	DADO - ECROU - NUT	55	50660	1	MANOPOLA - POIGNEE - HANDLE
10	20176	2	DADO - ECROU - NUT	56	20316	1	RONDELLA - RONDELLE - WASHER
11	50095	1	CAVO - CABLE (Freno - Brake)	57	50468	1	TAPPO MULCHING - FERMATURE - MULCHING PLUG
12	50069	1	CAVO - CABLE (Gas)	58	50658	1	VITE - VIS - SCREW
13	50314	2	FASCETTA - CLIP	59	50447	1	PIASTRA - PLAQUE - PLATE
14	20788	9	DADO - ECROU - NUT	60	20272	2	VITE - VIS - SCREW
15	20711	9	RONDELLA - RONDELLE - WASHER	61	50452	1	CARTER - CAPOT - COVER
16	50175	1	MANIGLIA - POIGNEE - HANDLE	62	40720	3	VITE - VIS - SCREW
17	21686	2	RONDELLA - RONDELLE - WASHER	63	50305	1	CHIAVETTA - CLAVETTE - KEY
18	50025	2	MANOPOLA - POIGNEE - HANDLE	64	50466	1	LAMA - LAME - BLADE (46 cm)
19	21139	6	RONDELLA - RONDELLE - WASHER	65	50607	1	MOZZO - MOYEUR - HUB (Ø22,2)
20	50668	2	VITE - VIS - SCREW	66	50538	1	RONDELLA - RONDELLE - WASHER
23	50439	1	MANUBRIO - GUIDON - HANDLE BAR (SX)	67	50641	1	VITE - VIS - SCREW
24	40007	4	VITE - VIS - SCREW	68	50448	1	MOLLA - RESSORT - SPRING
25	50666	3	DADO - ECROU - NUT	69	50663	2	DADO - ECROU - NUT
26	50437	1	MANUBRIO - GUIDON - HANDLE BAR (DX)	71	50715	1	TELA - TOILE - CANVAS (Verde - Green)
28	50469	1	GOMMINO - CAOUTCHOUC - RUBBER	71	50727	1	TELA - TOILE - CANVAS (Nera - Black)
29	50656	2	VITE - VIS - SCREW	72	50743	1	TELAIO - CHASSIS - FRAME
30	50457	2	SUPPORTO - SUPPORT - BRACKET	73	50529	2	CORONA - COURONNE - CROWN
31	50662	6	VITE - VIS - SCREW	75	50597	1	MOLLA - RESSORT - SPRING (SX)
32	50020	4	COPRI MOZZO - COUVERCLE - WHEEL COVER	76	50461	1	MOLLA - RESSORT - SPRING (DX)
33	50667	8	CUSCINETTO - ROULEMENT - BEARING	77	50460	1	DEFLETTORE - DEFLECTEUR - DEFLECTOR
34	50692	2	RUOTA - ROUE - WHEEL	78	50441	1	PERNO - PIVOT - PIN
35	50174	2	PARAPOLVERE - PROTECTION - GUARD	79	50104	1	CARTER (DX)
36	50544	4	DISTANZIALE - ENTRETOISE - SPACER	80	50103	1	CARTER (SX)
37	50954	1	KIT: TRASMISSIONE - BOITE DE VIT. - GEARBOX	81	50042	2	PIASTRA - PLAQUE - PLATE
38	50459	2	SUPPORTO - SUPPORT - BRACKET	82	50657	4	VITE - VIS - SCREW
39	50427	1	ASSALE - AXE - AXLE	83	50094	1	LEVA GAS - LEVIER GAS - GAS LEVER
40	50883	1	CINGHIA - COURROIE - BELT	84	50479	1	CARTER - CAPOT - COVER
41	50690	2	RUOTA - ROUE - WHEEL	86	50830	2	VITE - VIS - SCREW
42	50458	2	SUPPORTO - SUPPORT - BRACKET	87	50880	1	GOMMA ADESIVA - CAOUTCHOUC - RUBBER
44	50454	1	CARTER - CAPOT - HOUSING (Rosso - Red)	102	50640	6	VITE - VIS - SCREW
	50586		CARTER - CAPOT - HOUSING (Grigio - Gray)	103	50700	2	RUOTA - ROUE - WHEEL

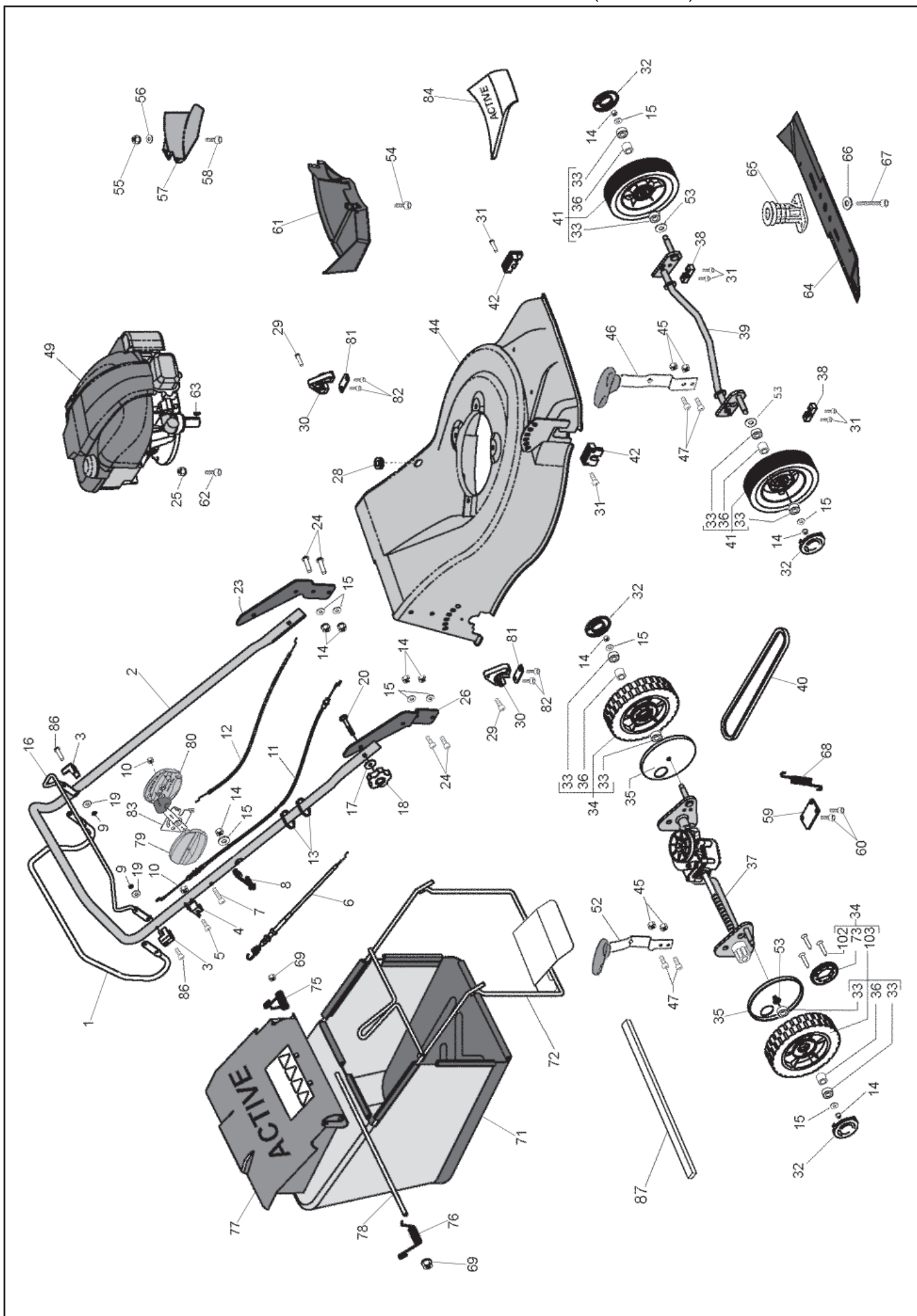
NOTE - NOTES



Valido dal N° di serie
A partir de N° de matricule suivant
From serial N°

49SB110001

Rasaerba - Tondeuses - Lawn mowers (4900 SB)



Rasaerba - Tondeuses - Lawn mowers (4900 SB)

RIF.	COD.	Q.	DESCRIZIONE - DESCRIPTION	RIF.	COD.	Q.	DESCRIZIONE - DESCRIPTION
REF.	N° / P P / N°			REF.	N° / P P / N°		
1	50177	1	MANIGLIA - POIGNEE - HANDLE	45	20289	4	DADO - ECROU - NUT
2	50380	1	MANUBRIO - GUIDON - HANDLE BAR	46	50419	1	LEVA - LEVIER - LEVER
3	50558	2	STAFFA - ETRIER - STIRRUP	47	22798	4	VITE - VIS - SCREW
4	50206	1	STAFFA - ETRIER - STIRRUP	49	50601	1	MOTORE - MOTEUR - ENGINE
5	40092	1	VITE - VIS - SCREW	52	50429	1	LEVA - LEVIER - LEVER
6	50472	1	CAVO - CABLE (Trazione - Traction)	53	20790	4	RONDELLA - RONDELLE - WASHER
7	20190	1	VITE - VIS - SCREW	54	50659	1	VITE - VIS - SCREW
8	50105	1	GUIDA - SUPPORT - BRACKET	55	50660	1	MANOPOLA - POIGNEE - HANDLE
9	31216	2	DADO - ECROU - NUT	56	20316	1	RONDELLA - RONDELLE - WASHER
10	20176	2	DADO - ECROU - NUT	57	50468	1	TAPPO MULCHING - FERMATURE - MULCHING PLUG
11	50095	1	CAVO - CABLE (Freno - Brake)	58	50658	1	VITE - VIS - SCREW
12	50069	1	CAVO - CABLE (Gas)	59	50447	1	PIASTRA - PLAQUE - PLATE
13	50314	2	FASCETTA - CLIP	60	20272	2	VITE - VIS - SCREW
14	20788	9	DADO - ECROU - NUT	61	50452	1	CARTER - CAPOT - COVER
15	20711	9	RONDELLA - RONDELLE - WASHER	62	40720	3	VITE - VIS - SCREW
16	50175	1	MANIGLIA - POIGNEE - HANDLE	63	50305	1	CHIAVETTA - CLAVETTE - KEY
17	21686	2	RONDELLA - RONDELLE - WASHER	64	50466	1	LAMA - LAME - BLADE (46 cm)
18	50025	2	MANOPOLA - POIGNEE - HANDLE	65	50607	1	MOZZO - MOYEUR - HUB (Ø22,2)
19	21139	6	RONDELLA - RONDELLE - WASHER	66	50538	1	RONDELLA - RONDELLE - WASHER
20	50668	2	VITE - VIS - SCREW	67	50641	1	VITE - VIS - SCREW
23	50439	1	MANUBRIO - GUIDON - HANDLE BAR (SX)	68	50448	1	MOLLA - RESSORT - SPRING
24	40007	4	VITE - VIS - SCREW	69	50663	2	DADO - ECROU - NUT
25	50666	3	DADO - ECROU - NUT	71	50715	1	TELA - TOILE - CANVAS (Verde - Green)
26	50437	1	MANUBRIO - GUIDON - HANDLE BAR (DX)	71	50727	1	TELA - TOILE - CANVAS (Nera - Black)
28	50469	1	GOMMINO - CAOUTCHOUC - RUBBER	72	50743	1	TELAIO - CHASSIS - FRAME
29	50656	2	VITE - VIS - SCREW	73	50529	2	CORONA - COURONNE - CROWN
30	50457	2	SUPPORTO - SUPPORT - BRACKET	75	50597	1	MOLLA - RESSORT - SPRING (SX)
31	50662	6	VITE - VIS - SCREW	76	50461	1	MOLLA - RESSORT - SPRING (DX)
32	50020	4	COPRI MOZZO - COUVERCLE - WHEEL COVER	77	50460	1	DEFLETTORE - DEFLECTEUR - DEFLECTOR
33	50667	8	CUSCINETTO - ROULEMENT - BEARING	78	50441	1	PERNO - PIVOT - PIN
34	50692	2	RUOTA - ROUE - WHEEL	79	50104	1	CARTER (DX)
35	50174	2	PARAPOLVERE - PROTECTION - GUARD	80	50103	1	CARTER (SX)
36	50544	4	DISTANZIALE - ENTRETOISE - SPACER	81	50042	2	PIASTRA - PLAQUE - PLATE
37	50954	1	KIT: TRASMISSIONE - BOITE DE VIT. - GEARBOX	82	50657	4	VITE - VIS - SCREW
38	50459	2	SUPPORTO - SUPPORT - BRACKET	83	50094	1	LEVA GAS - LEVIER GAS - GAS LEVER
39	50427	1	ASSALE - AXE - AXLE	84	50479	1	CARTER - CAPOT - COVER
40	50883	1	CINGHIA - COURROIE - BELT	86	50830	2	VITE - VIS - SCREW
41	50690	2	RUOTA - ROUE - WHEEL	87	50880	1	GOMMA ADESIVA - CAOUTCHOUC - RUBBER
42	50458	2	SUPPORTO - SUPPORT - BRACKET	102	50640	6	VITE - VIS - SCREW
44	50454	1	CARTER - CAPOT - HOUSING (Rosso - Red)	103	50700	2	RUOTA - ROUE - WHEEL
	50586		CARTER - CAPOT - HOUSING (Grigio - Gray)				

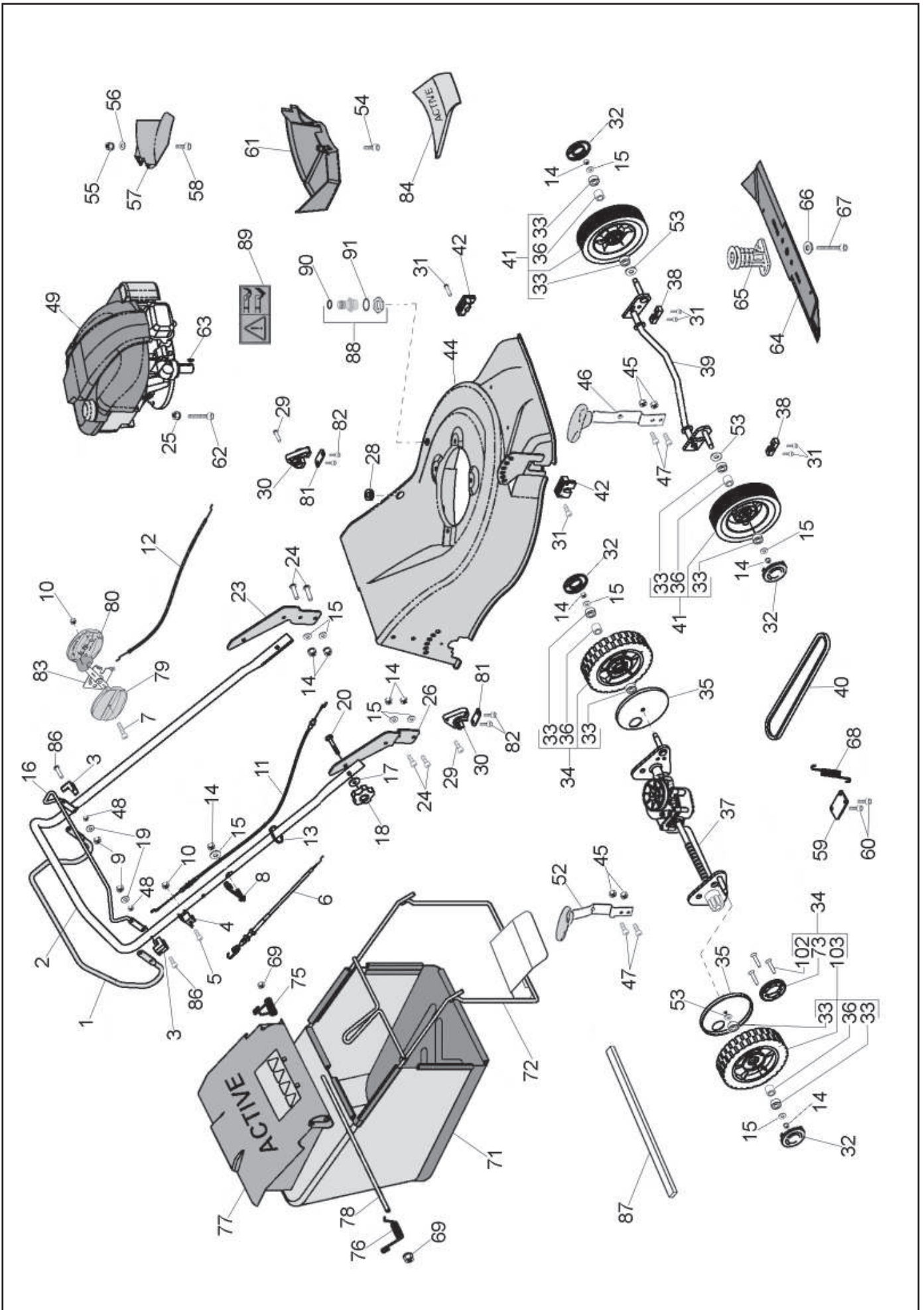
NOTE - NOTES



Valido dal N° di serie
A partir de N° de matricule suivant
From serial N°

49SB120001

Rasaerba - Tondeuses - Lawn mowers (4900 SB)



Rasaerba - Tondeuses - Lawn mowers (4900 SB)

RIF.	COD.	Q.	DESCRIZIONE - DESCRIPTION	RIF.	COD.	Q.	DESCRIZIONE - DESCRIPTION
REF.	N° / P P / N°			REF.	N° / P P / N°		
1	50177	1	MANIGLIA - POIGNEE - HANDLE	48	20917	2	DADO - ECROU - NUT
2	50380	1	MANUBRIO - GUIDON - HANDLE BAR	49	50601	1	MOTORE - MOTEUR - ENGINE
3	50558	2	STAFFA - ETRIER - STIRRUP	52	50429	1	LEVA - LEVIER - LEVER
4	50206	1	STAFFA - ETRIER - STIRRUP	53	20790	4	RONDELLA - RONDELLE - WASHER
5	40092	1	VITE - VIS - SCREW	54	50659	1	VITE - VIS - SCREW
6	50472	1	CAVO - CABLE (Trazione - Traction)	55	50660	1	MANOPOLA - POIGNEE - HANDLE
7	20190	1	VITE - VIS - SCREW	56	20316	1	RONDELLA - RONDELLE - WASHER
8	50105	1	GUIDA - SUPPORT - BRACKET	57	50468	1	TAPPO MULCHING - FERMATURE - MULCHING PLUG
9	31216	2	DADO - ECROU - NUT	58	50658	1	VITE - VIS - SCREW
10	20176	2	DADO - ECROU - NUT	59	50447	1	PIASTRA - PLAQUE - PLATE
11	50095	1	CAVO - CABLE (Freno - Brake)	60	20272	2	VITE - VIS - SCREW
12	50069	1	CAVO - CABLE (Gas)	61	50452	1	CARTER - CAPOT - COVER
13	50314	2	FASCETTA - CLIP	62	40720	3	VITE - VIS - SCREW
14	20788	9	DADO - ECROU - NUT	63	50305	1	CHIAVETTA - CLAVETTE - KEY
15	20711	9	RONDELLA - RONDELLE - WASHER	64	50466	1	LAMA - LAME - BLADE (46 cm)
16	50175	1	MANIGLIA - POIGNEE - HANDLE	65	50607	1	MOZZO - MOYEUR - HUB (Ø22,2)
17	21686	2	RONDELLA - RONDELLE - WASHER	66	50538	1	RONDELLA - RONDELLE - WASHER
18	50025	2	MANOPOLA - POIGNEE - HANDLE	67	50641	1	VITE - VIS - SCREW
19	21139	2	RONDELLA - RONDELLE - WASHER	68	50448	1	MOLLA - RESSORT - SPRING
20	50668	2	VITE - VIS - SCREW	69	50663	2	DADO - ECROU - NUT
23	50439	1	MANUBRIO - GUIDON - HANDLE BAR (SX)	71	50715	1	TELA - TOILE - CANVAS (Verde - Green)
24	40007	4	VITE - VIS - SCREW		50727		TELA - TOILE - CANVAS (Nera - Black)
25	50666	3	DADO - ECROU - NUT	72	50743	1	TELAIO - CHASSIS - FRAME
26	50437	1	MANUBRIO - GUIDON - HANDLE BAR (DX)	73	50529	2	CORONA - COURONNE - CROWN
28	50469	1	GOMMINO - CAOUTCHOUC - RUBBER	75	50597	1	MOLLA - RESSORT - SPRING (SX)
29	50656	2	VITE - VIS - SCREW	76	50461	1	MOLLA - RESSORT - SPRING (DX)
30	50457	2	SUPPORTO - SUPPORT - BRACKET	77	50460	1	DEFLETTORE - DEFLECTEUR - DEFLECTOR
31	50662	6	VITE - VIS - SCREW	78	50441	1	PERNO - PIVOT - PIN
32	50020	4	COPRI MOZZO - COUVERCLE - WHEEL COVER	79	50104	1	CARTER (DX)
33	50667	8	CUSCINETTO - ROULEMENT - BEARING	80	50103	1	CARTER (SX)
34	50692	2	RUOTA - ROUE - WHEEL	81	50042	2	PIASTRA - PLAQUE - PLATE
35	50174	2	PARAPOLVERE - PROTECTION - GUARD	82	50657	4	VITE - VIS - SCREW
36	50544	4	DISTANZIALE - ENTRETOISE - SPACER	83	50094	1	LEVA GAS - LEVIER GAS - GAS LEVER
37	50954	1	KIT: TRASMISSIONE - BOITE DE VIT. - GEARBOX	84	50479	1	CARTER - CAPOT - COVER
38	50459	2	SUPPORTO - SUPPORT - BRACKET	85	50831	1	ASSALE - AXE - AXLE
39	50427	1	ASSALE - AXE - AXLE	86	22045	2	VITE - VIS - SCREW
40	50883	1	CINGHIA - COURROIE - BELT	87	50880	1	GOMMA ADESIVA - CAOUTCHOUC - RUBBER
41	50690	2	RUOTA - ROUE - WHEEL	88	50209	1	ATTACCO ACQUA - RACCORDEMENT à L'EAU - WATER CONNECTION
42	50458	2	SUPPORTO - SUPPORT - BRACKET	89	50909	1	ADESIVO - ADHESIF - ADHESIVE
44	50454	1	CARTER - CAPOT - HOUSING (Rosso - Red)	90	23755	1	GOMMINO - CAOUTCHOUC - RUBBER
	50586		CARTER - CAPOT - HOUSING (Grigio - Gray)	91	23758	1	GOMMINO - CAOUTCHOUC - RUBBER
45	20289	4	DADO - ECROU - NUT	102	50640	6	VITE - VIS - SCREW
46	50419	1	LEVA - LEVIER - LEVER	103	50700	2	RUOTA - ROUE - WHEEL
47	22798	4	VITE - VIS - SCREW				

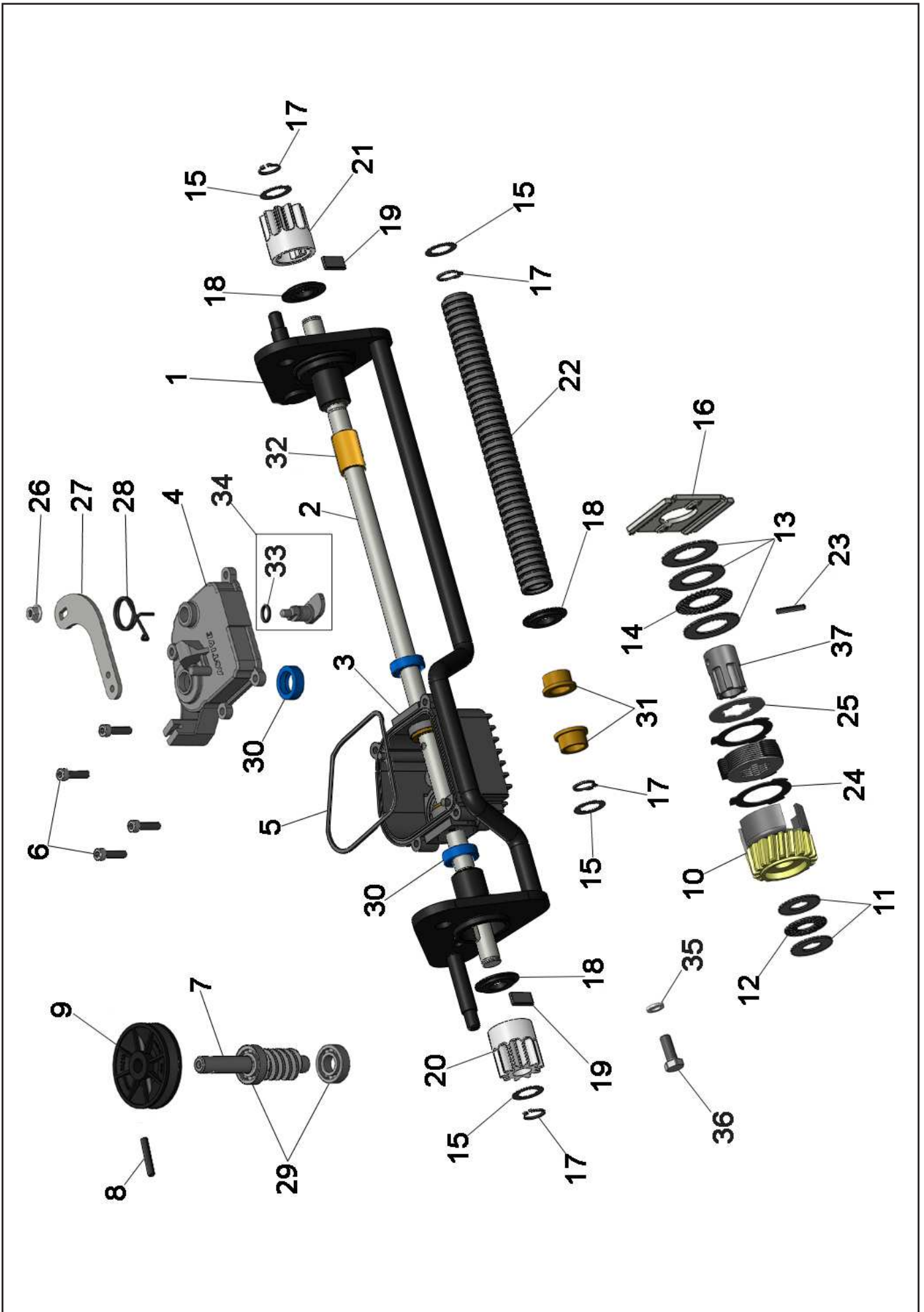
NOTE - NOTES



Valido dal N° di serie
A partir de N° de matricule suivant
From serial N°

49SB130001

50954 Trasmissione - Transmission - Transmission

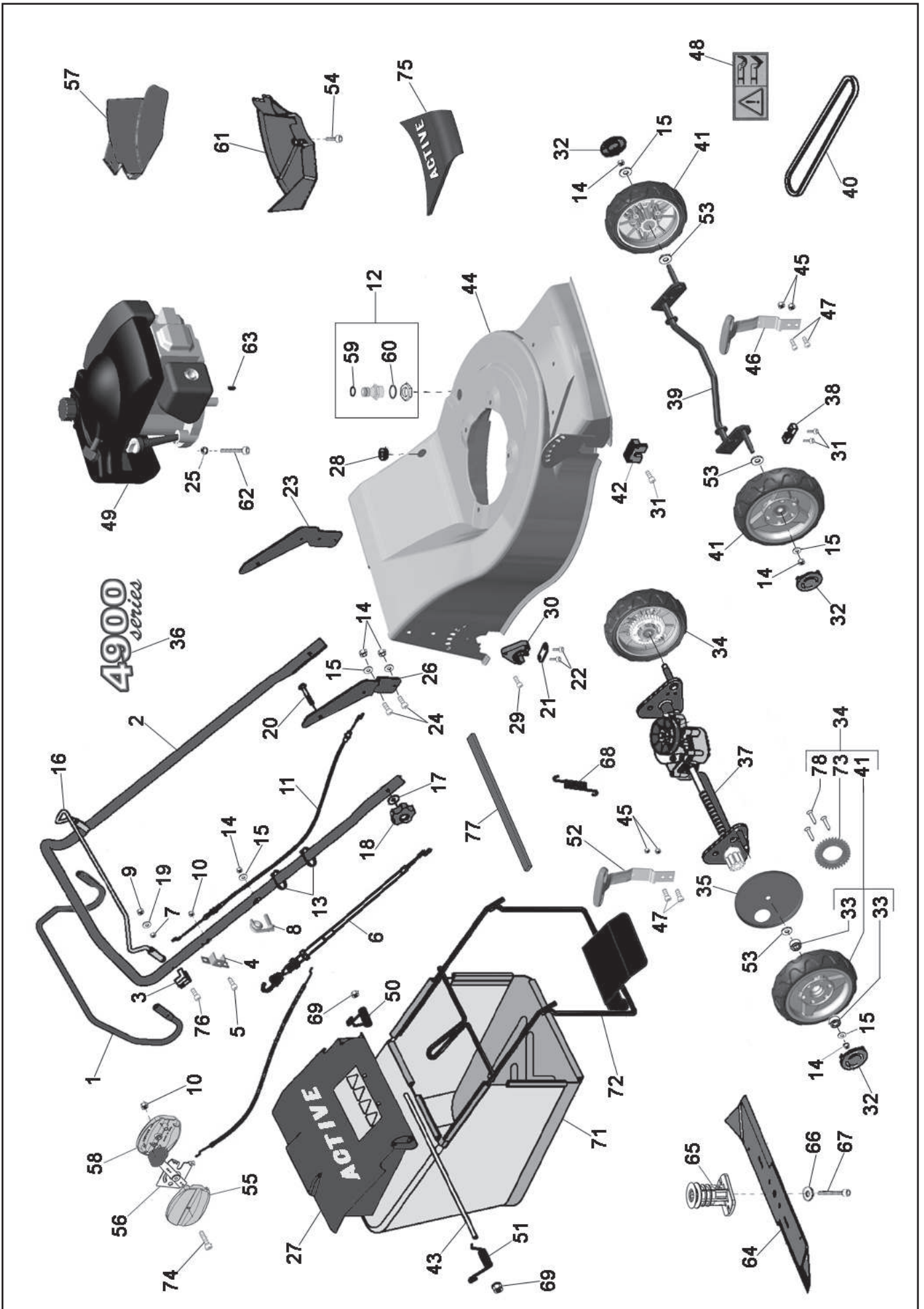


50954 Trasmissione - Transmission - Transmission

RIF. REF.	COD. N° / P P / N°	Q.	DESCRIZIONE - DESCRIPTION	RIF. REF.	COD. N° / P P / N°	Q.	DESCRIZIONE - DESCRIPTION
1	50434	1	ASSALE - AXE - AXLE	20	50527	1	PIGNONE - PIGNON - PINION (SX)
2	50575	1	ALBERO - ARBRE - SHAFT	21	50528	1	PIGNONE - PIGNON - PINION (DX)
3	50606	1	SCATOLA - BOITE - BOX	22	50109	1	PROTEZIONE - PROTECTION - GUARD
4	50229	1	COPERCHIO - COUVERTURE - COVER	23	50295	1	SPINA ELAST. - GOUPILLES - ELAST.PIN
5	50321	1	GUARNIZIONE - JOINT - GASKET	24	50706	10	DISCO - DISK
6	20001	4	VITE - VIS - SCREW	25	50707	10	DISCO - DISK
7	50524	1	VITE S.F. - VIS - SCREW	26	50519	1	DADO - ECROU - NUT
8	50881	1	SPINA ELAST. - GOUPILLES - ELAST.PIN	27	50255	1	LEVA - LEVIER - LEVER
9	50106	1	PULEGGIA - PUOLIE - PULLEY (Ø57)	28	50310	1	MOLLA - RESSORT - SPRING
10	50281	1	ASSIEME CAMPANA - TAMBOUR - DRUM	29	22511	2	CUSCINETTO - ROULEMENT - BEARING
11	50303	1	RONDELLA - RONDELLE - WASHER	30	50320	3	ANELLO DI TENUTA - JOINT - SEAL
12	50521	1	CUSCINETTO - ROULEMENT - BEARING	31	50540	2	BUSSOLA - ENTRETOISE - SPACER
13	50261	3	RONDELLA - RONDELLE - WASHER	32	50541	2	BUSSOLA - ENTRETOISE - SPACER
14	50522	1	CUSCINETTO - ROULEMENT - BEARING	33	20324	1	O-RING
15	50678	4	RASAMENTO - RONDELLE - WASHER SHIMS	34	50179	1	LEVA - LEVIER - LEVER
16	50546	1	LEVA - LEVIER - LEVER	35	50772	1	RONDELLA - RONDELLE - WASHER
17	20218	4	SEEGER	36	50771	1	VITE - VIS - SCREW
18	50186	3	PROTEZIONE - PROTECTION - GUARD	37	50284	1	BUSSOLA - ENTRETOISE - SPACER
19	50188	2	CHIAVETTA - CLAVETTE - KEY				

NOTE - NOTES

Rasaerba - Tondeuses - Lawn mowers (4900 SH)



Rasaerba - Tondeuses - Lawn mowers (4900 SH)

RIF.	COD.	Q.	DESCRIZIONE - DESCRIPTION	RIF.	COD.	Q.	DESCRIZIONE - DESCRIPTION
REF.	N° / P / N°			REF.	N° / P / N°		
1	50177	1	MANIGLIA - POIGNEE - HANDLE	41	50357	2	RUOTA - ROUE - WHEEL
2	50380	1	MANUBRIO - GUIDON - HANDLE BAR	42	50458	2	SUPPORTO - SUPPORT - BRAKET
3	50558	2	STAFFA - ETRIER - STIRRUP	43	50441	1	PERNO - PIVOT - PIN
4	50206	1	STAFFA - ETRIER - STIRRUP	44	50454	1	CARTER - CAPOT - HOUSING (Rosso - Red)
5	40092	1	VITE - VIS - SCREW		50586	1	CARTER - CAPOT - HOUSING (Grigio - Gray)
6	50475	1	CAVO - CABLE (Trazione - Traction)	45	20289	4	DADO - ECROU - NUT
7	20917	2	DADO - ECROU - NUT	46	50419	1	LEVA - LEVIER - LEVER
8	50105	1	GUIDA - SUPPORT - BRACKET	47	22798	4	VITE - VIS - SCREW
9	31216	2	DADO - ECROU - NUT	48	50909	1	ADESIVO - ADHESIF - ADHESIVE
10	20176	2	DADO - ECROU - NUT	49	50604	1	MOTORE - MOTEUR - ENGINE
11	50095	1	CAVO - CABLE (Freno - Brake)	50	50597	1	MOLLA - RESSORT - SPRING (SX)
12	50209	1	ATTACCO ACQUA - RACCORDEMENT à L'EAU - WATER CONNECTION	51	50461	1	MOLLA - RESSORT - SPRING (DX)
13	50314	2	FASCETTA - CLIP	52	50429	1	LEVA - LEVIER - LEVER
14	20788	9	DADO - ECROU - NUT	53	20790	4	RONDELLA - RONDELLE - WASHER
15	20711	9	RONDELLA - RONDELLE - WASHER	54	50659	1	VITE - VIS - SCREW
16	50175	1	MANIGLIA - POIGNEE - HANDLE	55	50104	1	CARTER - CAPOT - COVER (DX)
17	21686	2	RONDELLA - RONDELLE - WASHER	56	50094	1	LEVA - LEVIER - LEVER
18	50025	2	MANOPOLA - POIGNEE - HANDLE	57	50568	1	TAPPO MULCHING - FERMATURE - MULCHING PLUG
19	21139	2	RONDELLA - RONDELLE - WASHER	58	50545	1	CARTER - CAPOT - COVER (SX)
20	50668	2	VITE - VIS - SCREW	59	23755	1	GOMMINO - CAOUTCHOUC - RUBBER
21	50042	2	PIASTRA - PLAQUE - PLATE	60	23758	1	GOMMINO - CAOUTCHOUC - RUBBER
22	50657	4	VITE - VIS - SCREW	61	50452	1	CARTER - CAPOT - COVER
23	50439	1	MANUBRIO - GUIDON - HANDLE BAR (SX)	62	40720	4	VITE - VIS - SCREW
24	40007	4	VITE - VIS - SCREW	63	50306	1	CHIAVETTA - CLAVETTE - KEY
25	50666	3	DADO - ECROU - NUT	64	50466	1	LAMA - LAME - BLADE (46 cm)
26	50437	1	MANUBRIO - GUIDON - HANDLE BAR (DX)	65	50608	1	MOZZO - MOYEUX - HUB (Ø22,2)
27	50460	1	DEFLETTORE - DEFLECTEUR - DEFLECTOR	66	50538	1	RONDELLA - RONDELLE - WASHER
28	50469	1	GOMMINO - CAOUTCHOUC - RUBBER	67	50641	1	VITE - VIS - SCREW
29	50656	2	VITE - VIS - SCREW	68	50448	1	MOLLA - RESSORT - SPRING
30	50457	2	SUPPORTO - SUPPORT - BRAKET	69	50663	2	DADO - ECROU - NUT
31	50662	6	VITE - VIS - SCREW	71	50715	1	TELA - TOILE - CANVAS (Verde - Green)
32	50020	4	COPRI MOZZO - COUVERCLE - WHEEL COVER		50727	1	TELA - TOILE - CANVAS (Nera - Black)
33	50155	8	CUSCINETTO - ROULEMENT - BEARING	72	50743	1	TELAIO - CHASSIS - FRAME
34	50358	2	RUOTA - ROUE - WHEEL	73	50529	2	CORONA - COURONNE - CROWN
35	50174	2	PARAPOLVERE - PROTECTION - GUARD	74	20190	1	VITE - VIS - SCREW
36	50322	1	ADESIVO - ADHESIF - ADHESIVE	75	50479	1	CARTER - CAPOT - COVER
37	50379	1	KIT : TRASMISSIONE - BOITE DE VIT. - GEARBOX	76	22045	2	VITE - VIS - SCREW
38	50459	2	SUPPORTO - SUPPORT - BRACKET	77	50880	1	GOMMA ADESIVA - CAOUTCHOUC - RUBBER
39	50427	1	ASSALE - AXE - AXLE	78	50640	6	VITE - VIS - SCREW
40	50883	1	CINGHIA - COURROIE - BELT				

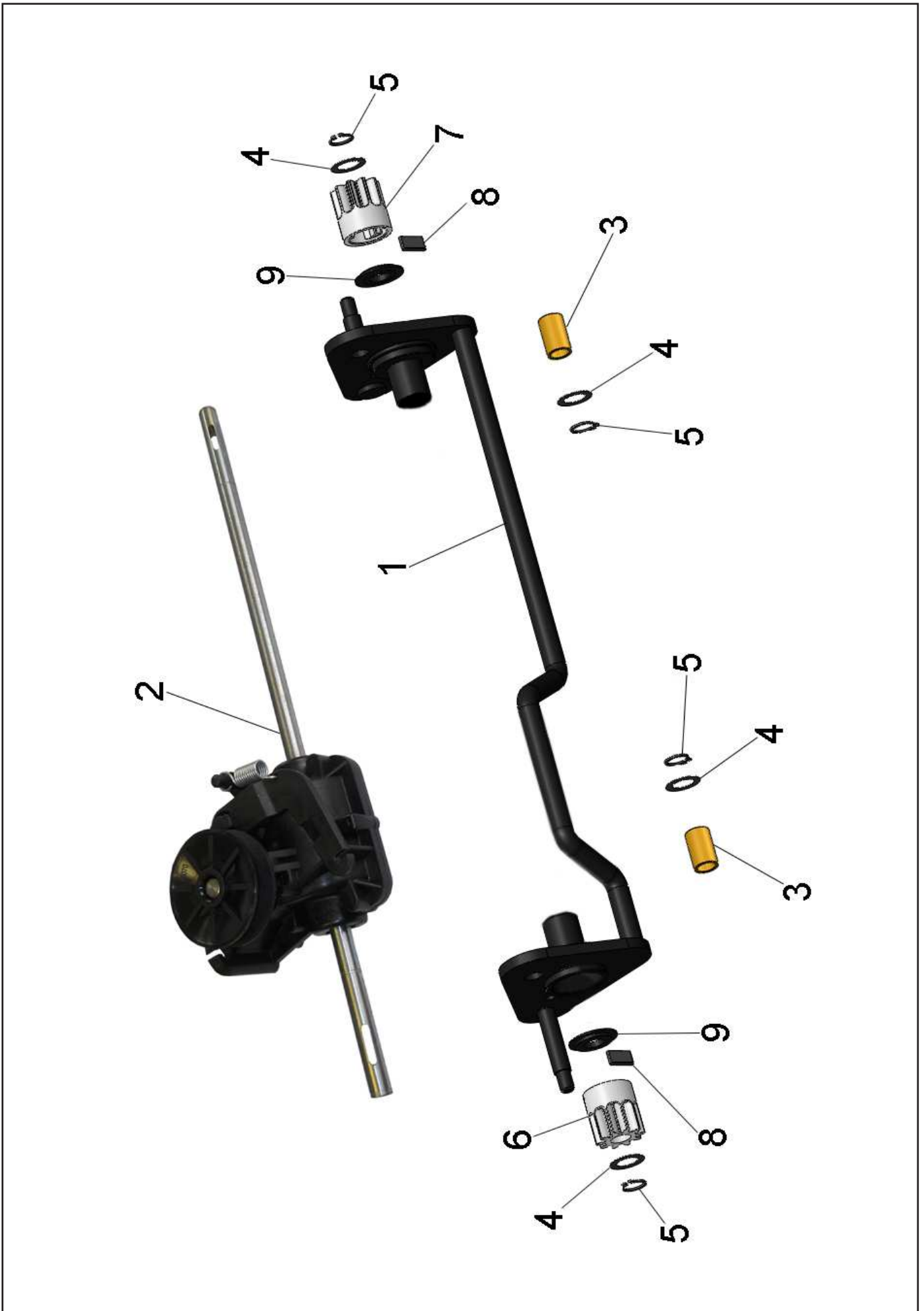
NOTE - NOTES



Valido dal N° di serie
A partir de N° de matricule suivant
From serial N°

49SH130001

50379 Trasmissione - Transmission - Transmission

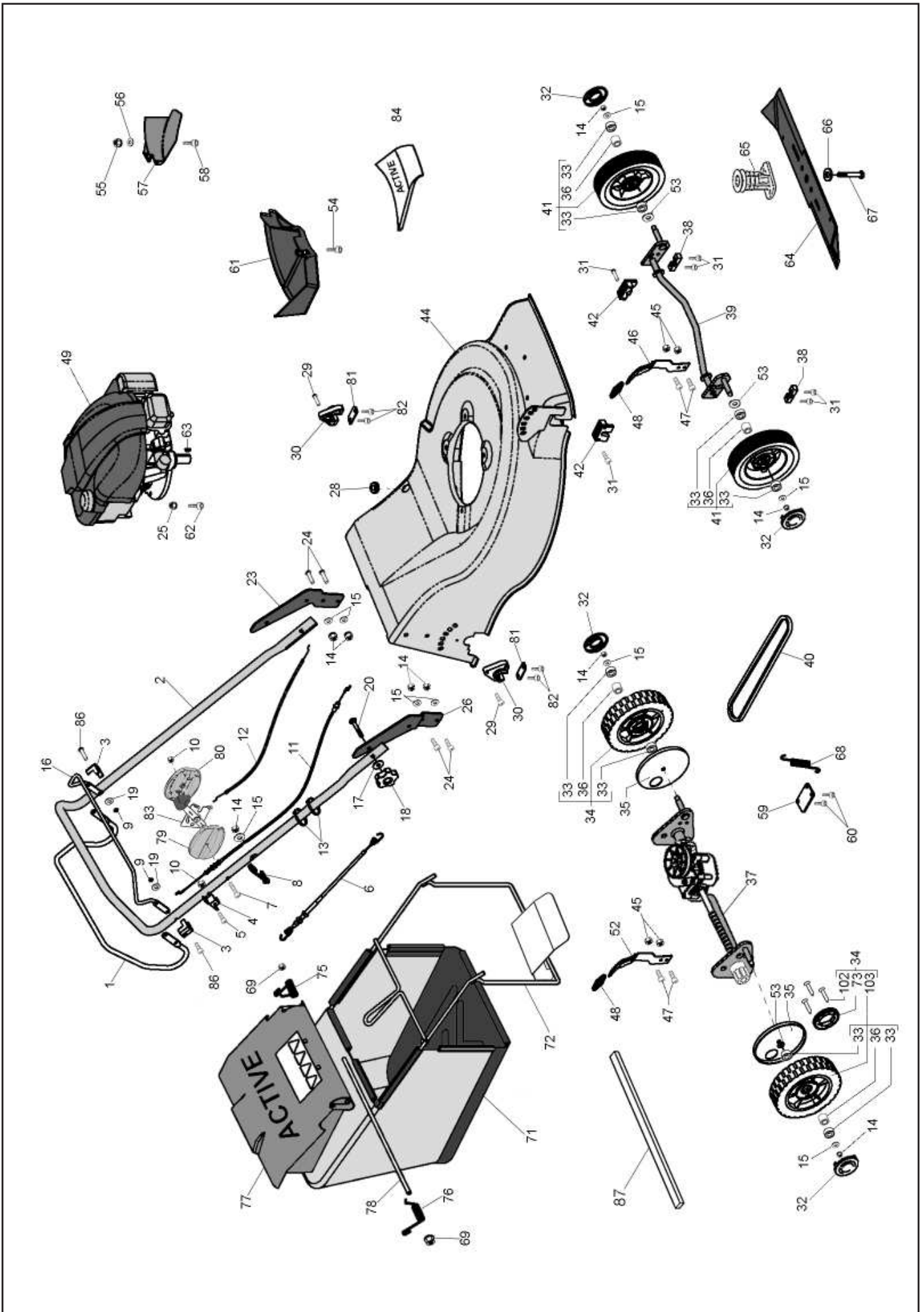


50379 Trasmissione - Transmission - Transmission

RIF. REF.	COD. N° / P P / N°	Q.	DESCRIZIONE - DESCRIPTION	RIF. REF.	COD. N° / P P / N°	Q.	DESCRIZIONE - DESCRIPTION
1	50434	1	ASSALE - AXE - AXLE	6	50527	1	PIGNONE - PIGNON - PINION (SX)
2	50245	1	TRASMISSIONE - BOITE DE VIT. - GEARBOX	7	50528	1	PIGNONE - PIGNON - PINION (DX)
3	50541	2	BUSSOLA - ENTRETOISE - SPACER	8	50188	2	CHIAVETTA - CLAVETTE - KEY
4	50678	4	RONDELLA - RONDELLE - WASHER	9	50186	2	PROTEZIONE - PROTECTION - GUARD
5	20218	4	SEEGER				

NOTE - NOTES

Rasaerba - Tondeuses - Lawn mowers (5300 SB)



Rasaerba - Tondeuses - Lawn mowers (5300 SB)

RIF.	COD.	Q.	DESCRIZIONE - DESCRIPTION	RIF.	COD.	Q.	DESCRIZIONE - DESCRIPTION
REF.	N° / P P / N°			REF.	N° / P P / N°		
1	50177	1	MANIGLIA - POIGNEE - HANDLE	46	50420	1	LEVA - LEVIER - LEVER
2	50380	1	MANUBRIO - MANCHERON - UPPER HANDLE	47	22798	4	VITE - VIS - SCREW
3	50558	2	STAFFA - ETRIER - STIRRUP	48	50018	2	IMPUGNATURA - POIGNEE GUIDON - HANDLE
4	50206	1	STAFFA - PALIER - BRACKET	49	50602	1	MOTORE - MOTEUR - ENGINE
5	40092	1	VITE - VIS - SCREW	52	50430	1	LEVA - LEVIER - LEVER
6	50472	1	CAVO - CABLE (Trazione - Traction)	53	20790	4	RONDELLA - RONDELLE - WASHER
7	20190	1	VITE - VIS - SCREW	54	50659	1	VITE - VIS - SCREW
8	50105	1	GUIDA ZONE START - MANCHERON - HANDLE	55	50660	1	MANOPOLA - POIGNEE - HANDLE
9	31216	2	DADO - ECROU - NUT	56	20316	1	RONDELLA - RONDELLE - WASHER
10	20176	2	DADO - ECROU - NUT	57	50468	1	TAPPO MULCHING
11	50095	1	CAVO - CABLE (Freno - Brake)	58	50658	1	VITE - VIS - SCREW
12	50069	1	CAVO - CABLE (Gas)	59	50447	1	PIASTRA - PLAQUE - PLATE
13	50314	2	FASCETTA - CLIP	60	20272	2	VITE - VIS - SCREW
14	20788	9	DADO - ECROU - NUT	61	50474	1	CARTERINO - COUVERCLE - COVER
15	20711	9	RONDELLA - RONDELLE - WASHER	62	40720	2	VITE - VIS - SCREW
16	50175	1	MANIGLIA - POIGNEE - HANDLE	62	50671	1	VITE - VIS - SCREW
17	21686	2	RONDELLA - RONDELLE - WASHER	63	50306	1	CHIAVETTA - CLAVETTE - KEY
18	50025	2	VOLANTINO - VOLANT - KNOB	64	50481	1	LAMA - LAME - BLADE (51 cm)
19	21139	6	RONDELLA - RONDELLE - WASHER	65	50608	1	MOZZO - MOYEUR - HUB (Ø25)
20	50668	2	VITE - VIS - SCREW	66	50538	1	RONDELLA - RONDELLE - WASHER
23	50439	1	MANUBRIO - MANCHERON - UPPER HANDLE	67	50641	1	VITE - VIS - SCREW
24	40007	4	VITE - VIS - SCREW	68	50448	1	MOLLA - RESSORT - SPRING
25	50666	3	DADO - ECROU - NUT	69	50663	2	DADO - ECROU - NUT
26	50437	1	MANUBRIO - MANCHERON - UPPER HANDLE	71	50715	1	TELA - TOILE - CANVAS (Verde - Green)
28	50469	1	GOMMINO - CAOUTCHOUC - RUBBER	71	50727	1	TELA - TOILE - CANVAS (Nera - Black)
29	50656	2	VITE - VIS - SCREW	72	50743	1	TELAIO - CHASSIS - FRAME
30	50457	2	SUPPORTO - SUPPORT - BRAKET	73	50529	2	CORONA - COURONNE - CROWN
31	50662	6	VITE - VIS - SCREW	75	50597	1	MOLLA - RESSORT - SPRING (SX)
32	50020	4	COPRIMOZZO - COUVERCLE - WHEEL COVER	76	50461	1	MOLLA - RESSORT - SPRING (DX)
33	50667	8	CUSCINETTO - ROULEMENT - BEARING	77	50460	1	DEFLETTORE - DEFLECTEUR - DEFLECTOR
34	50692	2	RUOTA - ROUE - WHEEL	78	50441	1	PERNO - PIVOT - PIN
35	50174	2	PARAPOLVERE - PROTECTION - GUARD	79	50104	1	CARTER (DX)
36	50544	4	DISTANZIALE - ENTRETOISE - SPACER	80	50103	1	CARTER (SX)
37	50009	1	KIT : TRASMISSIONE - BOITE DE VIT. - GEARBOX	81	50042	2	PIASTRA - PLAQUE - PLATE
38	50459	2	SUPPORTO - SUPPORT - BRAKET	82	50657	4	VITE - VIS - SCREW
39	50427	1	ASSALE - AXE - AXLE	83	50094	1	LEVA GAS - LEVIER GAS - GAS LEVER
40	50325	1	CINGHIA - COURROIE - BELT	84	50479	1	CARTER - CAPOT - COVER
41	50690	2	RUOTA - ROUE - WHEEL	86	50830	2	VITE - VIS - SCREW
42	50458	2	SUPPORTO - SUPPORT - BRAKET	87	50880	1	GOMMA ADESIVA - CAOUTCHOUC - RUBBER
44	50476	1	CARTER - CAPOT - HOUSING (Rosso - Red)	102	50640	6	VITE - VIS - SCREW
	50587	1	CARTER - CAPOT - HOUSING (Grigio - Gray)	103	50700	2	RUOTA - ROUE - WHEEL
45	20289	4	DADO - ECROU - NUT				

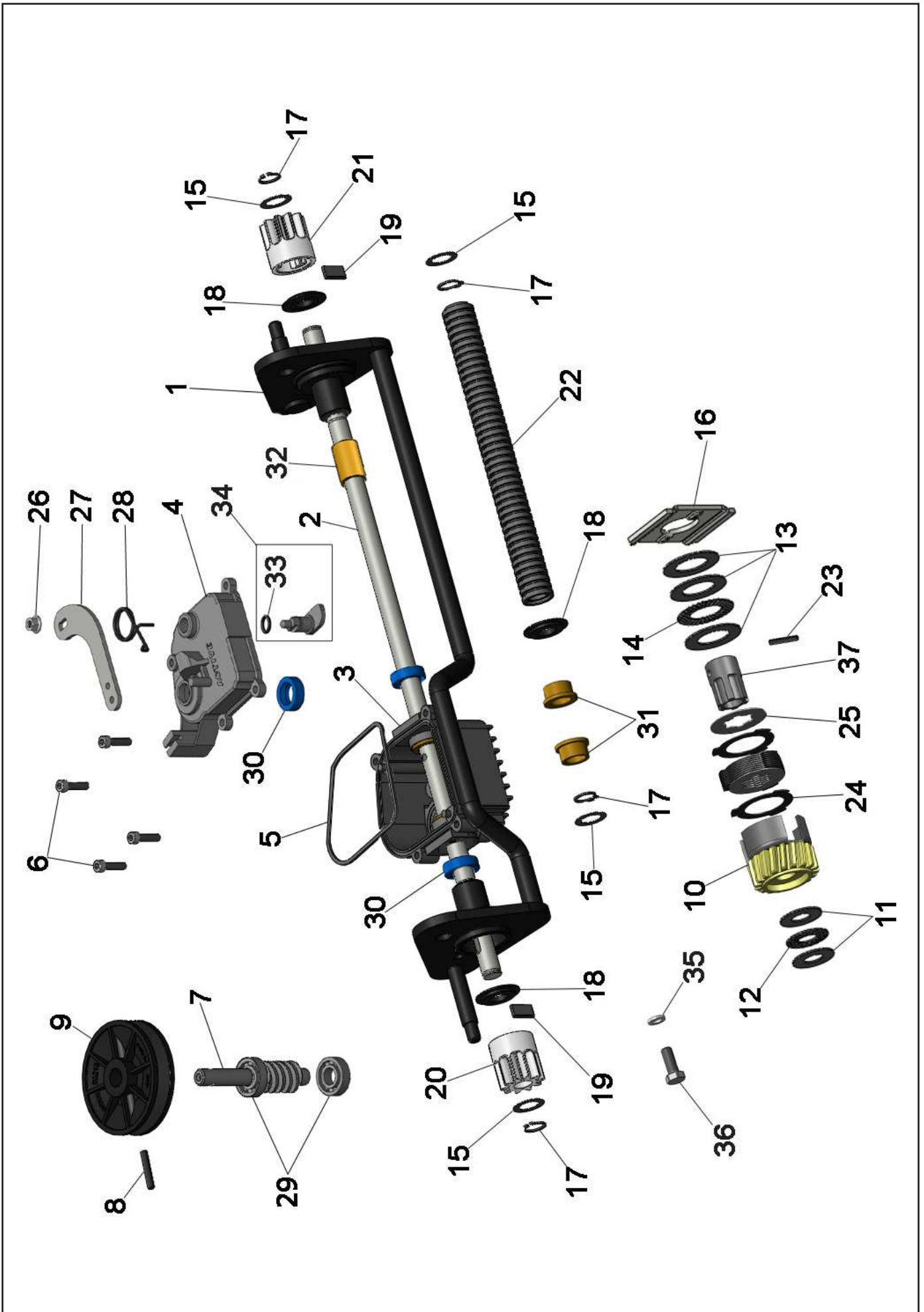
NOTE - NOTES



Valido dal N° di serie
A partir de N° de matricule suivant
From serial N°

53SB100001

50009 Trasmissione - Transmission - Transmission

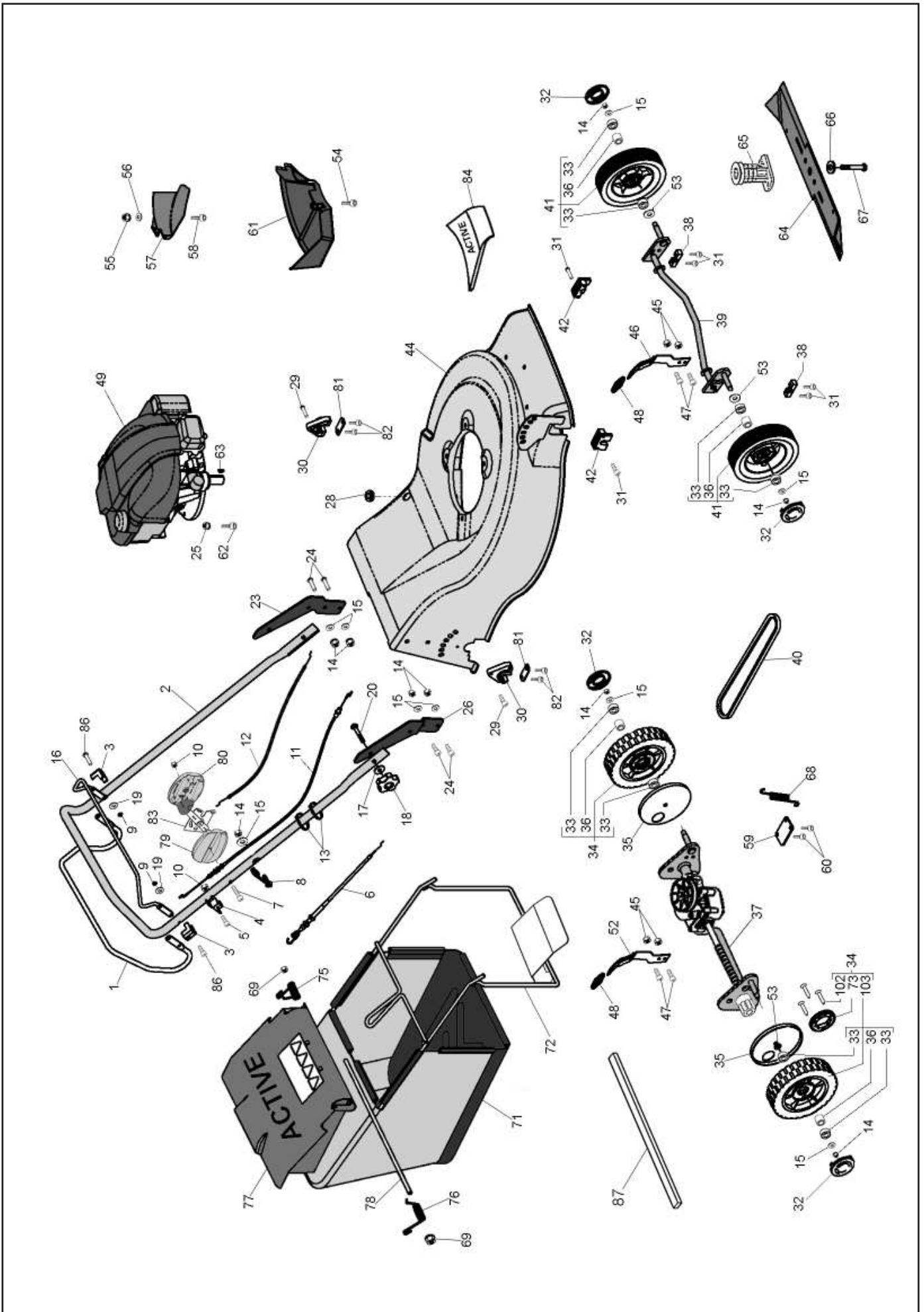


50009 Trasmissione - Transmission - Transmission

RIF. REF.	COD. N° / P P / N°	Q.	DESCRIZIONE - DESCRIPTION	RIF. REF.	COD. N° / P P / N°	Q.	DESCRIZIONE - DESCRIPTION
1	50434	1	ASSALE - AXE - AXLE	20	50527	1	PIGNONE - PIGNON - PINION (SX)
2	50575	1	ALBERO - ARBRE - SHAFT	21	50528	1	PIGNONE - PIGNON - PINION (DX)
3	50606	1	SCATOLA - BOITE - BOX	22	50109	1	PROTEZIONE - PROTECTION - GUARD
4	50229	1	COPERCHIO - COUVERTURE - COVER	23	50295	1	SPINA ELAST. - GOUPILLES - ELAST.PIN
5	50321	1	GUARNIZIONE - JOINT - GASKET	24	50706	10	DISCO - DISK
6	20001	4	VITE - VIS - SCREW	25	50707	10	DISCO - DISK
7	50524	1	VITE S.F. - VIS - SCREW	26	50519	1	DADO - ECROU - NUT
8	50298	1	SPINA ELAST. - GOUPILLES - ELAST.PIN	27	50255	1	LEVA - LEVIER - LEVER
9	50216	1	PULEGGIA - PUOLIE - PULLEY (Ø71)	28	50310	1	MOLLA - RESSORT - SPRING
10	50281	1	ASSIEME CAMPANA - TAMBOUR - DRUM	29	22511	2	CUSCINETTO - ROULEMENT - BEARING
11	50303	1	RONDELLA - RONDELLE - WASHER	30	50320	3	ANELLO DI TENUTA - JOINT - SEAL
12	50521	1	CUSCINETTO - ROULEMENT - BEARING	31	50540	2	BUSSOLA - ENTRETOISE - SPACER
13	50261	3	RONDELLA - RONDELLE - WASHER	32	50541	2	BUSSOLA - ENTRETOISE - SPACER
14	50522	1	CUSCINETTO - ROULEMENT - BEARING	33	20324	1	O-RING
15	50678	4	RASAMENTO - RONDELLE - WASHER SHIMS	34	50179	1	LEVA - LEVIER - LEVER
16	50546	1	LEVA - LEVIER - LEVER	35	50772	1	RONDELLA - RONDELLE - WASHER
17	20218	4	SEEGER	36	50771	1	VITE - VIS - SCREW
18	50186	3	PROTEZIONE - PROTECTION - GUARD	37	50284	1	BUSSOLA - ENTRETOISE - SPACER
19	50188	2	CHIAVETTA - CLAVETTE - KEY				

NOTE - NOTES

Rasaerba - Tondeuses - Lawn mowers (5300 SB)



Rasaerba - Tondeuses - Lawn mowers (5300 SB)

RIF.	COD.	Q.	DESCRIZIONE - DESCRIPTION	RIF.	COD.	Q.	DESCRIZIONE - DESCRIPTION
REF.	N° / P P / N°			REF.	N° / P P / N°		
1	50177	1	MANIGLIA - POIGNEE - HANDLE	46	50420	1	LEVA - LEVIER - LEVER
2	50380	1	MANUBRIO - MANCHERON - UPPER HANDLE	47	22798	4	VITE - VIS - SCREW
3	50558	2	STAFFA - ETRIER - STIRRUP	48	50018	2	IMPUGNATURA - POIGNEE GUIDON - HANDLE
4	50206	1	STAFFA - PALIER - BRACKET	49	50602	1	MOTORE - MOTEUR - ENGINE
5	40092	1	VITE - VIS - SCREW	52	50430	1	LEVA - LEVIER - LEVER
6	50472	1	CAVO - CABLE (Trazione - Traction)	53	20790	4	RONDELLA - RONDELLE - WASHER
7	20190	1	VITE - VIS - SCREW	54	50659	1	VITE - VIS - SCREW
8	50105	1	GUIDA ZONE START - MANCHERON - HANDLE	55	50660	1	MANOPOLA - POIGNEE - HANDLE
9	31216	2	DADO - ECROU - NUT	56	20316	1	RONDELLA - RONDELLE - WASHER
10	20176	2	DADO - ECROU - NUT	57	50468	1	TAPPO MULCHING
11	50095	1	CAVO - CABLE (Freno - Brake)	58	50658	1	VITE - VIS - SCREW
12	50069	1	CAVO - CABLE (Gas)	59	50447	1	PIASTRA - PLAQUE - PLATE
13	50314	2	FASCETTA - CLIP	60	20272	2	VITE - VIS - SCREW
14	20788	9	DADO - ECROU - NUT	61	50474	1	CARTERINO - COUVERCLE - COVER
15	20711	9	RONDELLA - RONDELLE - WASHER	62	40720	2	VITE - VIS - SCREW
16	50175	1	MANIGLIA - POIGNEE - HANDLE	62	50671	1	VITE - VIS - SCREW
17	21686	2	RONDELLA - RONDELLE - WASHER	63	50306	1	CHIAVETTA - CLAVETTE - KEY
18	50025	2	VOLANTINO - VOLANT - KNOB	64	50481	1	LAMA - LAME - BLADE (51 cm)
19	21139	6	RONDELLA - RONDELLE - WASHER	65	50608	1	MOZZO - MOYEUR - HUB (Ø25)
20	50668	2	VITE - VIS - SCREW	66	50538	1	RONDELLA - RONDELLE - WASHER
23	50439	1	MANUBRIO - MANCHERON - UPPER HANDLE	67	50641	1	VITE - VIS - SCREW
24	40007	4	VITE - VIS - SCREW	68	50448	1	MOLLA - RESSORT - SPRING
25	50666	3	DADO - ECROU - NUT	69	50663	2	DADO - ECROU - NUT
26	50437	1	MANUBRIO - MANCHERON - UPPER HANDLE	71	50715	1	TELA - TOILE - CANVAS (Verde - Green)
28	50469	1	GOMMINO - CAOUTCHOUC - RUBBER	71	50727	1	TELA - TOILE - CANVAS (Nera - Black)
29	50656	2	VITE - VIS - SCREW	72	50743	1	TELAIO - CHASSIS - FRAME
30	50457	2	SUPPORTO - SUPPORT - BRAKET	73	50529	2	CORONA - COURONNE - CROWN
31	50662	6	VITE - VIS - SCREW	75	50597	1	MOLLA - RESSORT - SPRING (SX)
32	50020	4	COPRIMOZZO - COUVERCLE - WHEEL COVER	76	50461	1	MOLLA - RESSORT - SPRING (DX)
33	50667	8	CUSCINETTO - ROULEMENT - BEARING	77	50460	1	DEFLETTORE - DEFLECTEUR - DEFLECTOR
34	50692	2	RUOTA - ROUE - WHEEL	78	50441	1	PERNO - PIVOT - PIN
35	50174	2	PARAPOLVERE - PROTECTION - GUARD	79	50104	1	CARTER (DX)
36	50544	4	DISTANZIALE - ENTRETOISE - SPACER	80	50103	1	CARTER (SX)
37	50954	1	KIT : TRASMISSIONE - BOITE DE VIT. - GEARBOX	81	50042	2	PIASTRA - PLAQUE - PLATE
38	50459	2	SUPPORTO - SUPPORT - BRAKET	82	50657	4	VITE - VIS - SCREW
39	50427	1	ASSALE - AXE - AXLE	83	50094	1	LEVA GAS - LEVIER GAS - GAS LEVER
40	50884	1	CINGHIA - COURROIE - BELT	84	50479	1	CARTER - CAPOT - COVER
41	50690	2	RUOTA - ROUE - WHEEL	85	50831	1	ASSALE - AXE - AXLE
42	50458	2	SUPPORTO - SUPPORT - BRAKET	86	50830	2	VITE - VIS - SCREW
44	50476	1	CARTER - CAPOT - HOUSING (Rosso - Red)	87	50880	1	GOMMA ADESIVA - CAOUTCHOUC - RUBBER
	50587	1	CARTER - CAPOT - HOUSING (Grigio - Gray)	102	50640	6	VITE - VIS - SCREW
45	20289	4	DADO - ECROU - NUT	103	50700	2	RUOTA - ROUE - WHEEL

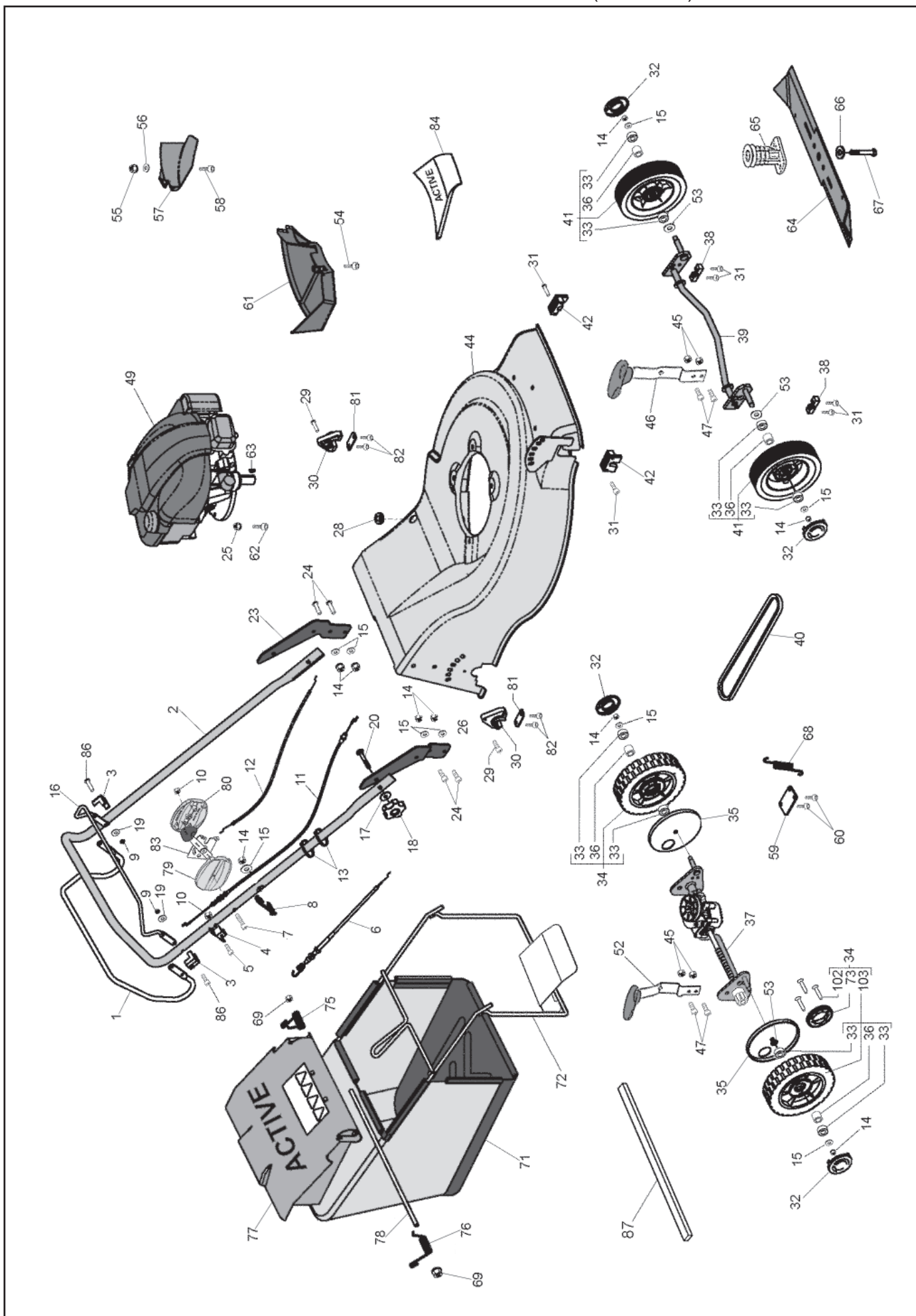
NOTE - NOTES



Valido dal N° di serie
A partir de N° de matricule suivant
From serial N°

53SB110001

Rasaerba - Tondeuses - Lawn mowers (5300 SB)



Rasaerba - Tondeuses - Lawn mowers (5300 SB)

RIF.	COD.	Q.	DESCRIZIONE - DESCRIPTION	RIF.	COD.	Q.	DESCRIZIONE - DESCRIPTION
REF.	N° / P P / N°			REF.	N° / P P / N°		
1	50177	1	MANIGLIA - POIGNEE - HANDLE	45	20289	4	DADO - ECROU - NUT
2	50380	1	MANUBRIO - MANCHERON - UPPER HANDLE	46	50419	1	LEVA - LEVIER - LEVER
3	50558	2	STAFFA - ETRIER - STIRRUP	47	22798	4	VITE - VIS - SCREW
4	50206	1	STAFFA - PALIER - BRACKET	49	50602	1	MOTORE - MOTEUR - ENGINE
5	40092	1	VITE - VIS - SCREW	52	50429	1	LEVA - LEVIER - LEVER
6	50472	1	CAVO - CABLE (Trazione - Traction)	53	20790	4	RONDELLA - RONDELLE - WASHER
7	20190	1	VITE - VIS - SCREW	54	50659	1	VITE - VIS - SCREW
8	50105	1	GUIDA ZONE START - MANCHERON - HANDLE	55	50660	1	MANOPOLA - POIGNEE - HANDLE
9	31216	2	DADO - ECROU - NUT	56	20316	1	RONDELLA - RONDELLE - WASHER
10	20176	2	DADO - ECROU - NUT	57	50468	1	TAPPO MULCHING
11	50095	1	CAVO - CABLE (Freno - Brake)	58	50658	1	VITE - VIS - SCREW
12	50069	1	CAVO - CABLE (Gas)	59	50447	1	PIASTRA - PLAQUE - PLATE
13	50314	2	FASCETTA - CLIP	60	20272	2	VITE - VIS - SCREW
14	20788	9	DADO - ECROU - NUT	61	50474	1	CARTERINO - COUVERCLE - COVER
15	20711	9	RONDELLA - RONDELLE - WASHER	62	40720	2	VITE - VIS - SCREW
16	50175	1	MANIGLIA - POIGNEE - HANDLE	62	50671	1	VITE - VIS - SCREW
17	21686	2	RONDELLA - RONDELLE - WASHER	63	50306	1	CHIAVETTA - CLAVETTE - KEY
18	50025	2	VOLANTINO - VOLANT - KNOB	64	50481	1	LAMA - LAME - BLADE (51 cm)
19	21139	6	RONDELLA - RONDELLE - WASHER	65	50608	1	MOZZO - MOYEUR - HUB (Ø25)
20	50668	2	VITE - VIS - SCREW	66	50538	1	RONDELLA - RONDELLE - WASHER
23	50439	1	MANUBRIO - MANCHERON - UPPER HANDLE	67	50641	1	VITE - VIS - SCREW
24	40007	4	VITE - VIS - SCREW	68	50448	1	MOLLA - RESSORT - SPRING
25	50666	3	DADO - ECROU - NUT	69	50663	2	DADO - ECROU - NUT
26	50437	1	MANUBRIO - MANCHERON - UPPER HANDLE	71	50715	1	TELA - TOILE - CANVAS (Verde - Green)
28	50469	1	GOMMINO - CAOUTCHOUC - RUBBER	71	50727	1	TELA - TOILE - CANVAS (Nera - Black)
29	50656	2	VITE - VIS - SCREW	72	50743	1	TELAIO - CHASSIS - FRAME
30	50457	2	SUPPORTO - SUPPORT - BRACKET	73	50529	2	CORONA - COURONNE - CROWN
31	50662	6	VITE - VIS - SCREW	75	50597	1	MOLLA - RESSORT - SPRING (SX)
32	50020	4	COPRIMOZZO - COUVERCLE - WHEEL COVER	76	50461	1	MOLLA - RESSORT - SPRING (DX)
33	50667	8	CUSCINETTO - ROULEMENT - BEARING	77	50460	1	DEFLETTORE - DEFLECTEUR - DEFLECTOR
34	50692	2	RUOTA - ROUE - WHEEL	78	50441	1	PERNO - PIVOT - PIN
35	50174	2	PARAPOLVERE - PROTECTION - GUARD	79	50104	1	CARTER (DX)
36	50544	4	DISTANZIALE - ENTRETOISE - SPACER	80	50103	1	CARTER (SX)
37	50954	1	KIT : TRASMISSIONE - BOITE DE VIT. - GEARBOX	81	50042	2	PIASTRA - PLAQUE - PLATE
38	50459	2	SUPPORTO - SUPPORT - BRACKET	82	50657	4	VITE - VIS - SCREW
39	50427	1	ASSALE - AXE - AXLE	83	50094	1	LEVA GAS - LEVIER GAS - GAS LEVER
40	50884	1	CINGHIA - COURROIE - BELT	84	50479	1	CARTER - CAPOT - COVER
41	50690	2	RUOTA - ROUE - WHEEL	86	50830	2	VITE - VIS - SCREW
42	50458	2	SUPPORTO - SUPPORT - BRACKET	87	50880	1	GOMMA ADESIVA - CAOUTCHOUC - RUBBER
44	50476	1	CARTER - CAPOT - HOUSING (Rosso - Red)	102	50640	6	VITE - VIS - SCREW
	50587	1	CARTER - CAPOT - HOUSING (Grigio - Gray)	103	50700	2	RUOTA - ROUE - WHEEL

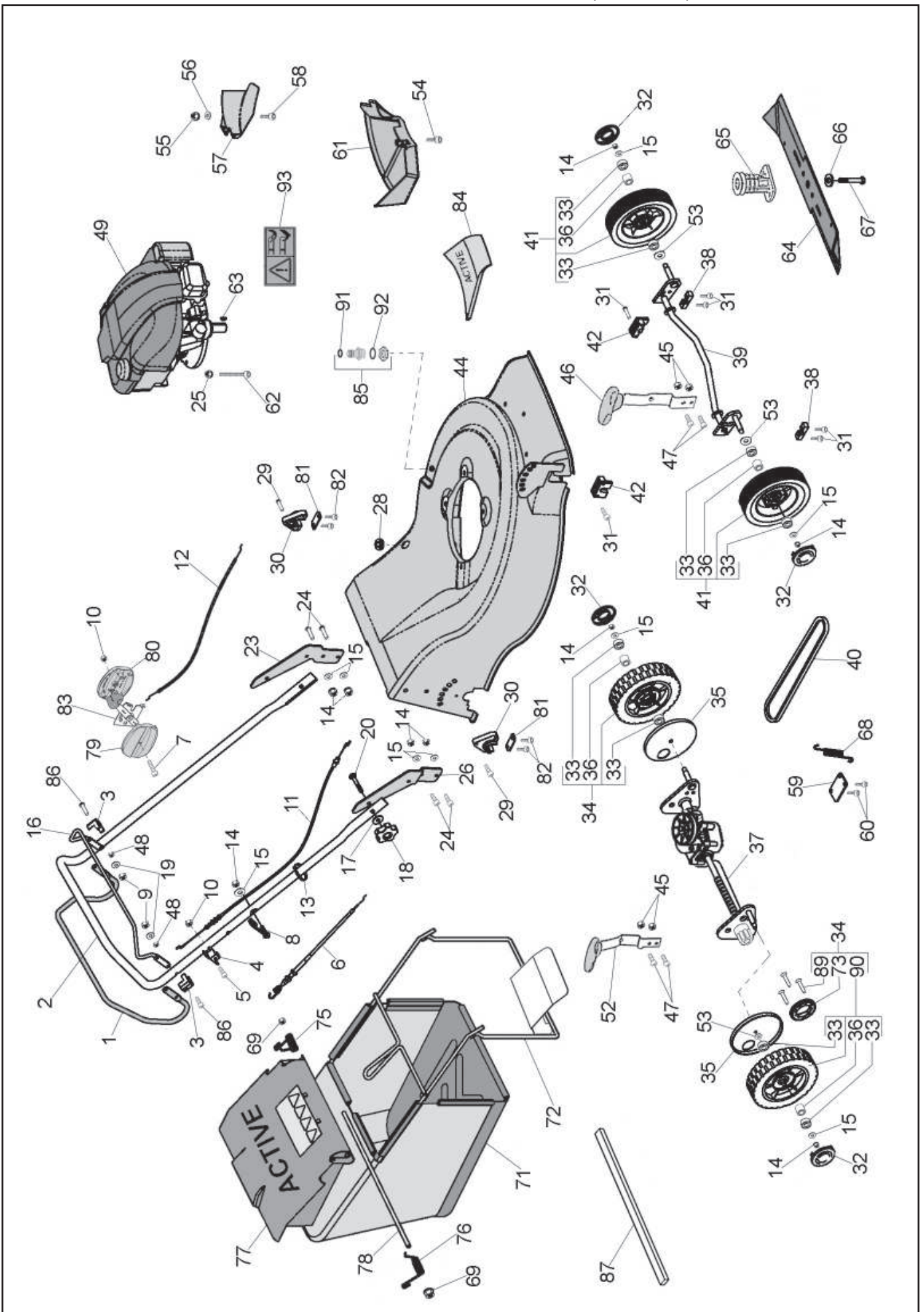
NOTE - NOTES



Valido dal N° di serie
A partir de N° de matricule suivant
From serial N°

53SB120001

Rasaerba - Tondeuses - Lawn mowers (5300 SB)



Rasaerba - Tondeuses - Lawn mowers (5300 SB)

RIF.	COD.	Q.	DESCRIZIONE - DESCRIPTION	RIF.	COD.	Q.	DESCRIZIONE - DESCRIPTION
REF.	N° / P / N°			REF.	N° / P / N°		
1	50177	1	MANIGLIA - POIGNEE - HANDLE	48	20917	2	DADO - ECROU - NUT
2	50380	1	MANUBRIO - MANCHERON - UPPER HANDLE	49	50602	1	MOTORE - MOTEUR - ENGINE
3	50558	2	STAFFA - ETRIER - STIRRUP	52	50429	1	LEVA - LEVIER - LEVER
4	50206	1	STAFFA - PALIER - BRACKET	53	20790	4	RONDELLA - RONDELLE - WASHER
5	40092	1	VITE - VIS - SCREW	54	50659	1	VITE - VIS - SCREW
6	50472	1	CAVO - CABLE (Trazione - Traction)	55	50660	1	MANOPOLA - POIGNEE - HANDLE
7	20190	1	VITE - VIS - SCREW	56	20316	1	RONDELLA - RONDELLE - WASHER
8	50105	1	GUIDA ZONE START - MANCHERON - HANDLE	57	50468	1	TAPPO MULCHING
9	31216	2	DADO - ECROU - NUT	58	50658	1	VITE - VIS - SCREW
10	20176	2	DADO - ECROU - NUT	59	50447	1	PIASTRA - PLAQUE - PLATE
11	50095	1	CAVO - CABLE (Freno - Brake)	60	20272	2	VITE - VIS - SCREW
12	50069	1	CAVO - CABLE (Gas)	61	50474	1	CARTERINO - COUVERCLE - COVER
13	50314	2	FASCETTA - CLIP	62	40720	2	VITE - VIS - SCREW
14	20788	9	DADO - ECROU - NUT		50671	1	VITE - VIS - SCREW
15	20711	9	RONDELLA - RONDELLE - WASHER	63	50306	1	CHIAVETTA - CLAVETTE - KEY
16	50175	1	MANIGLIA - POIGNEE - HANDLE	64	50481	1	LAMA - LAME - BLADE (51 cm)
17	21686	2	RONDELLA - RONDELLE - WASHER	65	50608	1	MOZZO - MOYEUR - HUB (Ø25)
18	50025	2	VOLANTINO - VOLANT - KNOB	66	50538	1	RONDELLA - RONDELLE - WASHER
19	21139	2	RONDELLA - RONDELLE - WASHER	67	50641	1	VITE - VIS - SCREW
20	50668	2	VITE - VIS - SCREW	68	50448	1	MOLLA - RESSORT - SPRING
23	50439	1	MANUBRIO - MANCHERON - UPPER HANDLE	69	50663	2	DADO - ECROU - NUT
24	40007	4	VITE - VIS - SCREW	71	50715	1	TELA - TOILE - CANVAS (Verde - Green)
25	50666	3	DADO - ECROU - NUT		50727		TELA - TOILE - CANVAS (Nera - Black)
26	50437	1	MANUBRIO - MANCHERON - UPPER HANDLE	72	50743	1	TELAIO - CHASSIS - FRAME
28	50469	1	GOMMINO - CAOUTCHOUC - RUBBER	73	50529	2	CORONA - COURONNE - CROWN
29	50656	2	VITE - VIS - SCREW	75	50597	1	MOLLA - RESSORT - SPRING (SX)
30	50457	2	SUPPORTO - SUPPORT - BRAKET	76	50461	1	MOLLA - RESSORT - SPRING (DX)
31	50662	6	VITE - VIS - SCREW	77	50460	1	DEFLETTORE - DEFLECTEUR - DEFLECTOR
32	50020	4	COPRIMOZZO - COUVERCLE - WHEEL COVER	78	50441	1	PERNO - PIVOT - PIN
33	50667	8	CUSCINETTO - ROULEMENT - BEARING	79	50104	1	CARTER (DX)
34	50692	2	RUOTA - ROUE - WHEEL	80	50103	1	CARTER (SX)
35	50174	2	PARAPOLVERE - PROTECTION - GUARD	81	50042	2	PIASTRA - PLAQUE - PLATE
36	50544	4	DISTANZIALE - ENTRETOISE - SPACER	82	50657	4	VITE - VIS - SCREW
37	50954	1	KIT: TRASMISSIONE - BOITE DE VIT. - GEARBOX	83	50094	1	LEVA GAS - LEVIER GAS - GAS LEVER
38	50459	2	SUPPORTO - SUPPORT - BRAKET	84	50479	1	CARTER - CAPOT - COVER
39	50427	1	ASSALE - AXE - AXLE	85	50209	1	ATTACCO ACQUA - RACCORDEMENT à L'EAU - WATER CONNECTION
40	50884	1	CINGHIA - COURROIE - BELT	86	22045	2	VITE - VIS - SCREW
41	50690	2	RUOTA - ROUE - WHEEL	87	50880	1	GOMMA ADESIVA - CAOUTCHOUC - RUBBER
42	50458	2	SUPPORTO - SUPPORT - BRAKET	89	50640	6	VITE - VIS - SCREW
44	50476	1	CARTER - CAPOT - HOUSING (Rosso - Red)	90	50700	2	RUOTA - ROUE - WHEEL
	50587		CARTER - CAPOT - HOUSING (Grigio - Gray)	91	23755	1	GOMMINO - CAOUTCHOUC - RUBBER
45	20289	4	DADO - ECROU - NUT	92	23758	1	GOMMINO - CAOUTCHOUC - RUBBER
46	50419	1	LEVA - LEVIER - LEVER	93	50909	1	ADESIVO - ADHESIF - ADHESIVE
47	22798	4	VITE - VIS - SCREW				

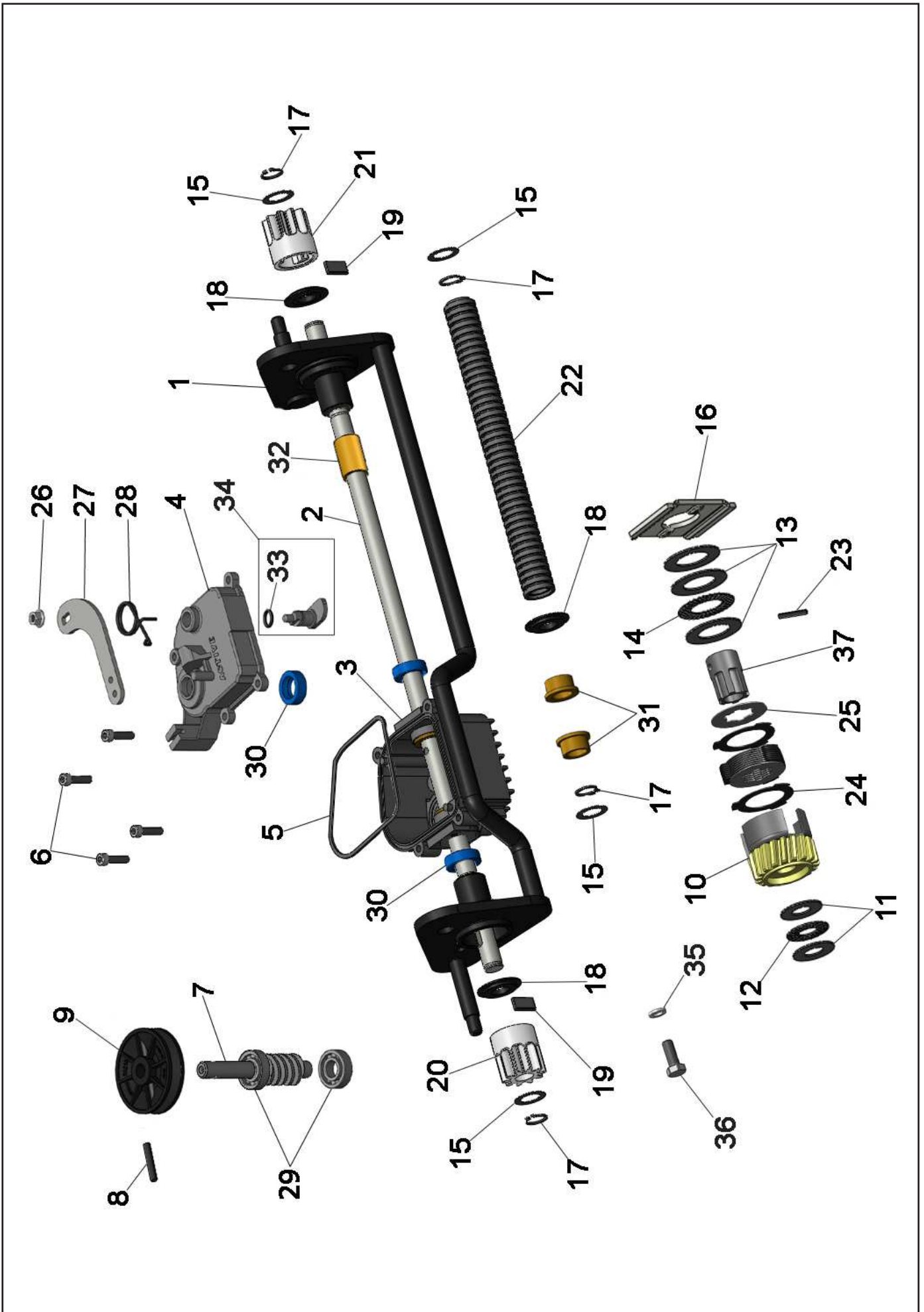
NOTE - NOTES



**Valido dal N° di serie
A partir de N° de matricule suivant
From serial N°**

53SB130001

50954 Trasmissione - Transmission - Transmission

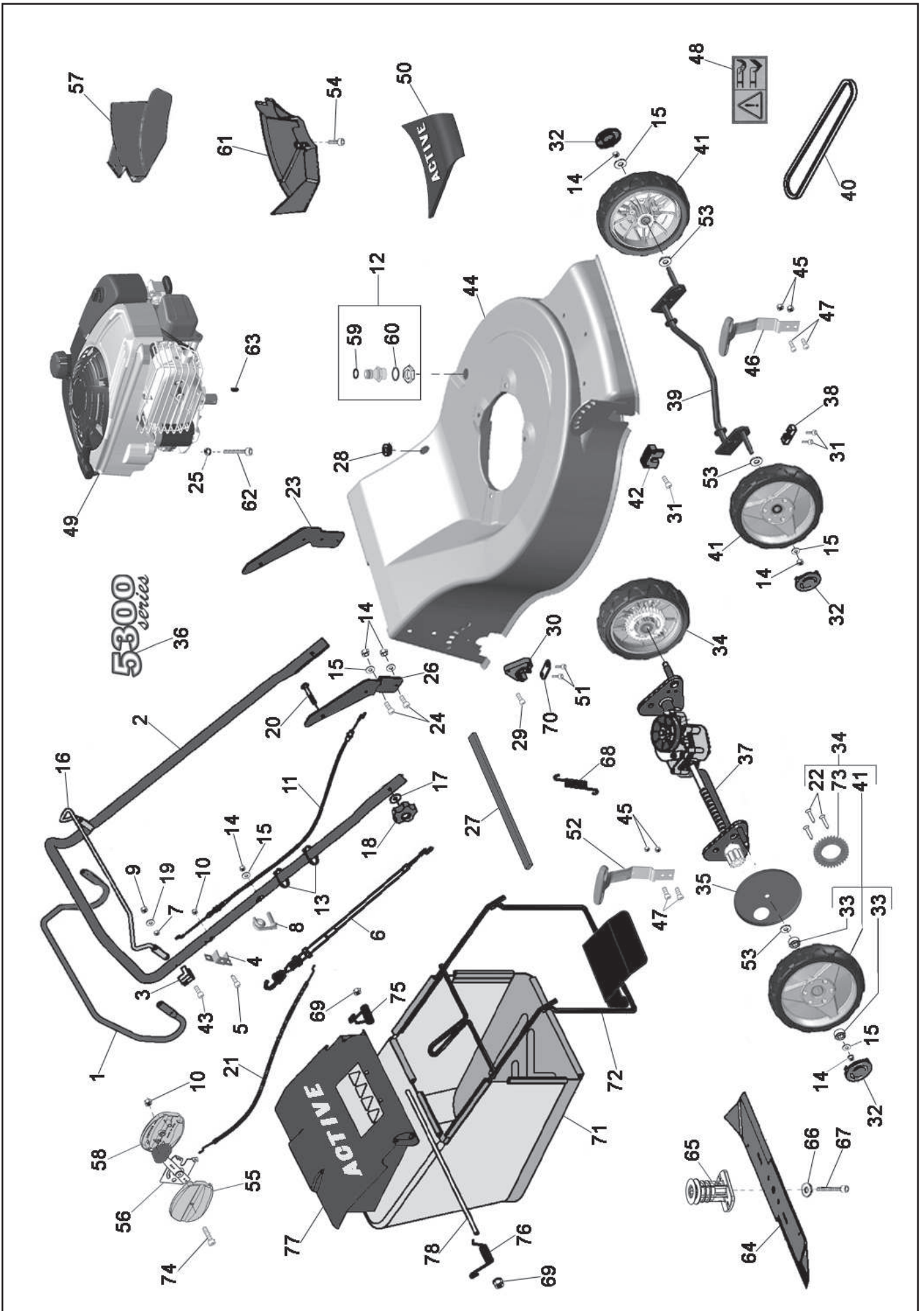


50954 Trasmissione - Transmission - Transmission

RIF. REF.	COD. N° / P P / N°	Q.	DESCRIZIONE - DESCRIPTION	RIF. REF.	COD. N° / P P / N°	Q.	DESCRIZIONE - DESCRIPTION
1	50434	1	ASSALE - AXE - AXLE	20	50527	1	PIGNONE - PIGNON - PINION (SX)
2	50575	1	ALBERO - ARBRE - SHAFT	21	50528	1	PIGNONE - PIGNON - PINION (DX)
3	50606	1	SCATOLA - BOITE - BOX	22	50109	1	PROTEZIONE - PROTECTION - GUARD
4	50229	1	COPERCHIO - COUVERTURE - COVER	23	50295	1	SPINA ELAST. - GOUPILLES - ELAST.PIN
5	50321	1	GUARNIZIONE - JOINT - GASKET	24	50706	10	DISCO - DISK
6	20001	4	VITE - VIS - SCREW	25	50707	10	DISCO - DISK
7	50524	1	VITE S.F. - VIS - SCREW	26	50519	1	DADO - ECROU - NUT
8	50881	1	SPINA ELAST. - GOUPILLES - ELAST.PIN	27	50255	1	LEVA - LEVIER - LEVER
9	50106	1	PULEGGIA - PUOLIE - PULLEY (Ø57)	28	50310	1	MOLLA - RESSORT - SPRING
10	50281	1	ASSIEME CAMPANA - TAMBOUR - DRUM	29	22511	2	CUSCINETTO - ROULEMENT - BEARING
11	50303	1	RONDELLA - RONDELLE - WASHER	30	50320	3	ANELLO DI TENUTA - JOINT - SEAL
12	50521	1	CUSCINETTO - ROULEMENT - BEARING	31	50540	2	BUSSOLA - ENTRETOISE - SPACER
13	50261	3	RONDELLA - RONDELLE - WASHER	32	50541	2	BUSSOLA - ENTRETOISE - SPACER
14	50522	1	CUSCINETTO - ROULEMENT - BEARING	33	20324	1	O-RING
15	50678	4	RASAMENTO - RONDELLE - WASHER SHIMS	34	50179	1	LEVA - LEVIER - LEVER
16	50546	1	LEVA - LEVIER - LEVER	35	50772	1	RONDELLA - RONDELLE - WASHER
17	20218	4	SEEGER	36	50771	1	VITE - VIS - SCREW
18	50186	3	PROTEZIONE - PROTECTION - GUARD	37	50284	1	BUSSOLA - ENTRETOISE - SPACER
19	50188	2	CHIAVETTA - CLAVETTE - KEY				

NOTE - NOTES

Rasaerba - Tondeuses - Lawn mowers (5300 SB)



Rasaerba - Tondeuses - Lawn mowers (5300 SB)

RIF. REF.	COD. N° / P P / N°	Q.	DESCRIZIONE - DESCRIPTION	RIF. REF.	COD. N° / P P / N°	Q.	DESCRIZIONE - DESCRIPTION
1	50177	1	MANIGLIA - POIGNEE - HANDLE	42	50458	2	SUPPORTO - SUPPORT - BRAKET
2	50380	1	MANUBRIO - MANCHERON - UPPER HANDLE	43	22045	2	VITE - VIS - SCREW
3	50558	2	STAFFA - ETRIER - STIRRUP	44	50476	1	CARTER - CAPOT - HOUSING (Rosso - Red)
4	50206	1	STAFFA - PALIER - BRACKET		50587		CARTER - CAPOT - HOUSING (Grigio - Gray)
5	40092	1	VITE - VIS - SCREW	45	20289	4	DADO - ECROU - NUT
6	50475	1	CAVO - CABLE (Trazione - Traction)	46	50419	1	LEVA - LEVIER - LEVER
7	20917	2	DADO - ECROU - NUT	47	22798	4	VITE - VIS - SCREW
8	50105	1	GUIDA ZONE START - MANCHERON - HANDLE	48	50909	1	ADESIVO - ADHESIF - ADHESIVE
9	31216	2	DADO - ECROU - NUT	49	50347	1	MOTORE - MOTEUR - ENGINE
10	20176	2	DADO - ECROU - NUT	50	50479	1	CARTER - CAPOT - COVER
11	50095	1	CAVO - CABLE (Freno - Brake)	51	50657	4	VITE - VIS - SCREW
12	50209	1	ATTACCO ACQUA - RACCORDEMENT à L'EAU - WATER CONNECTION	52	50429	1	LEVA - LEVIER - LEVER
13	50314	2	FASCETTA - CLIP	53	20790	4	RONDELLA - RONDELLE - WASHER
14	20788	9	DADO - ECROU - NUT	54	50659	1	VITE - VIS - SCREW
15	20711	9	RONDELLA - RONDELLE - WASHER	55	50104	1	CARTER (DX)
16	50175	1	MANIGLIA - POIGNEE - HANDLE	56	50094	1	LEVA GAS - LEVIER GAS - GAS LEVER
17	21686	2	RONDELLA - RONDELLE - WASHER	57	50568	1	TAPPO MULCHING
18	50025	2	VOLANTINO - VOLANT - KNOB	58	50545	1	CARTER (SX)
19	21139	2	RONDELLA - RONDELLE - WASHER	59	23755	1	GOMMINO - CAOUTCHOUC - RUBBER
20	50668	2	VITE - VIS - SCREW	60	23758	1	GOMMINO - CAOUTCHOUC - RUBBER
21	50712	1	CAVO - CABLE (Gas)	61	50474	1	CARTERINO - COUVERCLE - COVER
22	50640	6	VITE - VIS - SCREW	62	40720	2	VITE - VIS - SCREW
23	50439	1	MANUBRIO - MANCHERON - UPPER HANDLE (SX)		50671	1	VITE - VIS - SCREW
24	40007	4	VITE - VIS - SCREW	63	50306	1	CHIAVETTA - CLAVETTE - KEY
25	50666	3	DADO - ECROU - NUT	64	50481	1	LAMA - LAME - BLADE (51 cm)
26	50437	1	MANUBRIO - MANCHERON - UPPER HANDLE (DX)	65	50608	1	MOZZO - MOYEURS - HUB (Ø25)
27	50880	1	GOMMA ADESIVA - CAOUTCHOUC - RUBBER	66	50538	1	RONDELLA - RONDELLE - WASHER
28	50469	1	GOMMINO - CAOUTCHOUC - RUBBER	67	50641	1	VITE - VIS - SCREW
29	50656	2	VITE - VIS - SCREW	68	50448	1	MOLLA - RESSORT - SPRING
30	50457	2	SUPPORTO - SUPPORT - BRAKET	69	50663	2	DADO - ECROU - NUT
31	50662	6	VITE - VIS - SCREW	70	50042	2	PIASTRA - PLAQUE - PLATE
32	50020	4	COPRIMOZZO - COUVERCLE - WHEEL COVER	71	50715	1	TELA - TOILE - CANVAS (Verde - Green)
33	50155	8	CUSCINETTO - ROULEMENT - BEARING		50727		TELA - TOILE - CANVAS (Nera - Black)
34	50358	2	RUOTA - ROUE - WHEEL	72	50743	1	TELAIO - CHASSIS - FRAME
35	50174	2	PARAPOLVERE - PROTECTION - GUARD	73	50529	2	CORONA - COURONNE - CROWN
36	50413	1	ADESIVO - ADHESIF - ADHESIVE	74	20190	1	VITE - VIS - SCREW
37	50379	1	KIT : TRASMISSIONE - BOITE DE VIT. - GEARBOX	75	50597	1	MOLLA - RESSORT - SPRING (SX)
38	50459	2	SUPPORTO - SUPPORT - BRAKET	76	50461	1	MOLLA - RESSORT - SPRING (DX)
39	50427	1	ASSALE - AXE - AXLE	77	50460	1	DEFLETTORE - DEFLECTEUR - DEFLECTOR
40	50884	1	CINGHIA - COURROIE - BELT	78	50441	1	PERNO - PIVOT - PIN
41	50357	2	RUOTA - ROUE - WHEEL				

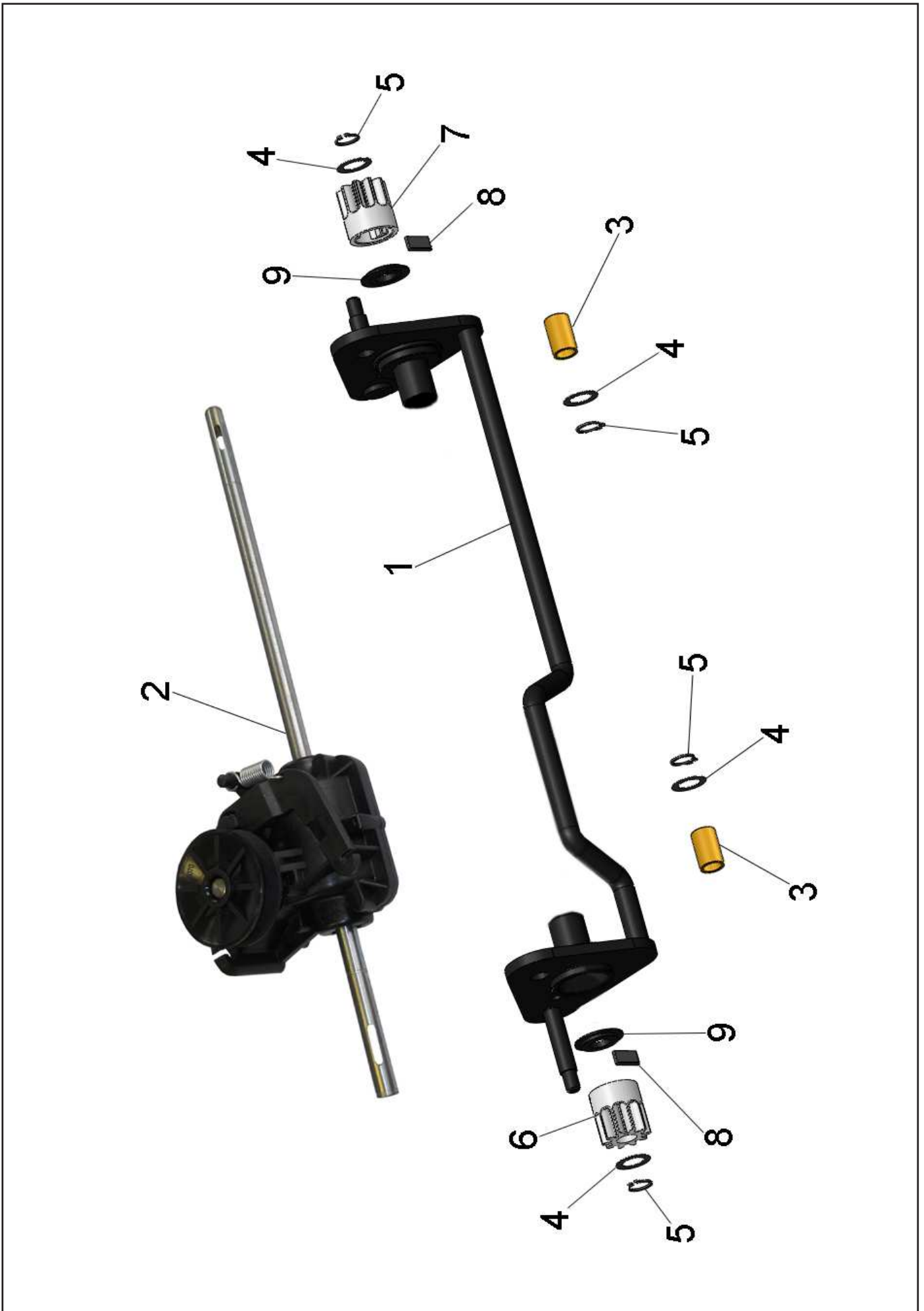
NOTE - NOTES



Valido dal N° di serie
A partir de N° de matricule suivant
From serial N°

53SB140001

50379 Trasmissione - Transmission - Transmission

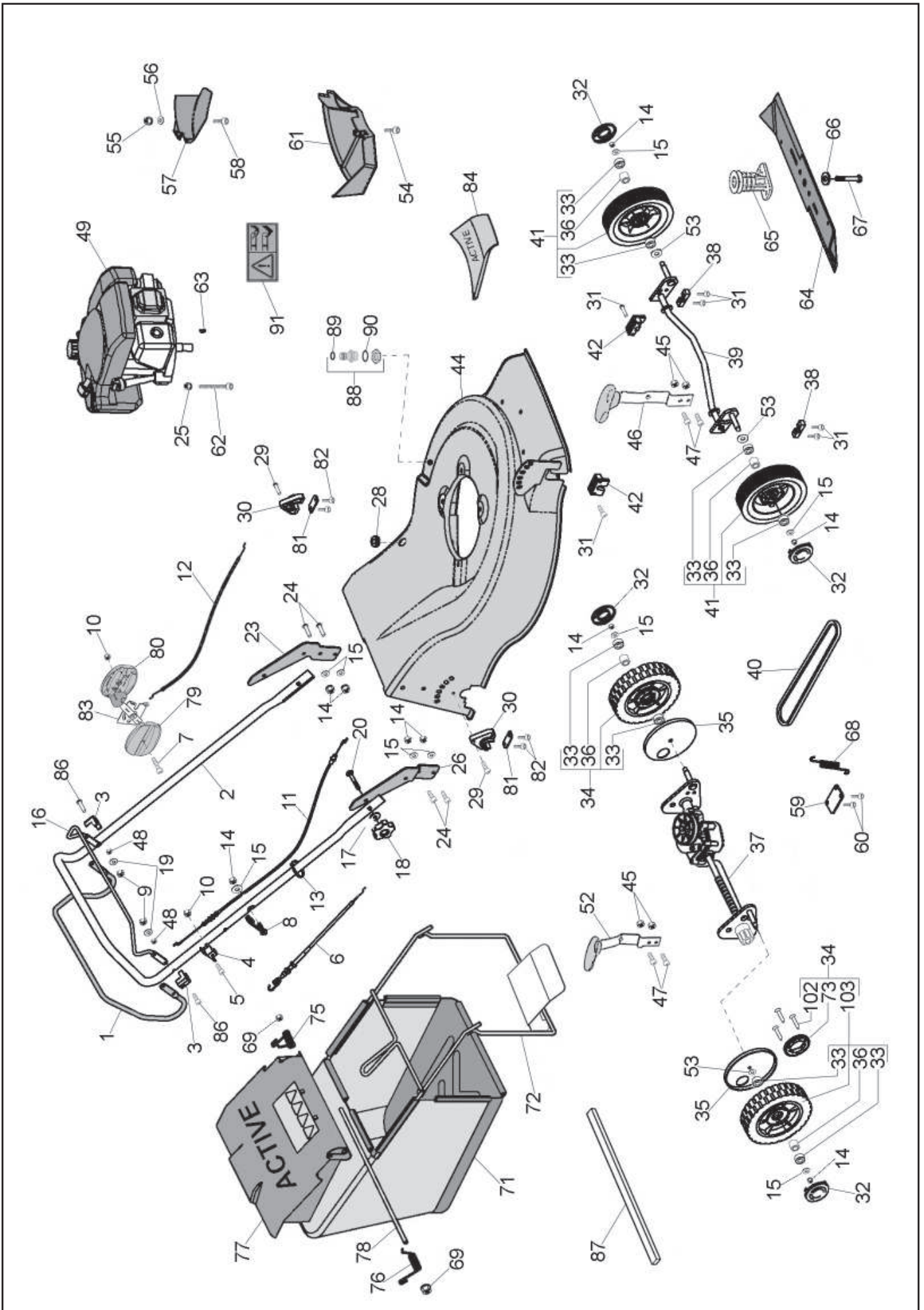


50379 Trasmissione - Transmission - Transmission

RIF. REF.	COD. N° / P P / N°	Q.	DESCRIZIONE - DESCRIPTION	RIF. REF.	COD. N° / P P / N°	Q.	DESCRIZIONE - DESCRIPTION
1	50434	1	ASSALE - AXE - AXLE	6	50527	1	PIGNONE - PIGNON - PINION (SX)
2	50245	1	TRASMISSIONE - BOITE DE VIT. - GEARBOX	7	50528	1	PIGNONE - PIGNON - PINION (DX)
3	50541	2	BUSSOLA - ENTRETOISE - SPACER	8	50188	2	CHIAVETTA - CLAVETTE - KEY
4	50678	4	RONDELLA - RONDELLE - WASHER	9	50186	2	PROTEZIONE - PROTECTION - GUARD
5	20218	4	SEEGER				

NOTE - NOTES

Rasaerba - Tondeuses - Lawn mowers (5300 SH)



Rasaerba - Tondeuses - Lawn mowers (5300 SH)

RIF. REF.	COD. N° / P P / N°	Q.	DESCRIZIONE - DESCRIPTION	RIF. REF.	COD. N° / P P / N°	Q.	DESCRIZIONE - DESCRIPTION
1	50177	1	MANGLIA - POIGNEE - HANDLE	48	20917	2	DADO - ECROU - NUT
2	50380	1	MANUBRIO - MANCHERON - UPPER HANDLE	49	50604	1	MOTORE - MOTEUR - ENGINE
3	50558	2	STAFFA - ETRIER - STIRRUP	52	50429	1	LEVA - LEVIER - LEVER
4	50206	1	STAFFA - PALIER - BRACKET	53	20790	4	RONDELLA - RONDELLE - WASHER
5	40092	1	VITE - VIS - SCREW	54	50659	1	VITE - VIS - SCREW
6	50472	1	CAVO - CABLE (Trazione - Traction)	55	50660	1	MANOPOLA - POIGNEE - HANDLE
7	20190	1	VITE - VIS - SCREW	56	20316	1	RONDELLA - RONDELLE - WASHER
8	50105	1	GUIDA ZONE START - MANCHERON - HANDLE	57	50468	1	TAPPO MULCHING
9	31216	2	DADO - ECROU - NUT	58	50658	1	VITE - VIS - SCREW
10	20176	2	DADO - ECROU - NUT	59	50447	1	PIASTRA - PLAQUE - PLATE
11	50095	1	CAVO - CABLE (Freno - Brake)	60	20272	2	VITE - VIS - SCREW
12	50069	1	CAVO - CABLE (Gas)	61	50474	1	CARTERINO - COUVERCLE - COVER
13	50314	2	FASCETTA - CLIP	62	40720	4	VITE - VIS - SCREW
14	20788	9	DADO - ECROU - NUT	63	50306	1	CHIAVETTA - CLAVETTE - KEY
15	20711	9	RONDELLA - RONDELLE - WASHER	64	50481	1	LAMA - LAME - BLADE (51 cm)
16	50175	1	MANGLIA - POIGNEE - HANDLE	65	50608	1	MOZZO - MOYEUR - HUB (Ø25)
17	21686	2	RONDELLA - RONDELLE - WASHER	66	50538	1	RONDELLA - RONDELLE - WASHER
18	50025	2	VOLANTINO - VOLANT - KNOB	67	50641	1	VITE - VIS - SCREW
19	21139	6	RONDELLA - RONDELLE - WASHER	68	50448	1	MOLLA - RESSORT - SPRING
20	50668	2	VITE - VIS - SCREW	69	50663	2	DADO - ECROU - NUT
23	50439	1	MANUBRIO - MANCHERON - UPPER HANDLE	71	50715	1	TELA - TOILE - CANVAS (Verde - Green)
24	40007	4	VITE - VIS - SCREW		50727	1	TELA - TOILE - CANVAS (Nera - Black)
25	50666	3	DADO - ECROU - NUT	72	50743	1	TELAIO - CHASSIS - FRAME
26	50437	1	MANUBRIO - MANCHERON - UPPER HANDLE	73	50529	2	CORONA - COURONNE - CROWN
28	50469	1	GOMMINO - CAOUTCHOUC - RUBBER	75	50597	1	MOLLA - RESSORT - SPRING (SX)
29	50656	2	VITE - VIS - SCREW	76	50461	1	MOLLA - RESSORT - SPRING (DX)
30	50457	2	SUPPORTO - SUPPORT - BRACKET	77	50460	1	DEFLETTORE - DEFLECTEUR - DEFLECTOR
31	50662	6	VITE - VIS - SCREW	78	50441	1	PERNO - PIVOT - PIN
32	50020	4	COPRIMOZZO - COUVERCLE - WHEEL COVER	79	50104	1	CARTER (DX)
33	50667	8	CUSCINETTO - ROULEMENT - BEARING	80	50103	1	CARTER (SX)
34	50692	2	RUOTA - ROUE - WHEEL	81	50042	2	PIASTRA - PLAQUE - PLATE
35	50174	2	PARAPOLVERE - PROTECTION - GUARD	82	50657	4	VITE - VIS - SCREW
36	50544	4	DISTANZIALE - ENTRETOISE - SPACER	83	50094	1	LEVA GAS - LEVIER GAS - GAS LEVER
37	50954	1	KIT : TRASMISSIONE - BOITE DE VIT. - GEARBOX	84	50479	1	CARTER - CAPOT - COVER
38	50459	2	SUPPORTO - SUPPORT - BRACKET	85	50831	1	ASSALE - AXE - AXLE
39	50427	1	ASSALE - AXE - AXLE	86	22045	2	VITE - VIS - SCREW
40	50884	1	CINGHIA - COURROIE - BELT	87	50880	1	GOMMA ADESIVA - CAOUTCHOUC - RUBBER
41	50690	2	RUOTA - ROUE - WHEEL	88	50209	1	ATTACCO ACQUA - RACCORDEMENT à L'EAU - WATER CONNECTION
42	50458	2	SUPPORTO - SUPPORT - BRACKET	89	23755	1	GOMMINO - CAOUTCHOUC - RUBBER
44	50476	1	CARTER - CAPOT - HOUSING (Rosso - Red)	90	23758	1	GOMMINO - CAOUTCHOUC - RUBBER
	50587	1	CARTER - CAPOT - HOUSING (Grigio - Gray)	91	50909	1	ADESIVO - ADHESIF - ADHESIVE
45	20289	4	DADO - ECROU - NUT	102	50640	6	VITE - VIS - SCREW
46	50419	1	LEVA - LEVIER - LEVER	103	50700	2	RUOTA - ROUE - WHEEL
47	22798	4	VITE - VIS - SCREW				

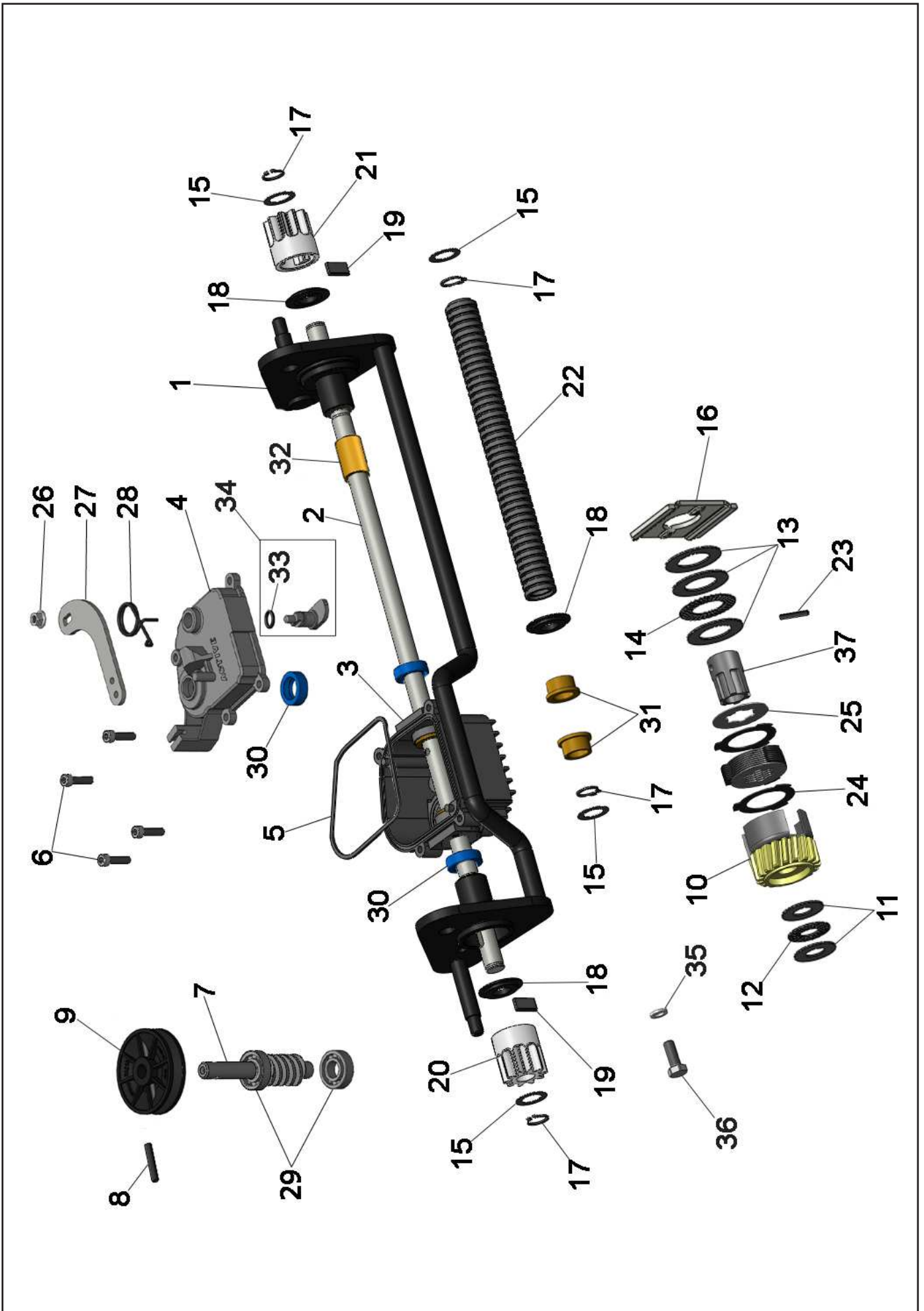
NOTE - NOTES



Valido dal N° di serie
A partir de N° de matricule suivant
From serial N°

53SH130001

50954 Trasmissione - Transmission - Transmission

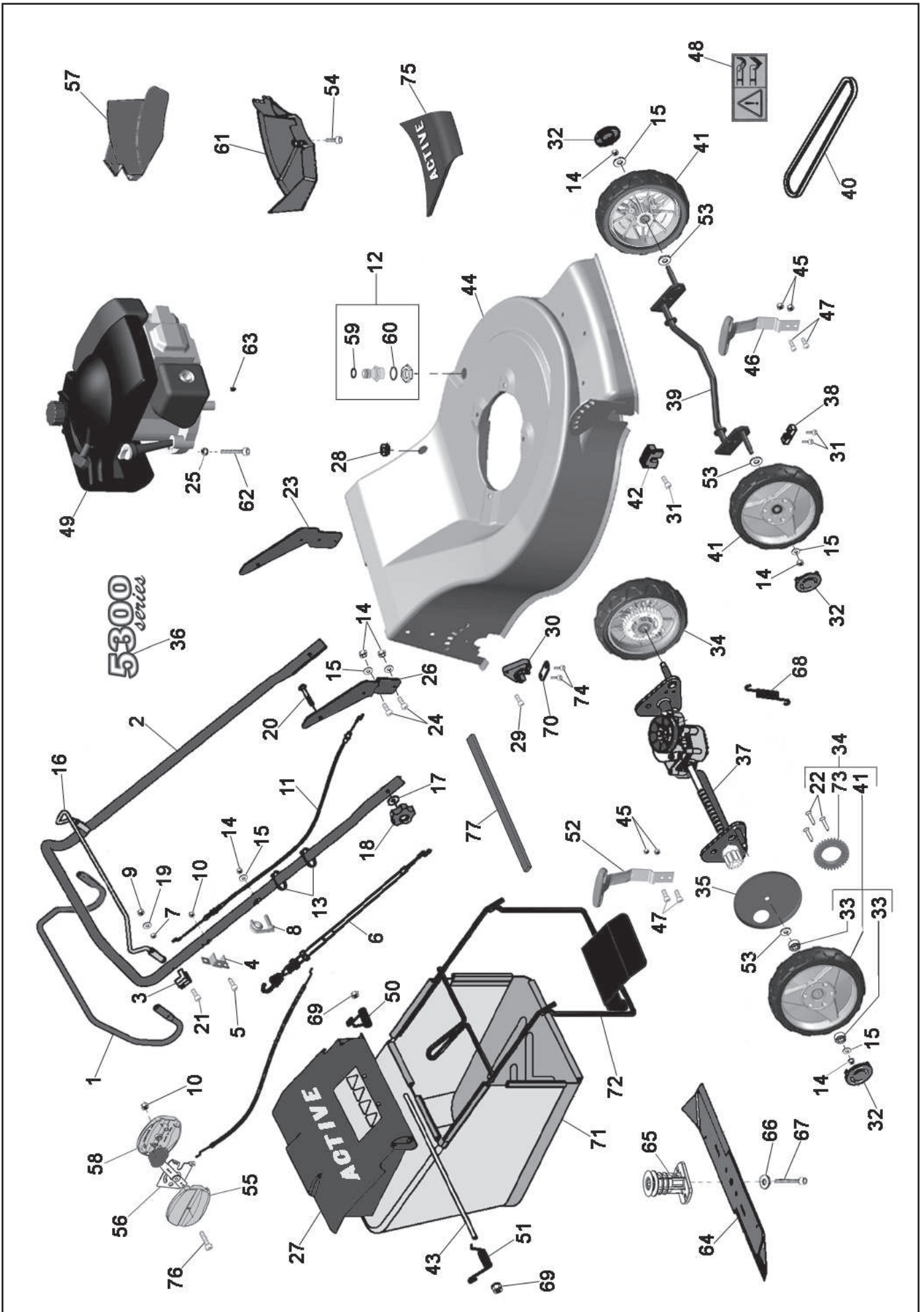


50954 Trasmissione - Transmission - Transmission

RIF. REF.	COD. N° / P P / N°	Q.	DESCRIZIONE - DESCRIPTION	RIF. REF.	COD. N° / P P / N°	Q.	DESCRIZIONE - DESCRIPTION
1	50434	1	ASSALE - AXE - AXLE	20	50527	1	PIGNONE - PIGNON - PINION (SX)
2	50575	1	ALBERO - ARBRE - SHAFT	21	50528	1	PIGNONE - PIGNON - PINION (DX)
3	50606	1	SCATOLA - BOITE - BOX	22	50109	1	PROTEZIONE - PROTECTION - GUARD
4	50229	1	COPERCHIO - COUVERTURE - COVER	23	50295	1	SPINA ELAST. - GOUPILLES - ELAST.PIN
5	50321	1	GUARNIZIONE - JOINT - GASKET	24	50706	10	DISCO - DISK
6	20001	4	VITE - VIS - SCREW	25	50707	10	DISCO - DISK
7	50524	1	VITE S.F. - VIS - SCREW	26	50519	1	DADO - ECROU - NUT
8	50881	1	SPINA ELAST. - GOUPILLES - ELAST.PIN	27	50255	1	LEVA - LEVIER - LEVER
9	50106	1	PULEGGIA - PUOLIE - PULLEY (Ø57)	28	50310	1	MOLLA - RESSORT - SPRING
10	50281	1	ASSIEME CAMPANA - TAMBOUR - DRUM	29	22511	2	CUSCINETTO - ROULEMENT - BEARING
11	50303	1	RONDELLA - RONDELLE - WASHER	30	50320	3	ANELLO DI TENUTA - JOINT - SEAL
12	50521	1	CUSCINETTO - ROULEMENT - BEARING	31	50540	2	BUSSOLA - ENTRETOISE - SPACER
13	50261	3	RONDELLA - RONDELLE - WASHER	32	50541	2	BUSSOLA - ENTRETOISE - SPACER
14	50522	1	CUSCINETTO - ROULEMENT - BEARING	33	20324	1	O-RING
15	50678	4	RASAMENTO - RONDELLE - WASHER SHIMS	34	50179	1	LEVA - LEVIER - LEVER
16	50546	1	LEVA - LEVIER - LEVER	35	50772	1	RONDELLA - RONDELLE - WASHER
17	20218	4	SEEGER	36	50771	1	VITE - VIS - SCREW
18	50186	3	PROTEZIONE - PROTECTION - GUARD	37	50284	1	BUSSOLA - ENTRETOISE - SPACER
19	50188	2	CHIAVETTA - CLAVETTE - KEY				

NOTE - NOTES

Rasaerba - Tondeuses - Lawn mowers (5300 SH)



Rasaerba - Tondeuses - Lawn mowers (5300 SH)

RIF.	COD.	Q.	DESCRIZIONE - DESCRIPTION	RIF.	COD.	Q.	DESCRIZIONE - DESCRIPTION
REF.	N° / P P / N°			REF.	N° / P P / N°		
1	50177	1	MANIGLIA - POIGNEE - HANDLE	41	50357	2	RUOTA - ROUE - WHEEL
2	50380	1	MANUBRIO - GUIDON - HANDLE BAR	42	50458	2	SUPPORTO - SUPPORT - BRAKET
3	50558	2	STAFFA - ETRIER - STIRRUP	43	50441	1	PERNO - PIVOT - PIN
4	50206	1	STAFFA - ETRIER - STIRRUP	44	50476	1	CARTER - CAPOT - HOUSING (Rosso - Red)
5	40092	1	VITE - VIS - SCREW	44	50587	1	CARTER - CAPOT - HOUSING (Grigio - Gray)
6	50475	1	CAVO - CABLE (Trazione - Traction)	45	20289	4	DADO - ECROU - NUT
7	20917	2	DADO - ECROU - NUT	46	50419	1	LEVA - LEVIER - LEVER
8	50105	1	GUIDA - SUPPORT - BRACKET	47	22798	4	VITE - VIS - SCREW
9	31216	2	DADO - ECROU - NUT	48	50909	1	ADESIVO - ADHESIF - ADHESIVE
10	20176	2	DADO - ECROU - NUT	49	50604	1	MOTORE - MOTEUR - ENGINE
11	50095	1	CAVO - CABLE (Freno - Brake)	50	50597	1	MOLLA - RESSORT - SPRING (SX)
12	50209	1	ATTACCO ACQUA - RACCORDEMENT à L'EAU - WATER CONNECTION	51	50461	1	MOLLA - RESSORT - SPRING (DX)
13	50314	2	FASCETTA - CLIP	52	50429	1	LEVA - LEVIER - LEVER
14	20788	9	DADO - ECROU - NUT	53	20790	4	RONDELLA - RONDELLE - WASHER
15	20711	9	RONDELLA - RONDELLE - WASHER	54	50659	1	VITE - VIS - SCREW
16	50175	1	MANIGLIA - POIGNEE - HANDLE	55	50104	1	CARTER - CAPOT - COVER (DX)
17	21686	2	RONDELLA - RONDELLE - WASHER	56	50094	1	LEVA - LEVIER - LEVER
18	50025	2	MANOPOLA - POIGNEE - HANDLE	57	50568	1	TAPPO MULCHING - FERMATURE - MULCHING PLUG
19	21139	2	RONDELLA - RONDELLE - WASHER	58	50545	1	CARTER - CAPOT - COVER (SX)
20	50668	2	VITE - VIS - SCREW	59	23755	1	GOMMINO - CAOUTCHOUC - RUBBER
21	22045	2	VITE - VIS - SCREW	60	23758	1	GOMMINO - CAOUTCHOUC - RUBBER
22	50640	6	VITE - VIS - SCREW	61	50452	1	CARTER - CAPOT - COVER
23	50439	1	MANUBRIO - GUIDON - HANDLE BAR (SX)	62	40720	4	VITE - VIS - SCREW
24	40007	4	VITE - VIS - SCREW	63	50306	1	CHIAVETTA - CLAVETTE - KEY
25	50666	4	DADO - ECROU - NUT	64	50481	1	LAMA - LAME - BLADE (51 cm)
26	50437	1	MANUBRIO - GUIDON - HANDLE BAR (DX)	65	50608	1	MOZZO - MOYEUX - HUB (Ø25)
27	50460	1	DEFLETTORE - DEFLECTEUR - DEFLECTOR	66	50538	1	RONDELLA - RONDELLE - WASHER
28	50469	1	GOMMINO - CAOUTCHOUC - RUBBER	67	50641	1	VITE - VIS - SCREW
29	50656	2	VITE - VIS - SCREW	68	50448	1	MOLLA - RESSORT - SPRING
30	50457	2	SUPPORTO - SUPPORT - BRAKET	69	50663	2	DADO - ECROU - NUT
31	50662	6	VITE - VIS - SCREW	70	50042	2	PIASTRA - PLAQUE - PLATE
32	50020	4	COPRI MOZZO - COUVERCLE - WHEEL COVER	71	50715	1	TELA - TOILE - CANVAS (Verde - Green)
33	50155	8	CUSCINETTO - ROULEMENT - BEARING	71	50727	1	TELA - TOILE - CANVAS (Nera - Black)
34	50358	2	RUOTA - ROUE - WHEEL	72	50743	1	TELAIO - CHASSIS - FRAME
35	50174	2	PARAPOLVERE - PROTECTION - GUARD	73	50529	2	CORONA - COURONNE - CROWN
36	50413	1	ADESIVO - ADHESIF - ADHESIVE	74	50657	4	VITE - VIS - SCREW
37	50379	1	KIT : TRASMISSIONE - BOITE DE VIT. - GEARBOX	75	50479	1	CARTER - CAPOT - COVER
38	50459	2	SUPPORTO - SUPPORT - BRACKET	76	20190	1	VITE - VIS - SCREW
39	50427	1	ASSALE - AXE - AXLE	77	50880	1	GOMMA ADESIVA - CAOUTCHOUC - RUBBER
40	50884	1	CINGHIA - COURROIE - BELT				

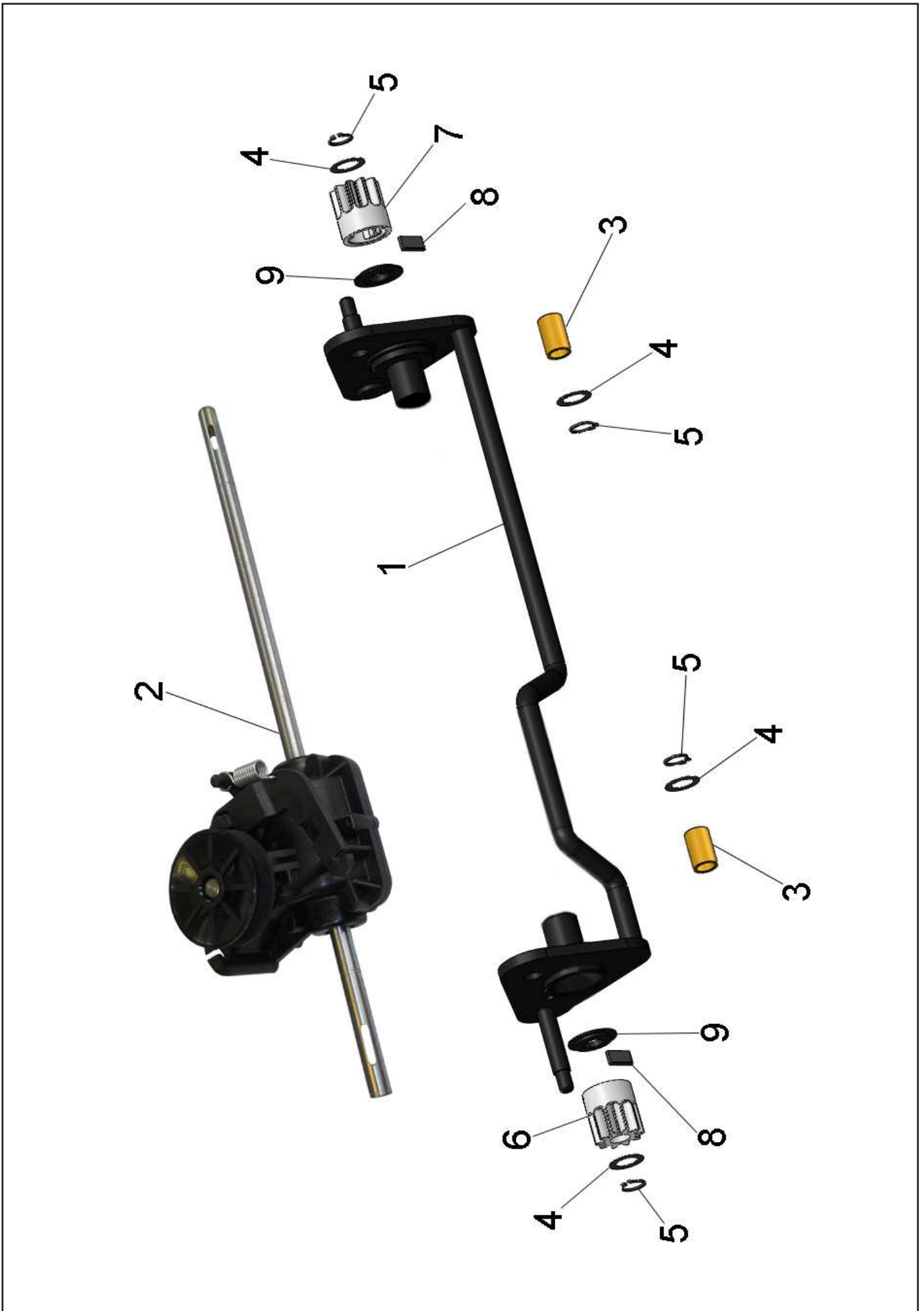
NOTE - NOTES



Valido dal N° di serie
A partir de N° de matricule suivant
From serial N°

53SH140001

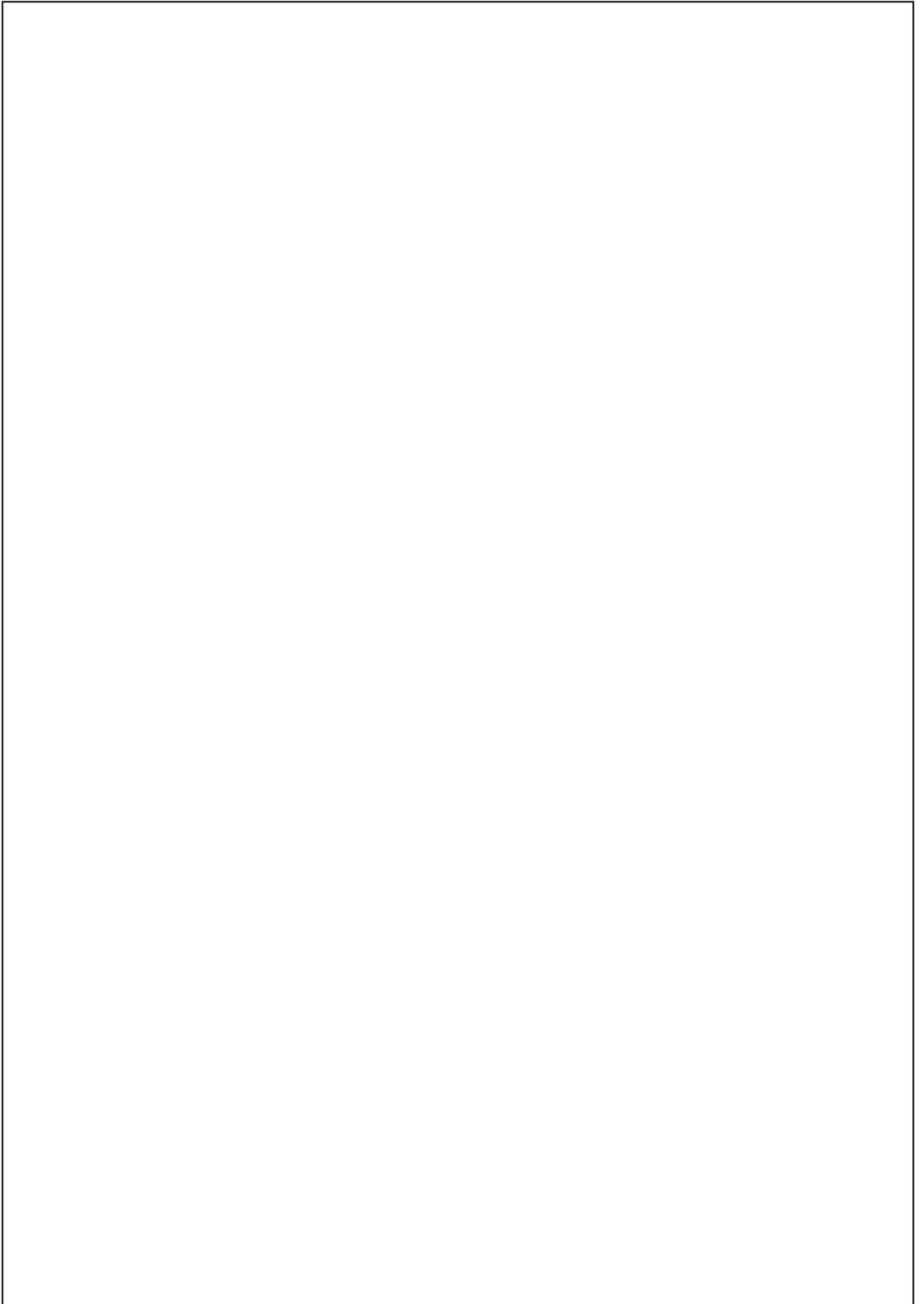
50379 Trasmissione - Transmission - Transmission



50379 Trasmissione - Transmission - Transmission

RIF. REF.	COD. N° / P P / N°	Q.	DESCRIZIONE - DESCRIPTION	RIF. REF.	COD. N° / P P / N°	Q.	DESCRIZIONE - DESCRIPTION
1	50434	1	ASSALE - AXE - AXLE	6	50527	1	PIGNONE - PIGNON - PINION (SX)
2	50245	1	TRASMISSIONE - BOITE DE VIT. - GEARBOX	7	50528	1	PIGNONE - PIGNON - PINION (DX)
3	50541	2	BUSSOLA - ENTRETOISE - SPACER	8	50188	2	CHIAVETTA - CLAVETTE - KEY
4	50678	4	RONDELLA - RONDELLE - WASHER	9	50186	2	PROTEZIONE - PROTECTION - GUARD
5	20218	4	SEEGER				

NOTE - NOTES





RICAMBI RASAERBA
PIECES DETACHEES TONDEUSES
LAWN MOWERS SPARE PARTS

SCOCCA IN ALLUMINIO
CORPS EN ALUMINIUM
ALUMINIUM DECK

4400 B

5000 B / SB / SH

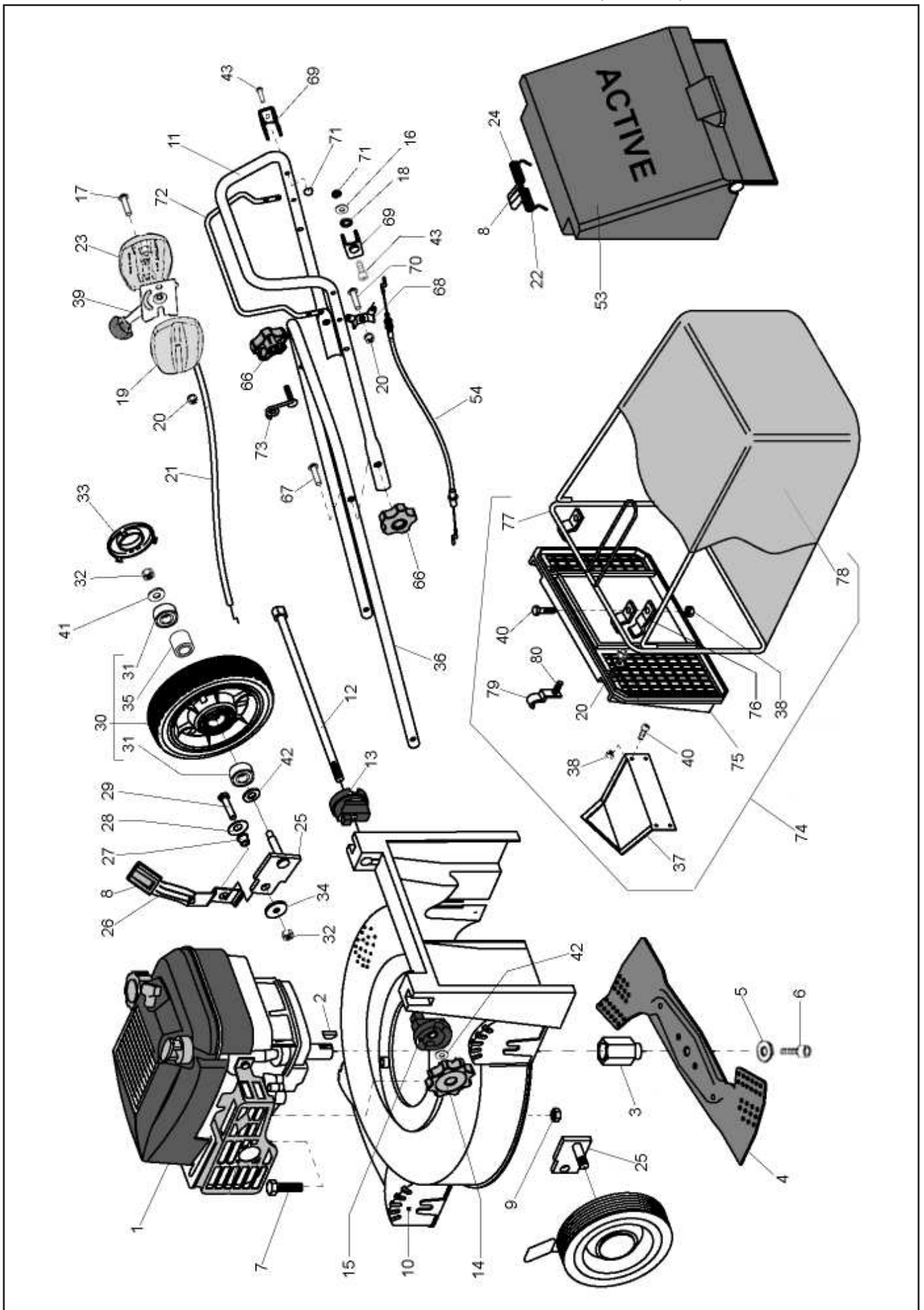
5400 SB / SH / SVH

5450 SVH BBC

5800 SB

5850 SVB / SWH / SWH BBC

Rasaerba - Tondeuses - Lawn mowers (4400 B)



Rasaerba - Tondeuses - Lawn mowers (4400 B)

RIF. REF.	COD. N° / P P / N°	Q.	DESCRIZIONE - DESCRIPTION	RIF. REF.	COD. N° / P P / N°	Q.	DESCRIZIONE - DESCRIPTION
1	50601	1	MOTORE - MOTEUR - ENGINE	32	20788	4	DADO - ECROU - NUT
2	50305	1	CHIAVETTA - CLAVETTE - KEY	33	50020	4	COPRIMOZZO - COUVERCLE - WHEEL COVER
3	50045	1	MOZZO - MOYEUX - HUB (Ø22,2)	34	21686	6	RONDELLA - RONDELLE - WASHER
4	50082	1	LAMA - LAME - BLADE (41 cm)	35	50544	4	DISTANZIALE - ENTRETOISE - SPACER
5	50538	1	RONDELLA - RONDELLE - WASHER	36	50059	1	MANUBRIO - MANCHERON - UPPER HANDLE
6	50669	1	VITE - VIS - SCREW	37	50084	1	TEGOLO - PLAQUE - GRILLE SPOON
7	50671	3	VITE - VIS - SCREW	38	20060	6	DADO - ECROU - NUT
8	50018	5	IMPUGNATURA - POIGNEE - HANDLE	39	50094	1	LEVA GAS - LEVIER GAS - GAS LEVER
9	50666	3	DADO - ECROU - NUT	40	20064	6	VITE - VIS - SCREW
10	50073	1	CARTER - CAPOT - HOUSING (Rosso - Red)	41	20711	4	RONDELLA - RONDELLE - WASHER
	50588		CARTER - CAPOT - HOUSING (Grigio - Gray)	42	20790	4	RONDELLA - RONDELLE - WASHER
11	50061	1	MANUBRIO - MANCHERON - UPPER HANDLE	43	50830	2	VITE - VIS - SCREW
12	50057	1	TIRANTE - TIRANT - ROD	53	50076	1	DEFLETTORE - DEFLECTEUR - DEFLECTOR
13	50055	1	MOZZO - MOYEUX - HUB (DX)	54	50631	1	CAVO - CABLE (Freno - Brake)
14	50019	1	VOLANTINO - VOLANT - KNOB	66	50025	2	MANOPOLA - POIGNEE - HANDLE
15	50056	1	MOZZO - MOYEUX - HUB (SX)	67	50639	1	VITE - VIS - SCREW
16	21139	4	RONDELLA - RONDELLE - WASHER	68	50205	1	PIASTRA - PLAQUE - PLATE
17	20190	1	VITE - VIS - SCREW	69	50558	2	STAFFA - ETRIER - STIRRUP
18	50761	2	DISTANZIALE - ENTRETOISE - SPACER	70	40092	1	VITE - VIS - SCREW
19	50103	1	CARTER (SX)	71	31216	2	DADO - ECROU - NUT
20	20176	4	DADO - ECROU - NUT	72	50175	1	MANIGLIA - POIGNEE - HANDLE
21	50069	1	CAVO - CABLE (Gas)	73	50071	1	GUIDA ZONE START - MANCHERON - HANDLE
22	50079	1	MOLLA - RESSORT - SPRING (SX)	74	50263	1	CEST.COMP. - FABRIC CATCHER - BAC EN TOILE (Verde - Green)
23	50104	1	CARTER (DX)		50824		CEST.COMP. - FABRIC CATCHER - BAC EN TOILE (Nero - Black)
24	50078	1	MOLLA - RESSORT - SPRING (DX)	75	50081	1	RETE - GRILLE
25	50049	4	PIASTRA - PLAQUE - PLATE	76	50265	2	PIASTRA - PLAQUE - PLATE
26	50052	4	LEVA - LEVIER - LEVER	77	50267	1	TELAIO - CHASSIS - FRAME
27	50290	4	DISTANZIALE - ANNEAU - SPACER	78	50264	1	TELA - TOILE - CANVAS (Verde - Green)
28	50308	4	MOLLA - RESSORT - SPRING		50723		TELA - TOILE - CANVAS (Nera - Black)
29	40720	4	VITE - VIS - SCREW	79	50080	2	GANCIO - PLAQUE DE BAC - GRILLE PLATE
30	50688	4	RUOTA - ROUE - WHEEL	80	20016	2	VITE - VIS - SCREW
31	50667	8	CUSCINETTO - ROULEMENT - BEARING				

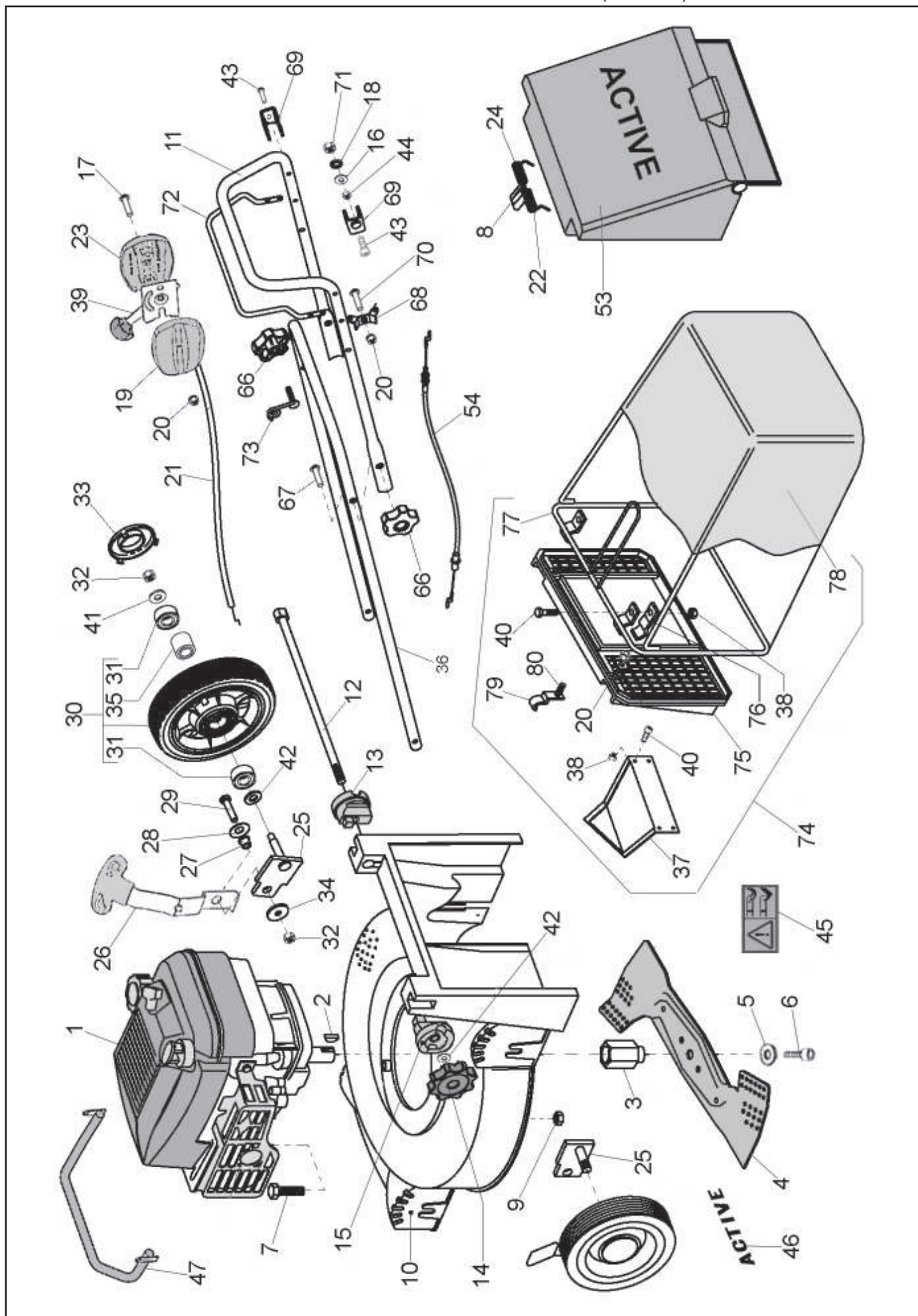
NOTE - NOTES



**Valido dal N° di serie
A partir de N° de matricule suivant
From serial N°**

44XB100001

Rasaerba - Tondeuses - Lawn mowers (4400 B)



Rasaerba - Tondeuses - Lawn mowers (4400 B)

RIF. REF.	COD. N° / P P / N°	Q.	DESCRIZIONE - DESCRIPTION	RIF. REF.	COD. N° / P P / N°	Q.	DESCRIZIONE - DESCRIPTION
1	50601	1	MOTORE - MOTEUR - ENGINE	34	21686	6	RONDELLA - RONDELLE - WASHER
2	50305	1	CHIAVETTA - CLAVETTE - KEY	35	50544	4	DISTANZIALE - ENTRETOISE - SPACER
3	50045	1	MOZZO - MOYEUX - HUB (Ø22,2)	36	50059	1	MANUBRIO - MANCHERON - UPPER HANDLE
4	50082	1	LAMA - LAME - BLADE (41 cm)	37	50084	1	TEGOLO - PLAQUE - GRILLE SPOON
5	50538	1	RONDELLA - RONDELLE - WASHER	38	20060	6	DADO - ECROU - NUT
6	50669	1	VITE - VIS - SCREW	39	50094	1	LEVA GAS - LEVIER GAS - GAS LEVER
7	50671	3	VITE - VIS - SCREW	40	20064	6	VITE - VIS - SCREW
8	50018	1	GOMMA - CAOUTCHOUC - RUBBER	41	20711	4	RONDELLA - RONDELLE - WASHER
9	50666	3	DADO - ECROU - NUT	42	20790	4	RONDELLA - RONDELLE - WASHER
10	50073	1	CARTER - CAPOT - HOUSING (Rosso - Red)	43	50830	2	VITE - VIS - SCREW
	50588		CARTER - CAPOT - HOUSING (Grigio - Gray)	44	20917	2	DADO - ECROU - NUT
11	50061	1	MANUBRIO - MANCHERON - UPPER HANDLE	45	50909	1	ADESIVO - ADHESIF - ADHESIVE
12	50057	1	TIRANTE - TIRANT - ROD	46	50762	1	ADESIVO ACTIVE - MARQUE - BRAND
13	50055	1	MOZZO - MOYEUX - HUB (DX)	47	50435	1	PROTEZIONE - PROTECTION - GUARD
14	50019	1	VOLANTINO - VOLANT - KNOB	53	50076	1	DEFLETTORE - DEFLECTEUR - DEFLECTOR
15	50056	1	MOZZO - MOYEUX - HUB (SX)	54	50631	1	CAVO - CABLE (Freno - Brake)
16	21139	2	RONDELLA - RONDELLE - WASHER	66	50025	2	MANOPOLA - POIGNEE - HANDLE
17	20190	1	VITE - VIS - SCREW	67	50639	1	VITE - VIS - SCREW
18	50761	2	DISTANZIALE - ENTRETOISE - SPACER	68	50205	1	PIASTRA - PLAQUE - PLATE
19	50103	1	CARTER (SX)	69	50558	2	STAFFA - ETRIER - STIRRUP
20	20176	4	DADO - ECROU - NUT	70	40092	1	VITE - VIS - SCREW
21	50711	1	CAVO - CABLE (Gas)	71	31216	2	DADO - ECROU - NUT
22	50079	1	MOLLA - RESSORT - SPRING (SX)	72	50175	1	MANIGLIA - POIGNEE - HANDLE
23	50104	1	CARTER (DX)	73	50071	1	GUIDA ZONE START - MANCHERON - HANDLE
24	50078	1	MOLLA - RESSORT - SPRING (DX)	74	50263	1	CEST. COMP. - FABRIC CATCHER - BAC EN TOILE (Verde - Green)
25	50049	4	PIASTRA - PLAQUE - PLATE		50824		CEST. COMP. - FABRIC CATCHER - BAC EN TOILE (Nero - Black)
26	50051	4	LEVA - LEVIER - LEVER	75	50081	1	RETE - GRILLE
27	50290	4	DISTANZIALE - ANNEAU - SPACER	76	50265	2	PIASTRA - PLAQUE - PLATE
28	50308	4	MOLLA - RESSORT - SPRING	77	50267	1	TELAIO - CHASSIS - FRAME
29	40376	4	VITE - VIS - SCREW	78	50264	1	TELA - TOILE - CANVAS (Verde - Green)
30	50688	4	RUOTA - ROUE - WHEEL		50723		TELA - TOILE - CANVAS (Nera - Black)
31	50667	8	CUSCINETTO - ROULEMENT - BEARING	79	50080	2	GANCIO - PLAQUE DE BAC - GRILLE PLATE
32	20788	4	DADO - ECROU - NUT	80	20016	2	VITE - VIS - SCREW
33	50020	4	COPRIMOZZO - COUVERCLE - WHEEL COVER				

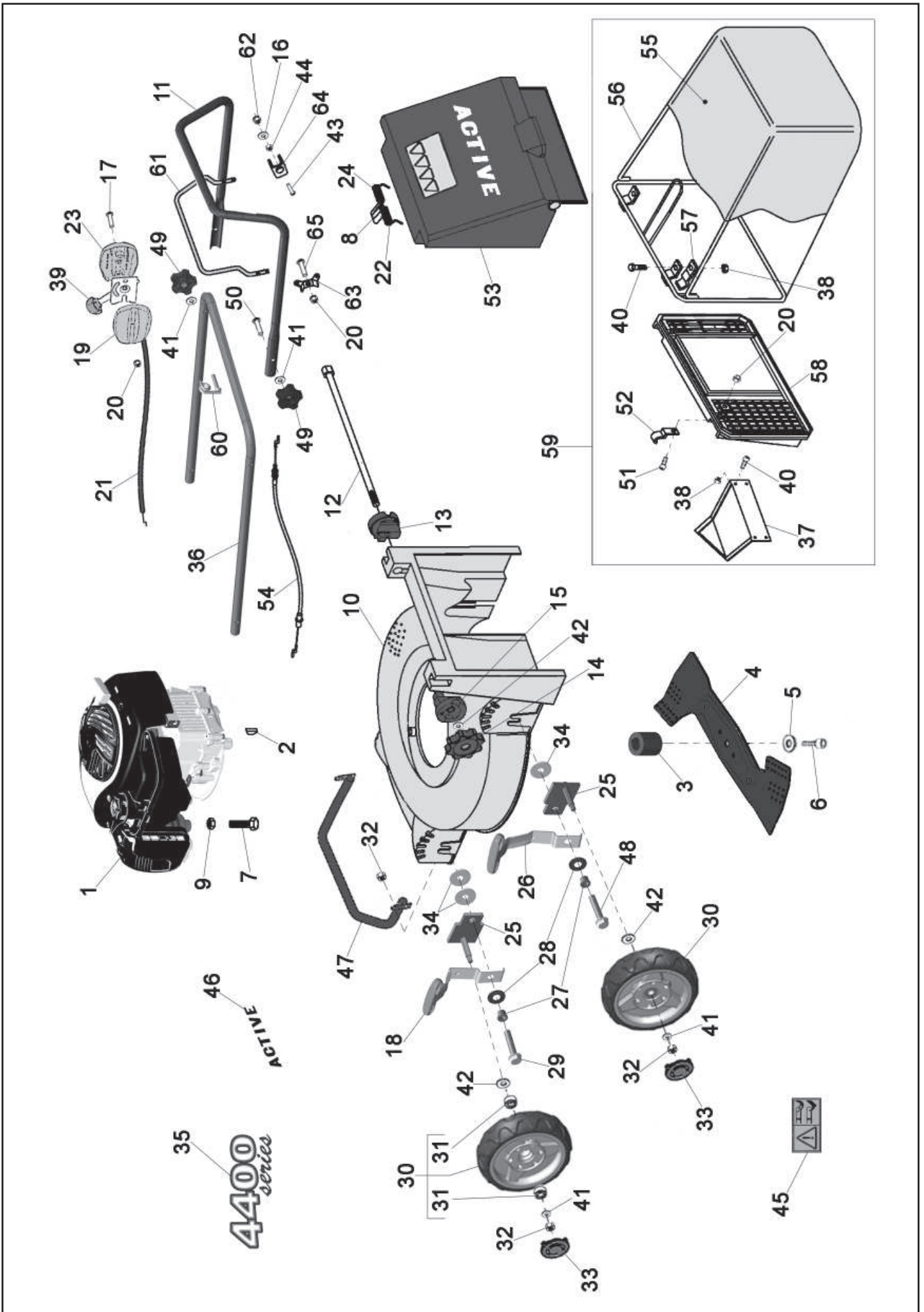
NOTE - NOTES



Valido dal N° di serie
A partir de N° de matricule suivant
From serial N°

44XB120001

Rasaerba - Tondeuses - Lawn mowers (4400 B)



Rasaerba - Tondeuses - Lawn mowers (4400 B)

RIF. REF.	COD. N° / P P / N°	Q.	DESCRIZIONE - DESCRIPTION	RIF. REF.	COD. N° / P P / N°	Q.	DESCRIZIONE - DESCRIPTION
1	50387	1	MOTORE - MOTEUR - ENGINE	34	21686	6	RONDELLA - RONDELLE - WASHER
2	50305	1	CHIAVETTA - CLAVETTE - KEY	35	50286	1	ADESIVO - MARQUE - BRAND
3	50045	1	MOZZO - MOYEUX - HUB (Ø22,2)	36	50059	1	MANUBRIO - MANCHERON - UPPER HANDLE
4	50082	1	LAMA - LAME - BLADE (41 cm)	37	50084	1	TEGOLO - PLAQUE - GRILLE SPOON
5	50538	1	RONDELLA - RONDELLE - WASHER	38	20060	6	DADO - ECROU - NUT
6	50669	1	VITE - VIS - SCREW	39	50094	1	LEVA GAS - LEVIER GAS - GAS LEVER
7	50671	3	VITE - VIS - SCREW	40	20064	6	VITE - VIS - SCREW
8	50018	1	GOMMA - CAOUTCHOUC - RUBBER	41	20711	6	RONDELLA - RONDELLE - WASHER
9	50666	3	DADO - ECROU - NUT	42	20790	5	RONDELLA - RONDELLE - WASHER
10	50073	1	CARTER - CAPOT - HOUSING (Rosso - Red)	43	50830	2	VITE - VIS - SCREW
	50588		CARTER - CAPOT - HOUSING (Grigio - Gray)	44	20917	2	DADO - ECROU - NUT
11	50061	1	MANUBRIO - MANCHERON - UPPER HANDLE	45	50909	1	ADESIVO - ADHESIF - ADHESIVE
12	50057	1	TIRANTE - TIRANT - ROD	46	50762	1	ADESIVO ACTIVE - MARQUE - BRAND
13	50055	1	MOZZO - MOYEUX - HUB (DX)	47	50435	1	PROTEZIONE - PROTECTION - GUARD
14	50019	1	VOLANTINO - VOLANT - KNOB	48	40720	2	VITE - VIS - SCREW
15	50056	1	MOZZO - MOYEUX - HUB (SX)	49	50025	2	MANOPOLA - POIGNEE - HANDLE
16	21139	2	RONDELLA - RONDELLE - WASHER	50	50639	1	VITE - VIS - SCREW
17	20190	1	VITE - VIS - SCREW	51	20016	2	VITE - VIS - SCREW
18	50362	2	LEVA - LEVIER - LEVER	52	50080	2	GANCIO - PLAQUE DE BAC - GRILLE PLATE
19	50545	1	CARTER (SX)	53	50076	1	DEFLETTORE - DEFLECTEUR - DEFLECTOR
20	20176	4	DADO - ECROU - NUT	54	50631	1	CAVO - CABLE (Freno - Brake)
21	50711	1	CAVO - CABLE (Gas)	55	50264	1	TELA - TOILE - CANVAS (Verde - Green)
22	50079	1	MOLLA - RESSORT - SPRING (SX)		50723		TELA - TOILE - CANVAS (Nera - Black)
23	50104	1	CARTER (DX)	56	50267	1	TELAIO - CHASSIS - FRAME
24	50078	1	MOLLA - RESSORT - SPRING (DX)	57	50265	2	PIASTRA - PLAQUE - PLATE
25	50049	4	PIASTRA - PLAQUE - PLATE	58	50081	1	RETE - GRILLE
26	50051	2	LEVA - LEVIER - LEVER	59	50263	1	CEST. COMP. - FABRIC CATCHER - BAC EN TOILE (Verde - Green)
27	50290	4	DISTANZIALE - ANNEAU - SPACER		50824		CEST. COMP. - FABRIC CATCHER - BAC EN TOILE (Nero - Black)
28	50308	4	MOLLA - RESSORT - SPRING	60	50071	1	GUIDA ZONE START - MANCHERON - HANDLE
29	40376	2	VITE - VIS - SCREW	61	50175	1	MANIGLIA - POIGNEE - HANDLE
30	50107	4	RUOTA - ROUE - WHEEL	62	31216	2	DADO - ECROU - NUT
31	50155	8	CUSCINETTO - ROULEMENT - BEARING	63	50205	1	PIASTRA - PLAQUE - PLATE
32	20788	6	DADO - ECROU - NUT	64	50558	2	STAFFA - ETRIER - STIRRUP
33	50020	4	COPRIMOZZO - COUVERCLE - WHEEL COVER	65	40092	1	VITE - VIS - SCREW

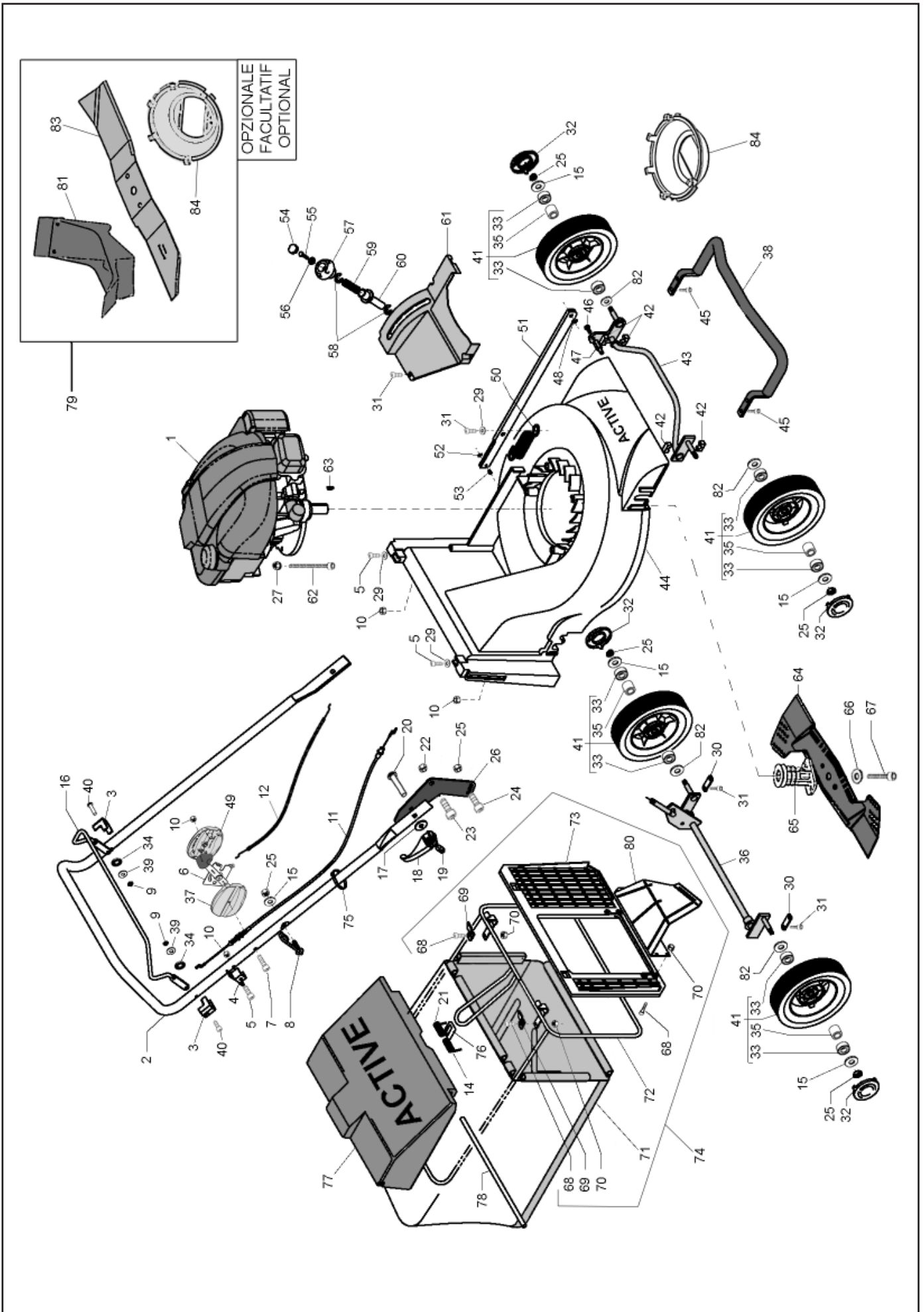
NOTE - NOTES



Valido dal N° di serie
A partir de N° de matricule suivant
From serial N°

44XB140001

Rasaerba - Tondeuses - Lawn mowers (5000 B)



Rasaerba - Tondeuses - Lawn mowers (5000 B)

RIF.	COD.	Q.	DESCRIZIONE - DESCRIPTION	RIF.	COD.	Q.	DESCRIZIONE - DESCRIPTION
REF.	N° / P P / N°			REF.	N° / P P / N°		
1	50602	1	MOTORE - MOTEUR - ENGINE	45	50646	4	VITE - VIS - SCREW
2	50125	1	MANUBRIO - MANCHERON - UPPER HANDLE	46	22798	1	VITE - VIS - SCREW
3	50558	2	STAFFA - ETRIER - STIRRUP	47	50036	1	PERNO - PIVOT - PIN
4	50206	1	STAFFA - PALIER - BRACKET	48	50643	1	SEGEER
5	40092	3	VITE - VIS - SCREW	49	50103	1	CARTER (SX)
6	50094	1	LEVA GAS - LEVIER GAS - GAS LEVER	50	50119	1	MOLLA - RESSORT - SPRING
7	20190	1	VITE - VIS - SCREW	51	50037	1	ASTA - TIGE DE LIAISON - CONNECTION ROD
8	50105	1	GUIDA ZONE START - MANCHERON - HANDLE	52	20087	1	SEGEER
9	31216	2	DADO - ECROU - NUT	53	50114	1	PERNO - AXE - PIN
10	20176	4	DADO - ECROU - NUT	54	50118	1	TAPPO - BOUCHON - PLUG
11	50095	1	CAVO - CABLE (Freno - Brake)	55	35803	1	VITE - VIS - SCREW
12	50069	1	CAVO - CABLE (Gas)	56	20316	1	RONDELLA - RONDELLE - WASHER
14	50023	1	MOLLA - RESSORT - SPRING (DX)	57	50117	1	IMPUGNATURA - POIGNEE GUIDON - HANDLE
15	20711	5	RONDELLA - RONDELLE - WASHER	58	50674	2	SEGEER
16	50211	1	MANIGLIA - POIGNEE - HANDLE	59	50309	1	MOLLA - RESSORT - SPRING
17	21686	2	RONDELLA - RONDELLE - WASHER	60	50116	1	BUSSOLA - ANNEAU - SPACER
18	50127	2	LEVA - LEVIER - LEVER	61	50137	1	CARTERINO - COUVERCLE - COVER
19	50101	2	PERNO - PIVOT - PIN	62	40291	1	VITE - VIS - SCREW
20	50639	2	VITE - VIS - SCREW		50642	2	VITE - VIS - SCREW
21	50618	1	MOLLA - RESSORT - SPRING (SX)	63	50306	1	CHIAVETTA - CLAVETTE - KEY
22	20317	2	DADO - ECROU - NUT	64	50024	1	LAMA - LAME - BLADE (48 cm)
23	40379	2	VITE - VIS - SCREW	65	50608	1	MOZZO - MOYEUR - HUB (Ø25)
24	50757	2	VITE - VIS - SCREW	66	50538	1	RONDELLA - RONDELLE - WASHER
25	20788	7	DADO - ECROU - NUT	67	50641	1	VITE - VIS - SCREW
26	50123	2	MANUBRIO - MANCHERON - LOWER HANDLE	68	20064	6	VITE - VIS - SCREW
27	50666	3	DADO - ECROU - NUT	69	50193	2	PIASTRA - PLAQUE - PLATE
29	40151	3	RONDELLA - RONDELLE - WASHER	70	20060	6	DADO - ECROU - NUT
30	50042	2	PIASTRA - PLAQUE - PLATE	71	50044	1	TELA - TOILE - CANVAS (Verde - Green)
31	50645	9	VITE - VIS - SCREW		50724		TELA - TOILE - CANVAS (Nera - Black)
32	50020	4	COPRIMOZZO - COUVERCLE - WHEEL COVER	72	50034	1	TELAIO - CHASSIS - FRAME
33	50667	8	CUSCINETTO - ROULEMENT - BEARING	73	50032	1	RETE - GRILLE
34	50761	2	RONDELLA - RONDELLE - WASHER	74	50043	1	CEST. COMP. - FABRIC CATCHER - BAC EN TOILE (Verde - Green)
35	50544	4	DISTANZIALE - ENTRETOISE - SPACER		50825		CEST. COMP. - FABRIC CATCHER - BAC EN TOILE (Nero - Black)
36	50620	1	ASSALE - AXE - AXLE	75	50314	2	FA SCETTA - CLIP
37	50104	1	CARTER (DX)	76	50018	1	IMPUGNATURA - POIGNEE GUIDON - HANDLE
38	50142	1	PROTEZIONE - PROTECTION - GUARD	77	50031	1	DEFLETTORE - DEFLECTEUR - DEFLECTOR
39	21139	4	RONDELLA - RONDELLE - WASHER	78	50299	1	PERNO - PIVOT - PIN
40	50830	2	VITE - VIS - SCREW	79	50905	1	KIT MULCHING (OPTIONAL - FACULTATIF)
41	50690	4	RUOTA - ROUE - WHEEL	80	50099	1	TEGOLO - PLAQUE - SPOON
42	50097	4	BLOCCO - ARRET - LOCKING PLATE	81	50763	1	TAPPO MULCHING - FERMATURE - MULCHING PLUG
43	50035	1	ASSALE - AXE - AXLE	82	20790	4	RONDELLA - RONDELLE - WASHER
44	50139	1	CARTER - CAPOT - HOUSING (Rosso - Red)	83	50845	1	LAMA - LAME - BLADE (Mulching)
	50589		CARTER - CAPOT - HOUSING (Grigio - Gray)	84	50891	1	CARTERINO - COUVERCLE - COVER

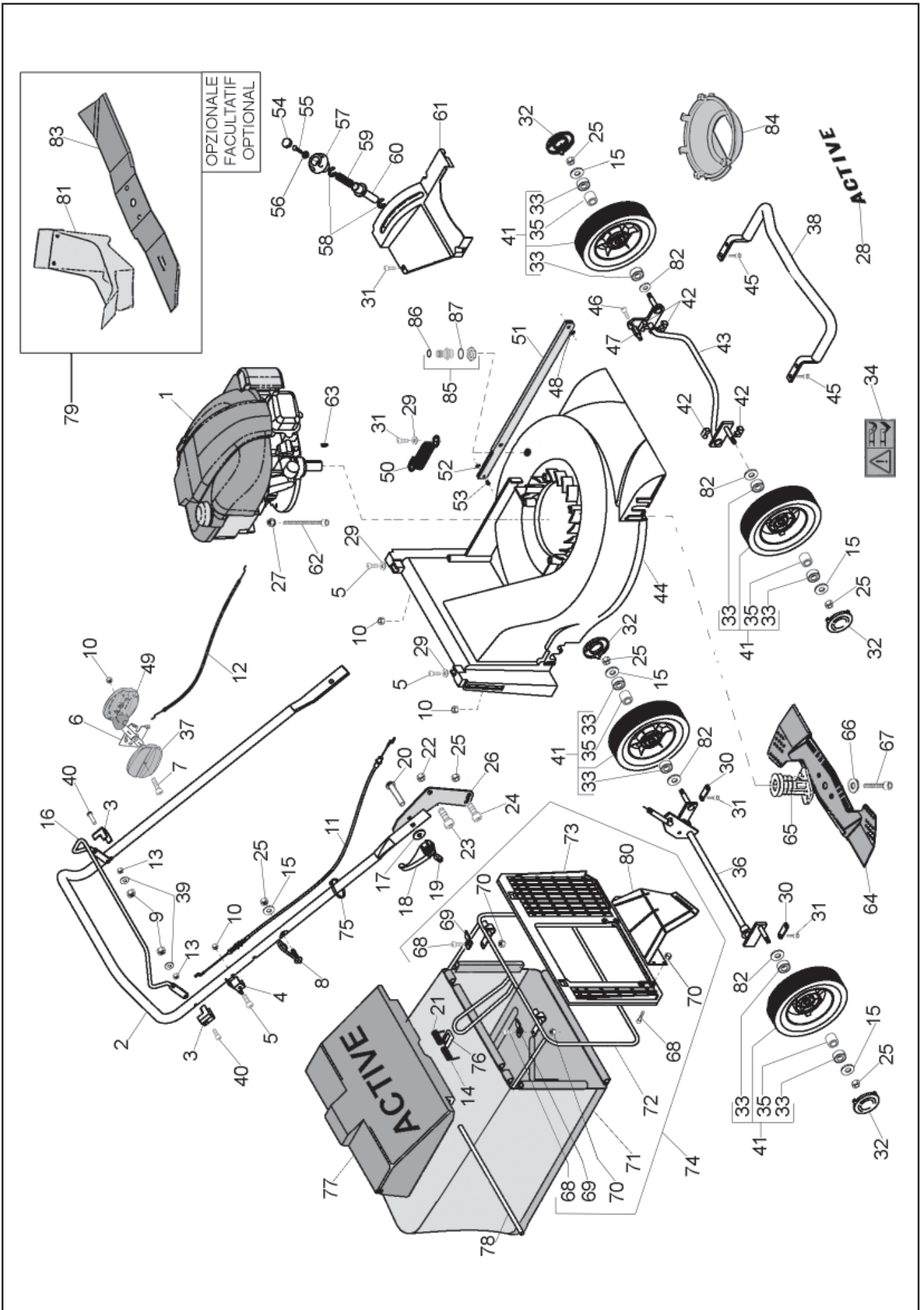
NOTE - NOTES



Valido dal N° di serie
A partir de N° de matricule suivant
From serial N°

50XB10001

Rasaerba - Tondeuses - Lawn mowers (5000 B)



Rasaerba - Tondeuses - Lawn mowers (5000 B)

RIF.	COD.	Q.	DESCRIZIONE - DESCRIPTION	RIF.	COD.	Q.	DESCRIZIONE - DESCRIPTION
REF.	N° / P P / N°			REF.	N° / P P / N°		
1	50602	1	MOTORE - MOTEUR - ENGINE	46	22798	1	VITE - VIS - SCREW
2	50125	1	MANUBRIO - MANCHERON - UPPER HANDLE	47	50036	1	PERNO - PIVOT - PIN
3	50558	2	STAFFA - ETRIER - STIRRUP	48	50643	1	SEGEER
4	50206	1	STAFFA - PALIER - BRACKET	49	50103	1	CARTER (SX)
5	40092	3	VITE - VIS - SCREW	50	50119	1	MOLLA - RESSORT - SPRING
6	50094	1	LEVA GAS - LEVIER GAS - GAS LEVER	51	50037	1	ASTA - TIGE DE LIAISON - CONNECTION ROD
7	20190	1	VITE - VIS - SCREW	52	20087	1	SEGEER
8	50105	1	GUIDA ZONE START - MANCHERON - HANDLE	53	50114	1	PERNO - AXE - PIN
9	31216	2	DADO - ECROU - NUT	54	50118	1	TAPPO - BOUCHON - PLUG
10	20176	3	DADO - ECROU - NUT	55	35803	1	VITE - VIS - SCREW
11	50095	1	CAVO - CABLE (Freno - Brake)	56	20316	1	RONDELLA - RONDELLE - WASHER
12	50069	1	CAVO - CABLE (Gas)	57	50117	1	IMPUGNATURA - POIGNEE GUIDON - HANDLE
13	20917	2	DADO - ECROU - NUT	58	50674	2	SEGEER
14	50023	1	MOLLA - RESSORT - SPRING (DX)	59	50309	1	MOLLA - RESSORT - SPRING
15	20711	4	RONDELLA - RONDELLE - WASHER	60	50116	1	BUSSOLA - ANNEAU - SPACER
16	50211	1	MANIGLIA - POIGNEE - HANDLE	61	50137	1	CARTERINO - COUVERCLE - COVER
17	21686	2	RONDELLA - RONDELLE - WASHER	62	40291	1	VITE - VIS - SCREW
18	50127	2	LEVA - LEVIER - LEVER	62	50642	2	VITE - VIS - SCREW
19	50101	2	PERNO - PIVOT - PIN	63	50306	1	CHIAVETTA - CLAVETTE - KEY
20	50639	2	VITE - VIS - SCREW	64	50024	1	LAMA - LAME - BLADE (48 cm)
21	50618	1	MOLLA - RESSORT - SPRING (SX)	65	50608	1	MOZZO - MOYEUX - HUB (Ø25)
22	20317	2	DADO - ECROU - NUT	66	50538	1	RONDELLA - RONDELLE - WASHER
23	40379	2	VITE - VIS - SCREW	67	50641	1	VITE - VIS - SCREW
24	50757	2	VITE - VIS - SCREW	68	20064	6	VITE - VIS - SCREW
25	20788	7	DADO - ECROU - NUT	69	50193	2	PIASTRA - PLAQUE - PLATE
26	50123	2	MANUBRIO - MANCHERON - LOWER HANDLE	70	20060	6	DADO - ECROU - NUT
27	50666	3	DADO - ECROU - NUT	71	50044	1	TELA - TOILE - CANVAS (Verde - Green)
28	50762	1	ADESIVO ACTIVE - MARQUE - BRAND	71	50724	1	TELA - TOILE - CANVAS (Nera - Black)
29	40151	3	RONDELLA - RONDELLE - WASHER	72	50153	1	TELAIO - CHASSIS - FRAME
30	50042	2	PIASTRA - PLAQUE - PLATE	73	50032	1	RETE - GRILLE
31	50645	9	VITE - VIS - SCREW	74	50345	1	CEST. COMP. - FABRIC CATCHER - BAC EN TOILE (Verde - Green)
32	50020	4	COPRIMOZZO - COUVERCLE - WHEEL COVER	74	50346	1	CEST. COMP. - FABRIC CATCHER - BAC EN TOILE (Nero - Black)
33	50667	8	CUSCINETTO - ROULEMENT - BEARING	75	50314	2	FA SCETTA - CLIP
34	50909	1	ADESIVO - ADHESIF - ADHESIVE	76	50018	1	GOMMINO - CAOUTCHOUC - RUBBER
35	50544	4	DISTANZIALE - ENTRETOISE - SPACER	77	50031	1	DEFLETTORE - DEFLECTEUR - DEFLECTOR
36	50620	1	ASSALE - AXE - AXLE	78	50299	1	PERNO - PIVOT - PIN
37	50104	1	CARTER (DX)	79	50470	1	KIT MULCHING (OPTIONAL - FACULTATIF)
38	50142	1	PROTEZIONE - PROTECTION - GUARD	80	50099	1	TEGOLO - PLAQUE - SPOON
39	21139	2	RONDELLA - RONDELLE - WASHER	81	50763	1	TAPPO MULCHING - FERMA TURE - MULCHING PLUG
40	50830	2	VITE - VIS - SCREW	82	20790	4	RONDELLA - RONDELLE - WASHER
41	50690	4	RUOTA - ROUE - WHEEL	83	50845	1	LAMA - LAME - BLADE (Mulching)
42	50097	4	BLOCCO - ARRET - LOCKING PLATE	84	50891	1	CARTERINO - COUVERCLE - COVER
43	50035	1	ASSALE - AXE - AXLE	85	50209	1	ATTACCO ACQUA - RACCORDEMENT à L'EAU - WATER CONNECTION
44	50139	1	CARTER - CAPOT - HOUSING (Rosso - Red)	86	23755	1	GOMMINO - CAOUTCHOUC - RUBBER
	50589	1	CARTER - CAPOT - HOUSING (Grigio - Gray)	87	23758	1	GOMMINO - CAOUTCHOUC - RUBBER
45	50646	4	VITE - VIS - SCREW				

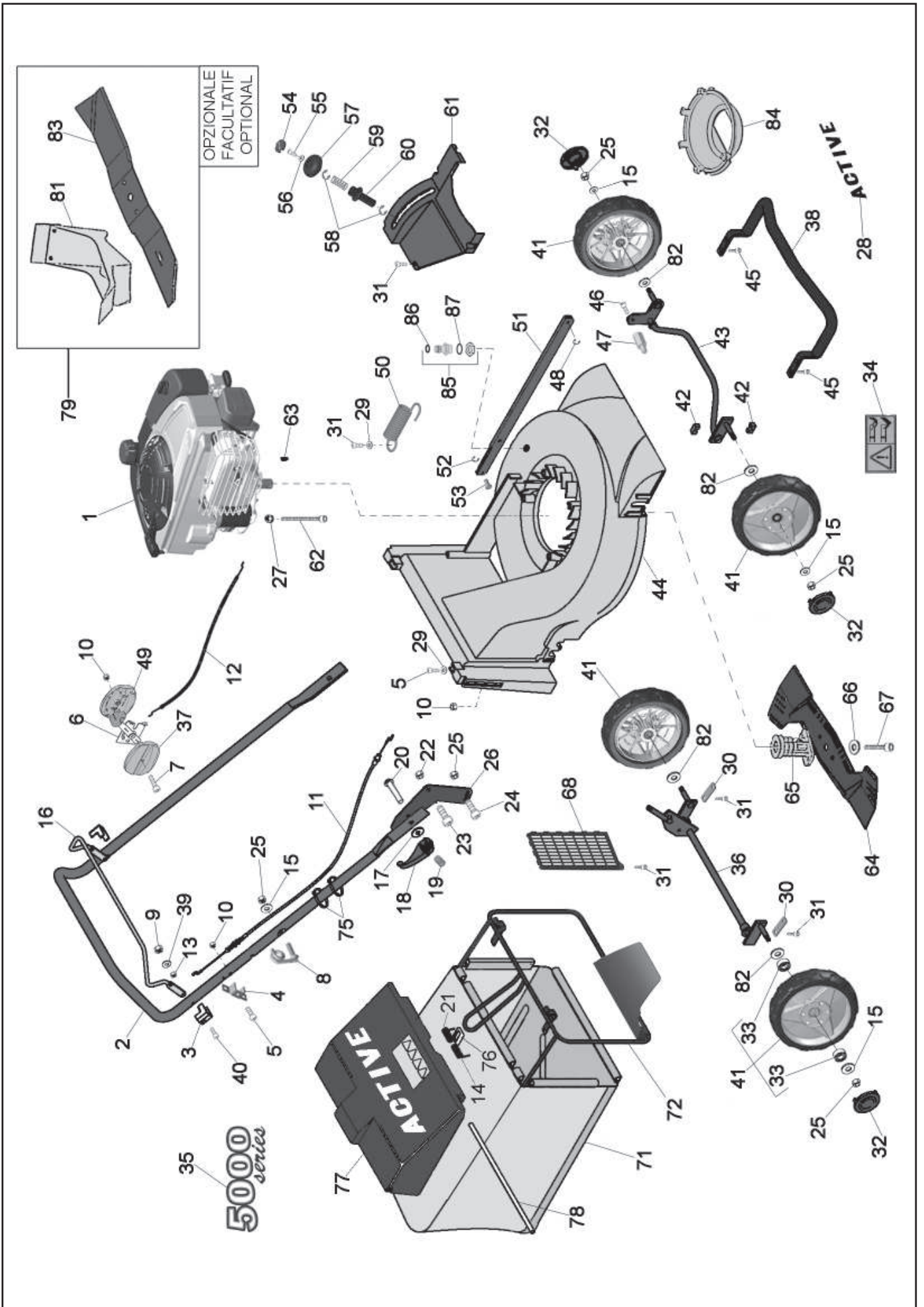
NOTE - NOTES



Valido dal N° di serie
A partir de N° de matricule suivant
From serial N°

50XB130001

Rasaerba - Tondeuses - Lawn mowers (5000 B)



Rasaerba - Tondeuses - Lawn mowers (5000 B)

RIF.	COD.	Q.	DESCRIZIONE - DESCRIPTION	RIF.	COD.	Q.	DESCRIZIONE - DESCRIPTION
REF.	N° / P P / N°			REF.	N° / P P / N°		
1	50347	1	MOTORE - MOTEUR - ENGINE	44	50139	1	CARTER - CAPOT - HOUSING (Rosso - Red)
2	50125	1	MANUBRIO - MANCHERON - UPPER HANDLE		50589		CARTER - CAPOT - HOUSING (Grigio - Gray)
3	50558	2	STAFFA - ETRIER - STIRRUP	45	50646	4	VITE - VIS - SCREW
4	50206	1	STAFFA - PALIER - BRACKET	46	22798	1	VITE - VIS - SCREW
5	40092	3	VITE - VIS - SCREW	47	50036	1	PERNO - PIVOT - PIN
6	50094	1	LEVA GAS - LEVIER GAS - GAS LEVER	48	50643	1	SEGEER
7	20190	1	VITE - VIS - SCREW	49	50545	1	CARTER (SX)
8	50105	1	GUIDA ZONE START - MANCHERON - HANDLE	50	50119	1	MOLLA - RESSORT - SPRING
9	31216	2	DADO - ECROU - NUT	51	50037	1	ASTA - TIGE DE LIAISON - CONNECTION ROD
10	20176	4	DADO - ECROU - NUT	52	20087	1	SEGEER
11	50095	1	CAVO - CABLE (Freno - Brake)	53	50114	1	PERNO - AXE - PIN
12	50069	1	CAVO - CABLE (Gas)	54	50118	1	TAPPO - BOUCHON - PLUG
13	20917	2	DADO - ECROU - NUT	55	35803	1	VITE - VIS - SCREW
14	50023	1	MOLLA - RESSORT - SPRING (DX)	56	20316	1	RONDELLA - RONDELLE - WASHER
15	20711	5	RONDELLA - RONDELLE - WASHER	57	50117	1	IMPUGNATURA - POIGNEE GUIDON - HANDLE
16	50211	1	MANIGLIA - POIGNEE - HANDLE	58	50674	2	SEGEER
17	21686	2	RONDELLA - RONDELLE - WASHER	59	50309	1	MOLLA - RESSORT - SPRING
18	50127	2	LEVA - LEVIER - LEVER	60	50116	1	BUSSOLA - ANNEAU - SPACER
19	50101	2	PERNO - PIVOT - PIN	61	50137	1	CARTERINO - COUVERCLE - COVER
20	50639	2	VITE - VIS - SCREW	62	40291	1	VITE - VIS - SCREW
21	50618	1	MOLLA - RESSORT - SPRING (SX)		50642	2	VITE - VIS - SCREW
22	20317	2	DADO - ECROU - NUT	63	50306	1	CHIAVETTA - CLAVETTE - KEY
23	40379	2	VITE - VIS - SCREW	64	50024	1	LAMA - LAME - BLADE (48 cm)
24	50757	2	VITE - VIS - SCREW	65	50608	1	MOZZO - MOYEUR - HUB (Ø25)
25	20788	7	DADO - ECROU - NUT	66	50538	1	RONDELLA - RONDELLE - WASHER
26	50123	2	MANUBRIO - MANCHERON - LOWER HANDLE	67	50641	1	VITE - VIS - SCREW
27	50666	3	DADO - ECROU - NUT	68	50121	1	RETE - GRILLE
28	50762	1	ADESIVO ACTIVE - MARQUE - BRAND	69	23755	1	GOMMINO - CAOUTCHOUC - RUBBER
29	40151	3	RONDELLA - RONDELLE - WASHER	70	23758	1	GOMMINO - CAOUTCHOUC - RUBBER
30	50042	2	PIASTRA - PLAQUE - PLATE	71	50477	1	TELA - TOILE - CANVAS (Verde - Green)
31	50645	10	VITE - VIS - SCREW		50480		TELA - TOILE - CANVAS (Nera - Black)
32	50020	4	COPRIMOZZO - COUVERCLE - WHEEL COVER	72	50132	1	TELAIO - CHASSIS - FRAME
33	50155	8	CUSCINETTO - ROULEMENT - BEARING	73	50209	1	ATTACCO ACQUA - RACCORDEMENT à L'EAU - WATER CONNECTION
34	50909	1	ADESIVO - ADHESIF - ADHESIVE	74	50891	1	CARTERINO - COUVERCLE - COVER
35	50600	1	ADESIVO - ADHESIF - ADHESIVE	75	50314	2	FASCETTA - CLIP
36	50620	1	ASSALE - AXE - AXLE	76	50018	1	GOMMINO - CAOUTCHOUC - RUBBER
37	50104	1	CARTER (DX)	77	50031	1	DEFLETTORE - DEFLECTEUR - DEFLECTOR
38	50142	1	PROTEZIONE - PROTECTION - GUARD	78	50299	1	PERNO - PIVOT - PIN
39	21139	2	RONDELLA - RONDELLE - WASHER	79	50470	1	KIT MULCHING (OPTIONAL - FACULTATIF)
40	50830	2	VITE - VIS - SCREW	80	50845	1	LAMA - LAME - BLADE (Mulching)
41	50357	4	RUOTA - ROUE - WHEEL	81	50763	1	TAPPO MULCHING - FERMA TURE - MULCHING PLUG
42	50097	4	BLOCCO - ARRET - LOCKING PLATE	82	20790	4	RONDELLA - RONDELLE - WASHER
43	50035	1	ASSALE - AXE - AXLE				

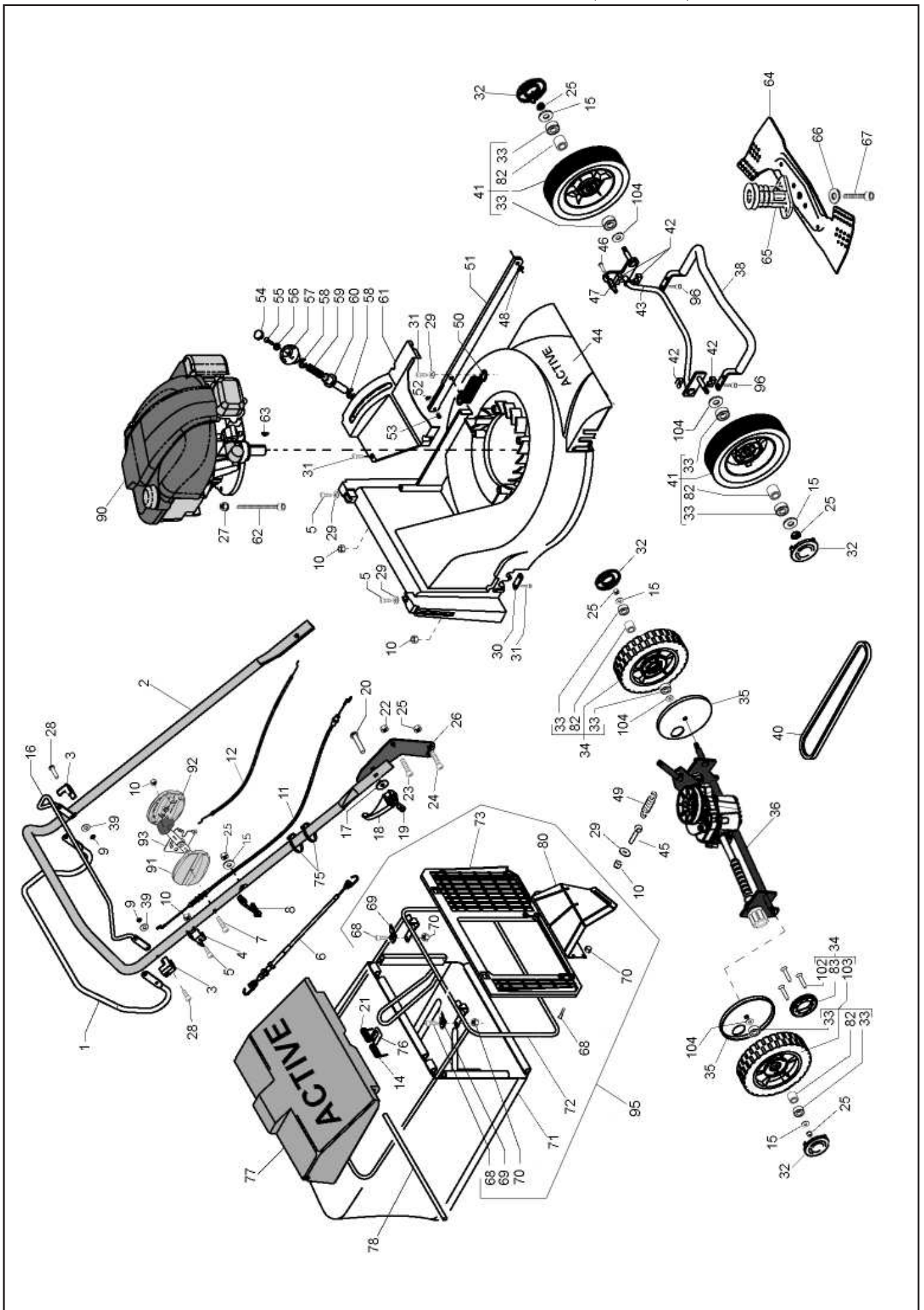
NOTE - NOTES



Valido dal N° di serie
A partir de N° de matricule suivant
From serial N°

50XB140001

Rasaerba - Tondeuses - Lawn mowers (5000 SB)



Rasaerba - Tondeuses - Lawn mowers (5000 SB)

RIF.	COD.	Q.	DESCRIZIONE - DESCRIPTION	RIF.	COD.	Q.	DESCRIZIONE - DESCRIPTION
REF.	N° / P P / N°			REF.	N° / P P / N°		
1	50214	1	MANIGLIA - POIGNEE - HANDLE	51	50037	1	ASTA - TIGE DE LIAISON - CONNECTION ROD
2	50125	1	MANUBRIO - MANCHERON - UPPER HANDLE	52	20087	1	SEGEER
3	50558	2	STAFFA - ETRIER - STIRRUP	53	50114	1	PERNO - PIVOT - PIN
4	50206	1	STAFFA - PALIER - BRACKET	54	50118	1	TAPPO - BOUCHON - PLUG
5	40092	3	VITE - VIS - SCREW	55	35803	1	VITE - VIS - SCREW
6	50368	1	CAVO - CABLE (Trazione - Traction)	56	20316	1	RONDELLA - RONDELLE - WASHER
7	20190	1	VITE - VIS - SCREW	57	50117	1	IMPUGNATURA - POIGNEE GUIDON - HANDLE
8	50105	1	GUIDA ZONE START - MANCHERON - HANDLE	58	50674	2	SEGEER
9	31216	2	DADO - ECROU - NUT	59	50309	1	MOLLA - RESSORT - SPRING
10	20176	5	DADO - ECROU - NUT	60	50116	1	BUSSOLA - ANNEAU - SPACER
11	50095	1	CAVO - CABLE (Freno - Brake)	61	50137	1	CARTERINO - COUVERCLE - COVER
12	50069	1	CAVO - CABLE (Gas)	62	40291	1	VITE - VIS - SCREW
14	50023	1	MOLLA - RESSORT - SPRING (DX)		50642	2	VITE - VIS - SCREW
15	20711	5	RONDELLA - RONDELLE - WASHER	63	50306	1	CHIAVETTA - CLAVETTE - KEY
16	50211	1	MANIGLIA - POIGNEE - HANDLE	64	50024	1	LAMA - LAME - BLADE (48 cm)
17	21686	2	RONDELLA - RONDELLE - WASHER	65	50608	1	MOZZO - MOYEUX - HUB (Ø25)
18	50127	2	LEVA - LEVIER - LEVER	66	50538	1	RONDELLA - RONDELLE - WASHER
19	50101	2	PERNO - PIVOT - PIN	67	50641	1	VITE - VIS - SCREW
20	50639	2	VITE - VIS - SCREW	68	20064	6	VITE - VIS - SCREW
21	50618	1	MOLLA - RESSORT - SPRING (SX)	69	50193	2	PIASTRA - PLAQUE - PLATE
22	20317	2	DADO - ECROU - NUT	70	20060	6	DADO - ECROU - NUT
23	40379	2	VITE - VIS - SCREW	71	50044	1	TELA - TOILE - CANVAS (Verde - Green)
24	50757	2	VITE - VIS - SCREW		50724	1	TELA - TOILE - CANVAS (Nera - Black)
25	20788	6	DADO - ECROU - NUT	72	50034	1	TELAIO - CHASSIS - FRAME
26	50123	2	PIASTRA - PLAQUE - PLATE	73	50032	1	RETE - GRILLE
27	50666	3	DADO - ECROU - NUT	75	50314	2	FASCETTA - CLIP
28	50830	2	VITE - VIS - SCREW	76	50018	1	IMPUGNATURA - POIGNEE GUIDON - HANDLE
29	40151	4	RONDELLA - RONDELLE - WASHER	77	50031	1	DEFLETTORE - DEFLECTEUR - DEFLECTOR
30	50042	2	PIASTRA - PLAQUE - PLATE	78	50299	1	PERNO - PIVOT - PIN
31	50645	9	VITE - VIS - SCREW	79	50738	1	PIASTRA - PLAQUE - PLATE
32	50020	4	COPRIMOZZO - COUVERCLE - WHEEL COVER	80	50099	1	TEGOLO - PLAQUE - SPOON
33	50667	8	CUSCINETTO - ROULEMENT - BEARING	82	50544	4	DISTANZIALE - ENTRETOISE - SPACER
34	50692	2	KIT : RUOTA - ROUE - WHEEL	83	50529	2	CORONA - COURONNE - CROWN
35	50174	2	PARAPOLVERE - PROTECTION - GUARD	84	50527	1	PIGNONE - PIGNON - PINION (SX)
36	50003	1	KIT : TRASMISSIONE - BOITE DE VIT. - GEARBOX	85	50528	1	PIGNONE - PIGNON - PINION (DX)
37	50216	1	PULEGGIA - POULIE - PULLEY	86	50186	2	PARAPOLVERE - PROTECTION - GUARD
38	50142	1	PROTEZIONE - PROTECTION - GUARD	87	50678	2	RONDELLA - RONDELLE - WASHER
39	21139	6	RONDELLA - RONDELLE - WASHER	88	20218	2	SEGEER
40	50323	1	CINGHIA - COURROIE - BELT	89	50188	2	CHIAVETTA - CLAVETTE - KEY
41	50690	2	RUOTA - ROUE - WHEEL	90	50602	1	MOTORE - MOTEUR - ENGINE
42	50097	4	BLOCCO - ARRET - LOCKING PLATE	91	50103	1	CARTER (SX)
43	50035	1	ASSALE - AXE - AXLE	92	50104	1	CARTER (DX)
44	50139	1	CARTER - CAPOT - HOUSING (Rosso - Red)	93	50094	1	LEVA GAS - LEVIER GAS - GAS LEVER
	50589	1	CARTER - CAPOT - HOUSING (Grigio - Gray)	94	50832	1	ASSALE - AXE - AXLE
45	50755	1	TIRANTE - TIRAGE - STAY BAR	95	50043	1	CEST. COMP. - FABRIC CATCHER - BAC EN TOILE (Verde - Green)
46	22798	1	VITE - VIS - SCREW		50825	1	CEST. COMP. - FABRIC CATCHER - BAC EN TOILE (Nero - Black)
47	50036	1	PERNO - PIVOT - PIN	96	50646	4	VITE - VIS - SCREW
48	50643	1	SEGEER	102	50640	6	VITE - VIS - SCREW
49	50756	1	MOLLA - RESSORT - SPRING	103	50700	2	RUOTA - ROUE - WHEEL
50	50119	1	MOLLA - RESSORT - SPRING	104	20790	4	RONDELLA - RONDELLE - WASHER

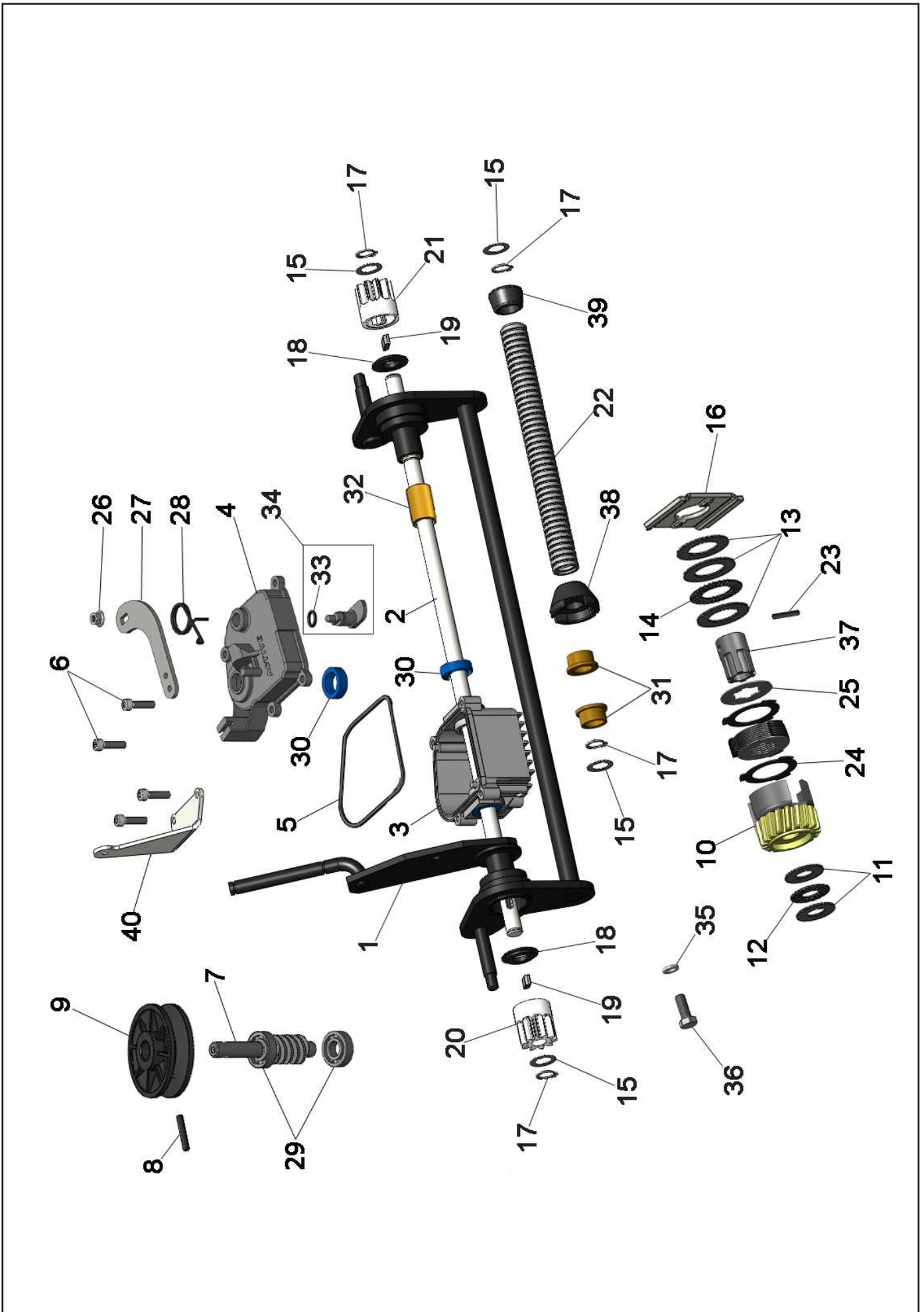
NOTE - NOTES



Valido dal N° di serie
A partir de N° de matricule suivant
From serial N°

50SB10001

50003 Trasmissione - Transmission - Transmission

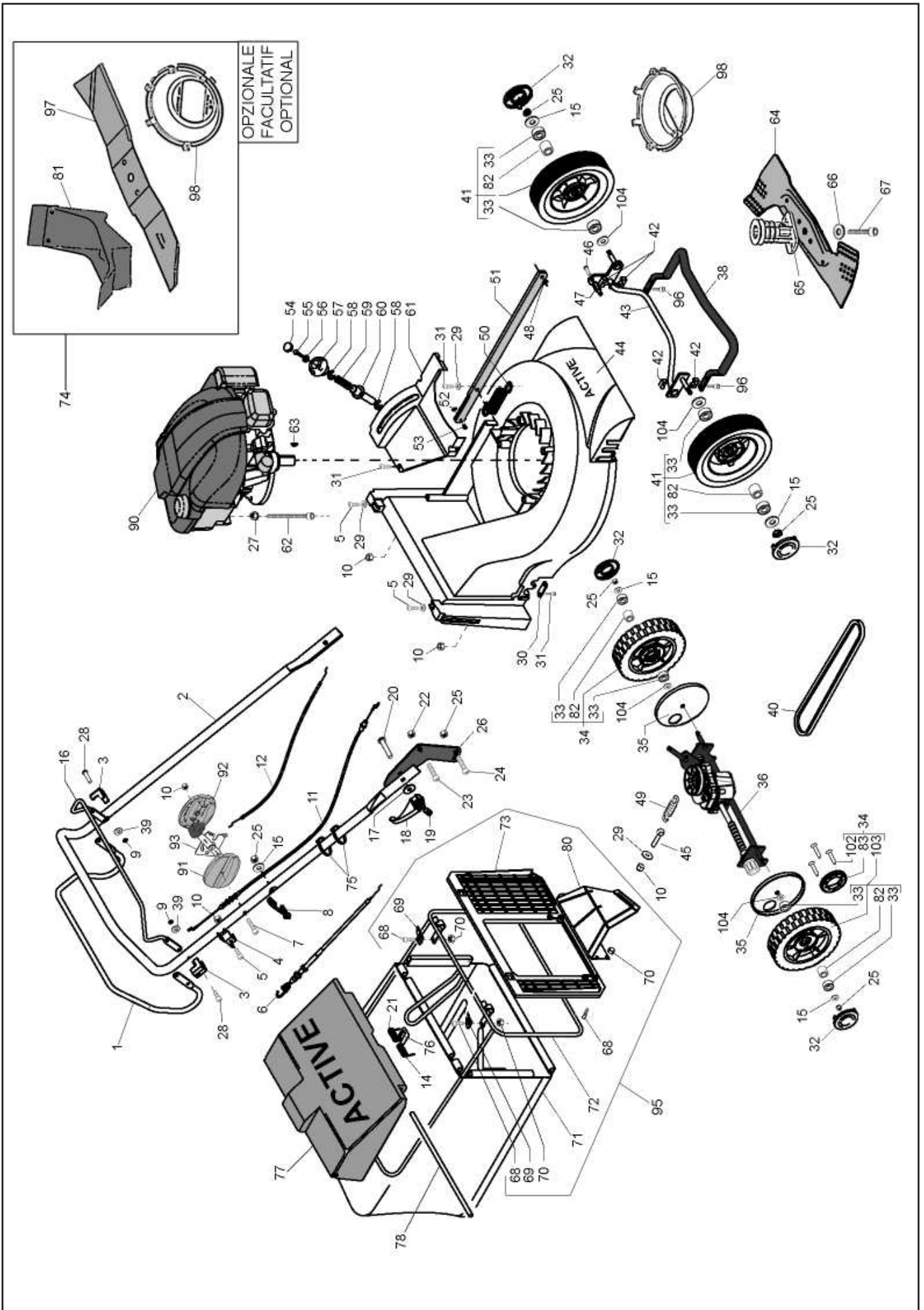


50003 Trasmissione - Transmission - Transmission

RIF. REF.	COD. N° / P P / N°	Q.	DESCRIZIONE - DESCRIPTION	RIF. REF.	COD. N° / P P / N°	Q.	DESCRIZIONE - DESCRIPTION
1	50120	1	ASSALE - AXE - AXLE	21	50528	1	PIGNONE - PIGNON - PINION (DX)
2	50647	1	ALBERO - ARBRE - SHAFT	22	50109	1	PROTEZIONE - PROTECTION - GUARD
3	50606	1	SCATOLA - BOITE - BOX	23	50295	1	SPINA ELAST. - GOUPILLES - ELAST.PIN
4	50229	1	COPERCHIO - COUVERTURE - COVER	24	50706	10	DISCO - DISK
5	50321	1	GUARNIZIONE - JOINT - GASKET	25	50707	10	DISCO - DISK
6	20001	4	VITE - VIS - SCREW	26	50519	1	DADO - ECROU - NUT
7	50524	1	VITE S.F. - VIS - SCREW	27	50255	1	LEVA - LEVIER - LEVER
8	50298	1	SPINA ELAST. - GOUPILLES - ELAST.PIN	28	50310	1	MOLLA - RESSORT - SPRING
9	50216	1	PULEGGIA - PUOLIE - PULLEY (Ø71)	29	22511	2	CUSCINETTO - ROULEMENT - BEARING
10	50281	1	ASSIEME CAMPANA - TAMBOUR - DRUM	30	50320	3	ANELLO DI TENUTA - JOINT - SEAL
11	50303	1	RONDELLA - RONDELLE - WASHER	31	50540	2	BUSSOLA - ENTRETOISE - SPACER
12	50521	1	CUSCINETTO - ROULEMENT - BEARING	32	50541	2	BUSSOLA - ENTRETOISE - SPACER
13	50261	3	RONDELLA - RONDELLE - WASHER	33	20324	1	O-RING
14	50522	1	CUSCINETTO - ROULEMENT - BEARING	34	50179	1	LEVA - LEVIER - LEVER
15	50678	4	RASAMENTO - RONDELLE - WASHER SHIMS	35	50772	1	RONDELLA - RONDELLE - WASHER
16	50546	1	LEVA - LEVIER - LEVER	36	50771	1	VITE - VIS - SCREW
17	20218	4	SEEGER	37	50284	1	BUSSOLA - ENTRETOISE - SPACER
18	50186	2	PROTEZIONE - PROTECTION - GUARD	38	50342	1	BUSSOLA - ENTRETOISE - SPACER
19	50188	2	CHIAVETTA - CLAVETTE - KEY	39	50341	1	BUSSOLA - ENTRETOISE - SPACER
20	50527	1	PIGNONE - PIGNON - PINION (SX)	40	50738	1	STAFFA - PALIER - BRACKET

NOTE - NOTES

Rasaerba - Tondeuses - Lawn mowers (5000 SB)



Rasaerba - Tondeuses - Lawn mowers (5000 SB)

RIF.	COD.	Q.	DESCRIZIONE - DESCRIPTION	RIF.	COD.	Q.	DESCRIZIONE - DESCRIPTION
REF.	N° / P P / N°			REF.	N° / P P / N°		
1	50214	1	MANIGLIA - POIGNEE - HANDLE	50	50119	1	MOLLA - RESSORT - SPRING
2	50125	1	MANUBRIO - MANCHERON - UPPER HANDLE	51	50037	1	ASTA - TIGE DE LIAISON - CONNECTION ROD
3	50558	2	STAFFA - ETRIER - STIRRUP	52	20087	1	SEGEER
4	50206	1	STAFFA - PALIER - BRACKET	53	50114	1	PERNO - PIVOT - PIN
5	40092	3	VITE - VIS - SCREW	54	50118	1	TAPPO - BOUCHON - PLUG
6	50368	1	CAVO - CABLE (Trazione - Traction)	55	35803	1	VITE - VIS - SCREW
7	20190	1	VITE - VIS - SCREW	56	20316	1	RONDELLA - RONDELLE - WASHER
8	50105	1	GUIDA ZONE START - MANCHERON - HANDLE	57	50117	1	IMPUGNATURA - POIGNEE GUIDON - HANDLE
9	31216	2	DADO - ECROU - NUT	58	50674	2	SEGEER
10	20176	5	DADO - ECROU - NUT	59	50309	1	MOLLA - RESSORT - SPRING
11	50095	1	CAVO - CABLE (Freno - Brake)	60	50116	1	BUSSOLA - ANNEAU - SPACER
12	50069	1	CAVO - CABLE (Gas)	61	50137	1	CARTERINO - COUVERCLE - COVER
14	50023	1	MOLLA - RESSORT - SPRING (DX)	62	40291	1	VITE - VIS - SCREW
15	20711	5	RONDELLA - RONDELLE - WASHER		50642	2	VITE - VIS - SCREW
16	50211	1	MANIGLIA - POIGNEE - HANDLE	63	50306	1	CHIAVETTA - CLAVETTE - KEY
17	21686	2	RONDELLA - RONDELLE - WASHER	64	50024	1	LAMA - LAME - BLADE (48 cm)
18	50127	2	LEVA - LEVIER - LEVER	65	50608	1	MOZZO - MOYEUX - HUB (Ø25)
19	50101	2	PERNO - PIVOT - PIN	66	50538	1	RONDELLA - RONDELLE - WASHER
20	50639	2	VITE - VIS - SCREW	67	50641	1	VITE - VIS - SCREW
21	50618	1	MOLLA - RESSORT - SPRING (SX)	68	20064	6	VITE - VIS - SCREW
22	20317	2	DADO - ECROU - NUT	69	50193	2	PIASTRA - PLAQUE - PLATE
23	40379	2	VITE - VIS - SCREW	70	20060	6	DADO - ECROU - NUT
24	50757	2	VITE - VIS - SCREW	71	50044	1	TELA - TOILE - CANVAS (Verde - Green)
25	20788	6	DADO - ECROU - NUT		50724	1	TELA - TOILE - CANVAS (Nera - Black)
26	50123	2	PIASTRA - PLAQUE - PLATE	72	50034	1	TELAIO - CHASSIS - FRAME
27	50666	3	DADO - ECROU - NUT	73	50032	1	RETE - GRILLE
28	50830	2	VITE - VIS - SCREW	74	50905	1	KIT MULCHING (OPTIONAL - FACULTATIF)
29	40151	4	RONDELLA - RONDELLE - WASHER	75	50314	2	FASCETTA - CLIP
30	50042	2	PIASTRA - PLAQUE - PLATE	76	50018	1	IMPUGNATURA - POIGNEE GUIDON - HANDLE
31	50645	9	VITE - VIS - SCREW	77	50031	1	DEFLETTORE - DEFLECTEUR - DEFLECTOR
32	50020	4	COPRIMOZZO - COUVERCLE - WHEEL COVER	78	50299	1	PERNO - PIVOT - PIN
33	50667	8	CUSCINETTO - ROULEMENT - BEARING	80	50099	1	TEGOLO - PLAQUE - SPOON
34	50692	2	KIT : RUOTA - ROUE - WHEEL	81	50763	1	TAPPO MULCHING - FERMATURE - MULCHING PLUG
35	50174	2	PARAPOLVERE - PROTECTION - GUARD	82	50544	4	DISTANZIALE - ENTRETOISE - SPACER
36	50955	1	KIT : TRASMISSIONE - BOITE DE VIT. - GEARBOX	83	50529	2	CORONA - COURONNE - CROWN
38	50142	1	PROTEZIONE - PROTECTION - GUARD	90	50602	1	MOTORE - MOTEUR - ENGINE
39	21139	6	RONDELLA - RONDELLE - WASHER	91	50103	1	CARTER (SX)
40	50885	1	CINGHIA - COURROIE - BELT	92	50104	1	CARTER (DX)
41	50690	2	RUOTA - ROUE - WHEEL	93	50094	1	LEVA GAS - LEVIER GAS - GAS LEVER
42	50097	4	BLOCCO - ARRET - LOCKING PLATE	95	50043	1	CEST.COMP. - FABRIC CATCHER - BAC EN TOILE (Verde - Green)
43	50035	1	ASSALE - AXE - AXLE		50825	1	CEST.COMP. - FABRIC CATCHER - BAC EN TOILE (Nero - Black)
44	50139	1	CARTER - CAPOT - HOUSING (Rosso - Red)	96	50646	4	VITE - VIS - SCREW
	50589	1	CARTER - CAPOT - HOUSING (Grigio - Gray)	97	50845	1	LAMA - LAME - BLADE (Mulching)
45	50755	1	TIRANTE - TIRAGE - STAY BAR	98	50891	1	CARTERINO - COUVERCLE - COVER
46	22798	1	VITE - VIS - SCREW	102	50640	6	VITE - VIS - SCREW
47	50036	1	PERNO - PIVOT - PIN	103	50700	2	RUOTA - ROUE - WHEEL
48	50643	1	SEGEER	104	20790	4	RONDELLA - RONDELLE - WASHER
49	50756	1	MOLLA - RESSORT - SPRING				

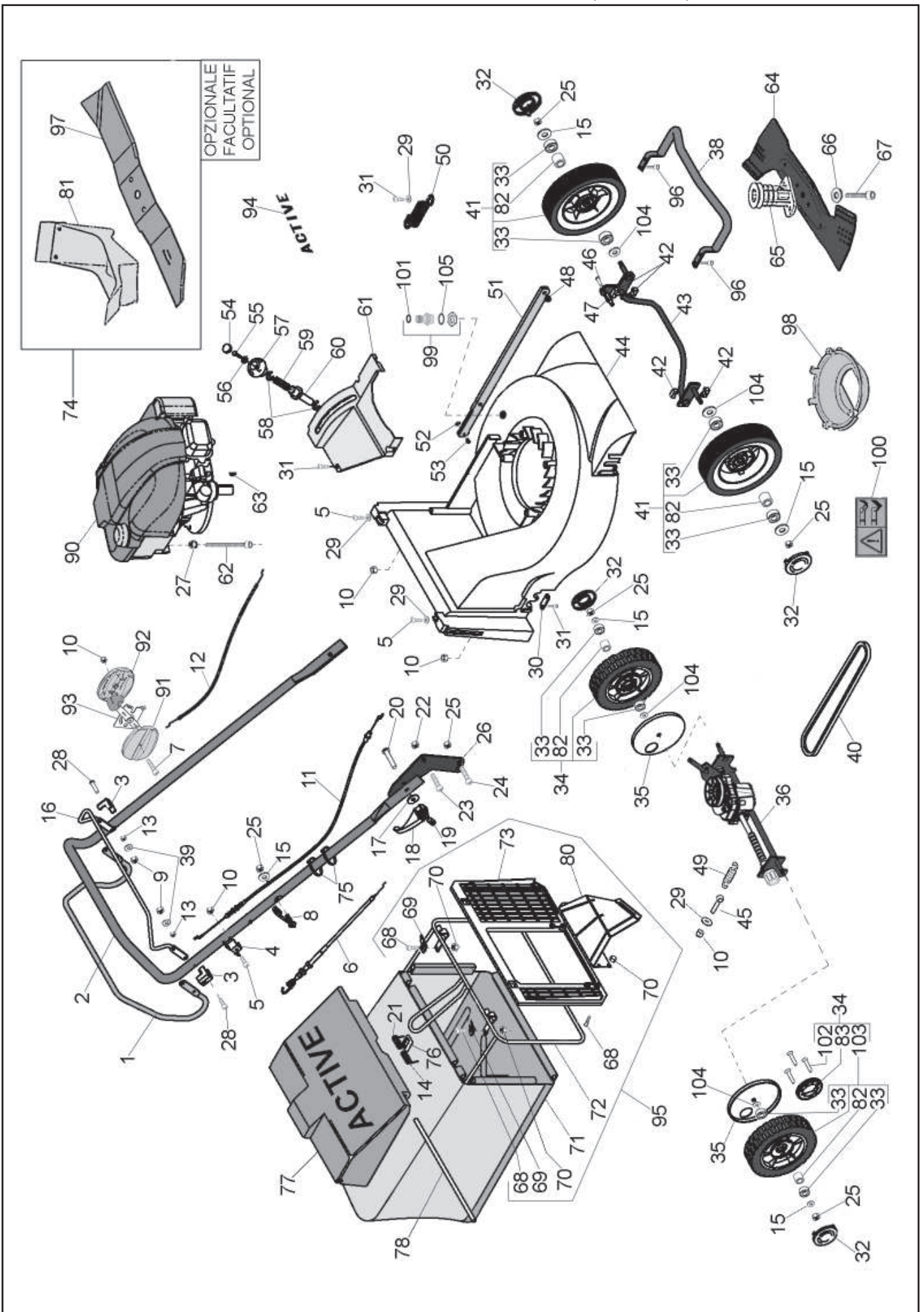
NOTE - NOTES



Valido dal N° di serie
A partir de N° de matricule suivant
From serial N°

50SB110001

Rasaerba - Tondeuses - Lawn mowers (5000 SB)



Rasaerba - Tondeuses - Lawn mowers (5000 SB)

RIF.	COD.	Q.	DESCRIZIONE - DESCRIPTION	RIF.	COD.	Q.	DESCRIZIONE - DESCRIPTION
REF.	N° / P P / N°			REF.	N° / P P / N°		
1	50214	1	MANIGLIA - POIGNEE - HANDLE	52	20087	1	SEGEER
2	50125	1	MANUBRIO - MANCHERON - UPPER HANDLE	53	50114	1	PERNO - PIVOT - PIN
3	50558	2	STAFFA - ETRIER - STIRRUP	54	50118	1	TAPPO - BOUCHON - PLUG
4	50206	1	STAFFA - PALIER - BRACKET	55	35803	1	VITE - VIS - SCREW
5	40092	3	VITE - VIS - SCREW	56	20316	1	RONDELLA - RONDELLE - WASHER
6	50368	1	CAVO - CABLE (Trazione - Traction)	57	50117	1	IMPUGNATURA - POIGNEE GUIDON - HANDLE
7	20190	1	VITE - VIS - SCREW	58	50674	2	SEGEER
8	50105	1	GUIDA ZONE START - MANCHERON - HANDLE	59	50309	1	MOLLA - RESSORT - SPRING
9	31216	2	DADO - ECROU - NUT	60	50116	1	BUSSOLA - ANNEAU - SPACER
10	20176	5	DADO - ECROU - NUT	61	50137	1	CARTERINO - COUVERCLE - COVER
11	50095	1	CAVO - CABLE (Freno - Brake)	62	40291	1	VITE - VIS - SCREW
12	50069	1	CAVO - CABLE (Gas)	62	50642	2	VITE - VIS - SCREW
13	20917	2	DADO - ECROU - NUT	63	50306	1	CHIAVETTA - CLAVETTE - KEY
14	50023	1	MOLLA - RESSORT - SPRING (DX)	64	50024	1	LAMA - LAME - BLADE (48 cm)
15	20711	5	RONDELLA - RONDELLE - WASHER	65	50608	1	MOZZO - MOYEUX - HUB (Ø25)
16	50211	1	MANIGLIA - POIGNEE - HANDLE	66	50538	1	RONDELLA - RONDELLE - WASHER
17	21686	2	RONDELLA - RONDELLE - WASHER	67	50641	1	VITE - VIS - SCREW
18	50127	2	LEVA - LEVIER - LEVER	68	20064	6	VITE - VIS - SCREW
19	50101	2	PERNO - PIVOT - PIN	69	50193	2	PIASTRA - PLAQUE - PLATE
20	50639	2	VITE - VIS - SCREW	70	20060	6	DADO - ECROU - NUT
21	50618	1	MOLLA - RESSORT - SPRING (SX)	71	50044	1	TELA - TOILE - CANVAS (Verde - Green)
22	20317	2	DADO - ECROU - NUT	71	50724	1	TELA - TOILE - CANVAS (Nera - Black)
23	40379	2	VITE - VIS - SCREW	72	50153	1	TELAIO - CHASSIS - FRAME
24	50757	2	VITE - VIS - SCREW	73	50032	1	RETE - GRILLE
25	20788	7	DADO - ECROU - NUT	74	50470	1	KIT MULCHING (OPTIONAL - FACULTATIF)
26	50123	2	PIASTRA - PLAQUE - PLATE	75	50314	2	FASCETTA - CLIP
27	50666	3	DADO - ECROU - NUT	76	50018	1	GOMMINO - CAOUTCHOUC - RUBBER
28	22045	2	VITE - VIS - SCREW	77	50031	1	DEFLETTORE - DEFLECTEUR - DEFLECTOR
29	40151	4	RONDELLA - RONDELLE - WASHER	78	50299	1	PERNO - PIVOT - PIN
30	50042	2	PIASTRA - PLAQUE - PLATE	80	50099	1	TEGOLO - PLAQUE - SPOON
31	50645	9	VITE - VIS - SCREW	81	50763	1	TAPPO MULCHING - FERMATURE - MULCHING PLUG
32	50020	4	COPRIMOZZO - COUVERCLE - WHEEL COVER	82	50544	4	DISTANZIALE - ENTRETOISE - SPACER
33	50667	8	CUSCINETTO - ROULEMENT - BEARING	83	50529	2	CORONA - COURONNE - CROWN
34	50692	2	KIT: RUOTA - ROUE - WHEEL	90	50602	1	MOTORE - MOTEUR - ENGINE
35	50174	2	PARAPOLVERE - PROTECTION - GUARD	91	50103	1	CARTER (SX)
36	50955	1	KIT: TRASMISSIONE - BOITE DE VIT. - GEARBOX	92	50104	1	CARTER (DX)
38	50142	1	PROTEZIONE - PROTECTION - GUARD	93	50094	1	LEVA GAS - LEVIER GAS - GAS LEVER
39	21139	2	RONDELLA - RONDELLE - WASHER	94	50762	1	ADESIVO <i>ACTIVE</i> - MARQUE - BRAND
40	50885	1	CINGHIA - COURROIE - BELT	95	50345	1	CEST.COMP. - FABRIC CATCHER - BAC EN TOILE (Verde - Green)
41	50690	2	RUOTA - ROUE - WHEEL	95	50346	1	CEST.COMP. - FABRIC CATCHER - BAC EN TOILE (Nero - Black)
42	50097	4	BLOCCO - ARRET - LOCKING PLATE	96	50646	4	VITE - VIS - SCREW
43	50035	1	ASSALE - AXE - AXLE	97	50845	1	LAMA - LAME - BLADE (Mulching)
44	50139	1	CARTER - CAPOT - HOUSING (Rosso - Red)	98	50891	1	CARTERINO - COUVERCLE - COVER
	50589	1	CARTER - CAPOT - HOUSING (Grigio - Gray)	99	50209	1	ATTACCO ACQUA - RACCORDEMENT à L'EAU - WATER CONNECTION
45	50755	1	TIRANTE - TIRAGE - STAY BAR	100	50909	1	ADESIVO - ADHESIF - ADHESIVE
46	22798	1	VITE - VIS - SCREW	101	23755	1	GOMMINO - CAOUTCHOUC - RUBBER
47	50036	1	PERNO - PIVOT - PIN	102	50640	6	VITE - VIS - SCREW
48	50643	1	SEGEER	103	50700	2	RUOTA - ROUE - WHEEL
49	50756	1	MOLLA - RESSORT - SPRING	104	20790	4	RONDELLA - RONDELLE - WASHER
50	50119	1	MOLLA - RESSORT - SPRING	105	23758	1	GOMMINO - CAOUTCHOUC - RUBBER
51	50037	1	ASTA - TIGE DE LIAISON - CONNECTION ROD				

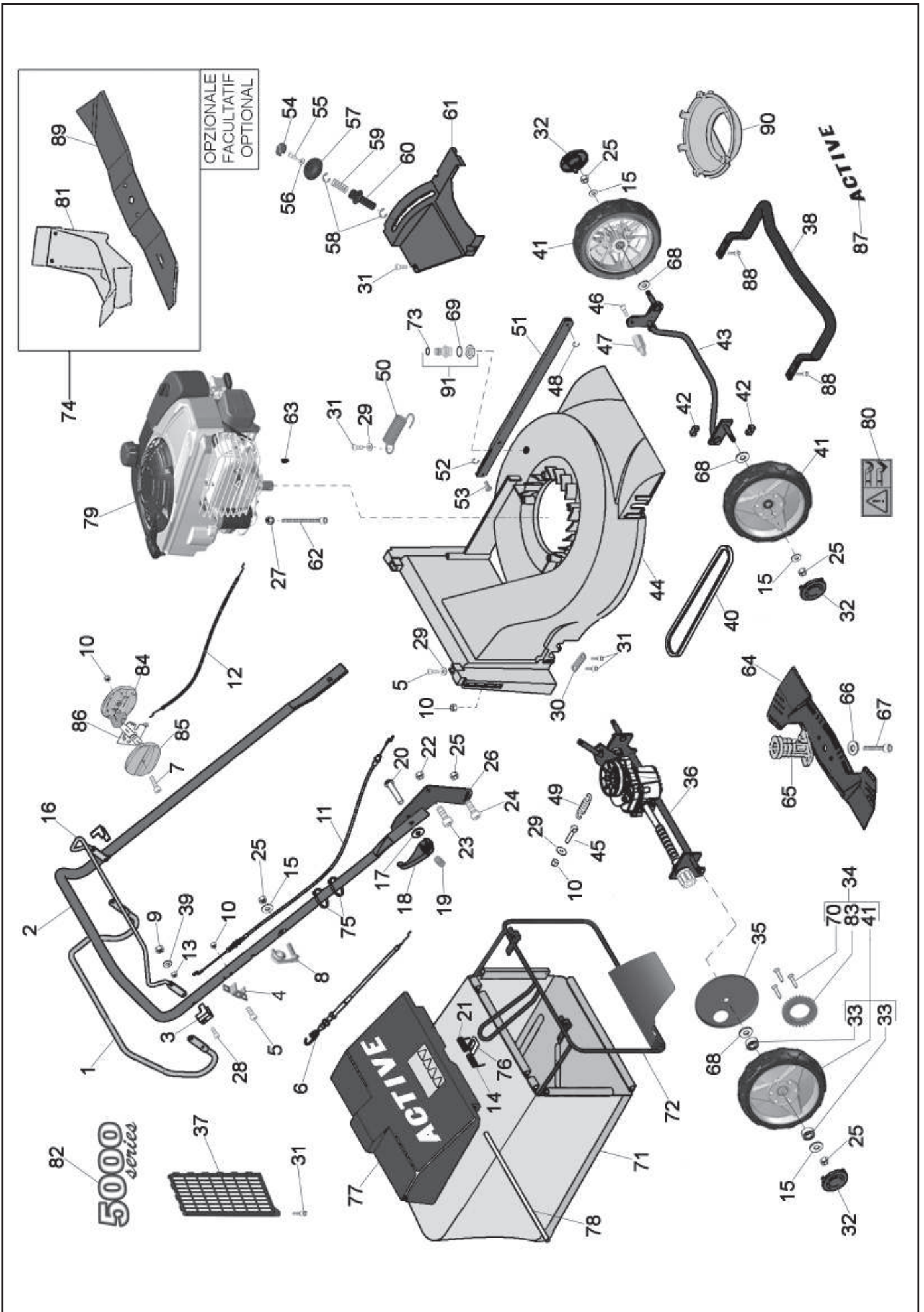
NOTE - NOTES



Valido dal N° di serie
A partir de N° de matricule suivant
From serial N°

— **50SB130001**

Rasaerba - Tondeuses - Lawn mowers (5000 SB)



Rasaerba - Tondeuses - Lawn mowers (5000 SB)

RIF.	COD.	Q.	DESCRIZIONE - DESCRIPTION	RIF.	COD.	Q.	DESCRIZIONE - DESCRIPTION
REF.	N° / P P / N°			REF.	N° / P P / N°		
1	50214	1	MANIGLIA - POIGNEE - HANDLE	47	50036	1	PERNO - PIVOT - PIN
2	50125	1	MANUBRIO - MANCHERON - UPPER HANDLE	48	50643	1	SEGEER
3	50558	2	STAFFA - ETRIER - STIRRUP	49	50756	1	MOLLA - RESSORT - SPRING
4	50206	1	STAFFA - PALIER - BRACKET	50	50119	1	MOLLA - RESSORT - SPRING
5	40092	3	VITE - VIS - SCREW	51	50037	1	ASTA - TIGE DE LIAISON - CONNECTION ROD
6	50368	1	CAVO - CABLE (Trazione - Traction)	52	20087	1	SEGEER
7	20190	1	VITE - VIS - SCREW	53	50114	1	PERNO - PIVOT - PIN
8	50105	1	GUIDA ZONE START - MANCHERON - HANDLE	54	50118	1	TAPPO - BOUCHON - PLUG
9	31216	2	DADO - ECROU - NUT	55	35803	1	VITE - VIS - SCREW
10	20176	5	DADO - ECROU - NUT	56	20316	1	RONDELLA - RONDELLE - WASHER
11	50095	1	CAVO - CABLE (Freno - Brake)	57	50117	1	IMPUGNATURA - POIGNEE GUIDON - HANDLE
12	50712	1	CAVO - CABLE (Gas)	58	50674	2	SEGEER
13	20917	2	DADO - ECROU - NUT	59	50309	1	MOLLA - RESSORT - SPRING
14	50023	1	MOLLA - RESSORT - SPRING (DX)	60	50116	1	BUSSOLA - ANNEAU - SPACER
15	20711	5	RONDELLA - RONDELLE - WASHER	61	50137	1	CARTERINO - COUVERCLE - COVER
16	50211	1	MANIGLIA - POIGNEE - HANDLE	62	40291	1	VITE - VIS - SCREW
17	21686	2	RONDELLA - RONDELLE - WASHER	62	50642	2	VITE - VIS - SCREW
18	50127	2	LEVA - LEVIER - LEVER	63	50306	1	CHIAVETTA - CLAVETTE - KEY
19	50101	2	PERNO - PIVOT - PIN	64	50024	1	LAMA - LAME - BLADE (48 cm)
20	50639	2	VITE - VIS - SCREW	65	50608	1	MOZZO - MOYEUX - HUB (Ø25)
21	50618	1	MOLLA - RESSORT - SPRING (SX)	66	50538	1	RONDELLA - RONDELLE - WASHER
22	20317	2	DADO - ECROU - NUT	67	50641	1	VITE - VIS - SCREW
23	40379	2	VITE - VIS - SCREW	68	20790	4	RONDELLA - RONDELLE - WASHER
24	50757	2	VITE - VIS - SCREW	69	23758	1	GOMMINO - CAOUTCHOUC - RUBBER
25	20788	7	DADO - ECROU - NUT	70	50640	6	VITE - VIS - SCREW
26	50123	2	PIASTRA - PLAQUE - PLATE	71	50477	1	TELA - TOILE - CANVAS (Verde - Green)
27	50666	3	DADO - ECROU - NUT	71	50480	1	TELA - TOILE - CANVAS (Nera - Black)
28	22045	2	VITE - VIS - SCREW	72	50132	1	TELAIO - CHASSIS - FRAME
29	40151	4	RONDELLA - RONDELLE - WASHER	73	23755	1	GOMMINO - CAOUTCHOUC - RUBBER
30	50042	2	PIASTRA - PLAQUE - PLATE	74	50470	1	KIT MULCHING (OPTIONAL - FACULTATIF)
31	50645	9	VITE - VIS - SCREW	75	50314	2	FASCETTA - CLIP
32	50020	4	COPRIMOZZO - COUVERCLE - WHEEL COVER	76	50018	1	GOMMINO - CAOUTCHOUC - RUBBER
33	50155	8	CUSCINETTO - ROULEMENT - BEARING	77	50031	1	DEFLETTORE - DEFLECTEUR - DEFLECTOR
34	50358	2	KIT : RUOTA - ROUE - WHEEL	78	50299	1	PERNO - PIVOT - PIN
35	50174	2	PARAPOLVERE - PROTECTION - GUARD	79	50347	1	MOTORE - MOTEUR - ENGINE
36	50955	1	KIT : TRASMISSIONE - BOITE DE VIT. - GEARBOX	80	50909	1	ADESIVO - ADHESIF - ADHESIVE
37	50121	1	RETE - GRILLE	81	50763	1	TAPPO MULCHING - FERMATURE - MULCHING PLUG
38	50142	1	PROTEZIONE - PROTECTION - GUARD	82	50600	1	ADESIVO - ADHESIF - ADHESIVE
39	21139	2	RONDELLA - RONDELLE - WASHER	83	50529	2	CORONA - COURONNE - CROWN
40	50885	1	CINGHIA - COURROIE - BELT	84	50545	1	CARTER (SX)
41	50357	2	RUOTA - ROUE - WHEEL	85	50104	1	CARTER (DX)
42	50097	4	BLOCCO - ARRET - LOCKING PLATE	86	50094	1	LEVA GAS - LEVIER GAS - GAS LEVER
43	50035	1	ASSALE - AXE - AXLE	87	50762	1	ADESIVO <i>ACTIVE</i> - MARQUE - BRAND
44	50139	1	CARTER - CAPOT - HOUSING (Rosso - Red)	88	50646	4	VITE - VIS - SCREW
	50589	1	CARTER - CAPOT - HOUSING (Grigio - Gray)	89	50845	1	LAMA - LAME - BLADE (Mulching)
45	50755	1	TIRANTE - TIRAGE - STAY BAR	90	50891	1	CARTERINO - COUVERCLE - COVER
46	22798	1	VITE - VIS - SCREW	91	50209	1	ATTACCO ACQUA - RACCORDEMENT à L'EAU - WATER CONNECTION

NOTE - NOTES

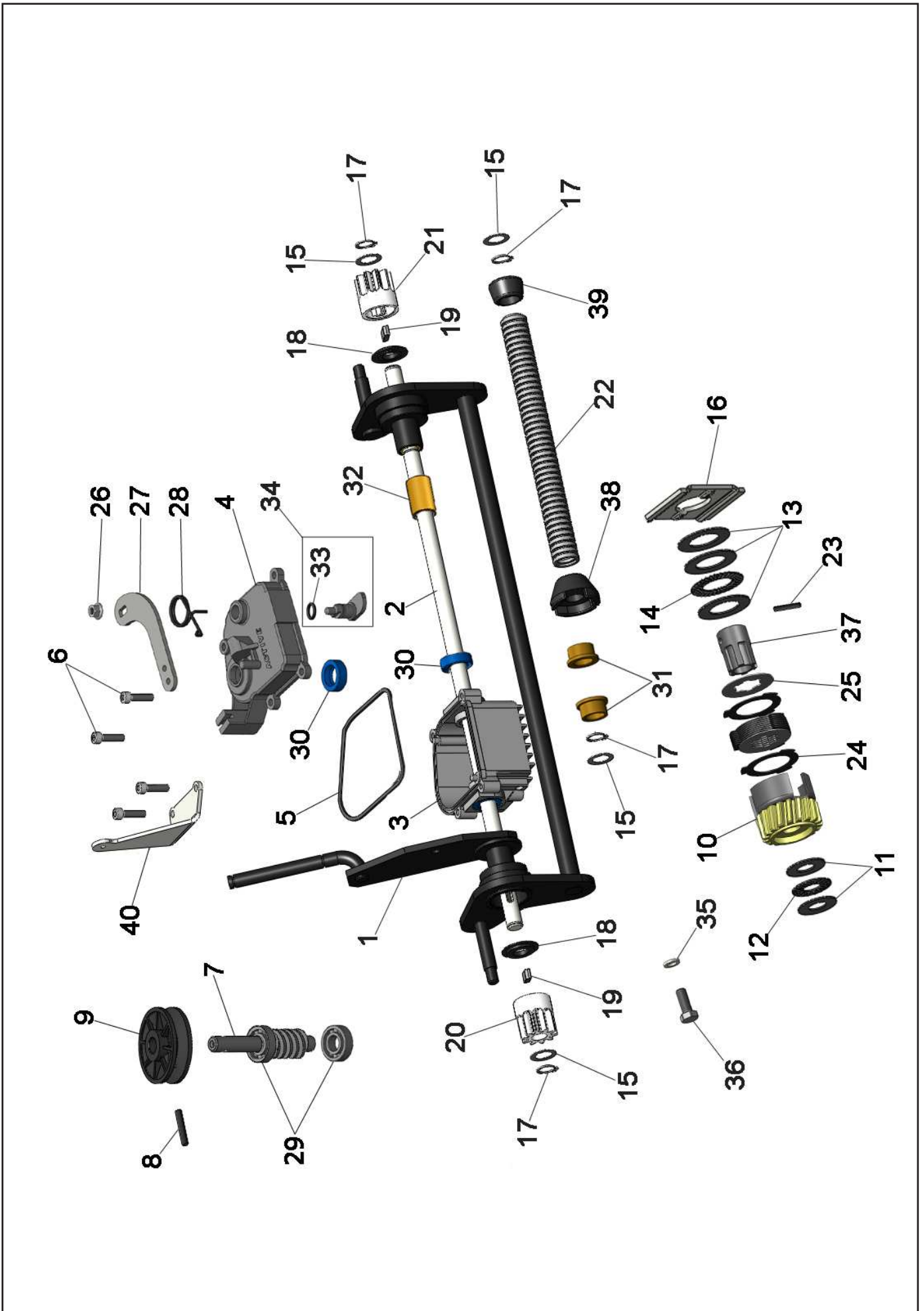


Valido dal N° di serie

A partir de N° de matricule suivant
From serial N°

50SB140001

50955 Trasmissione - Transmission - Transmission

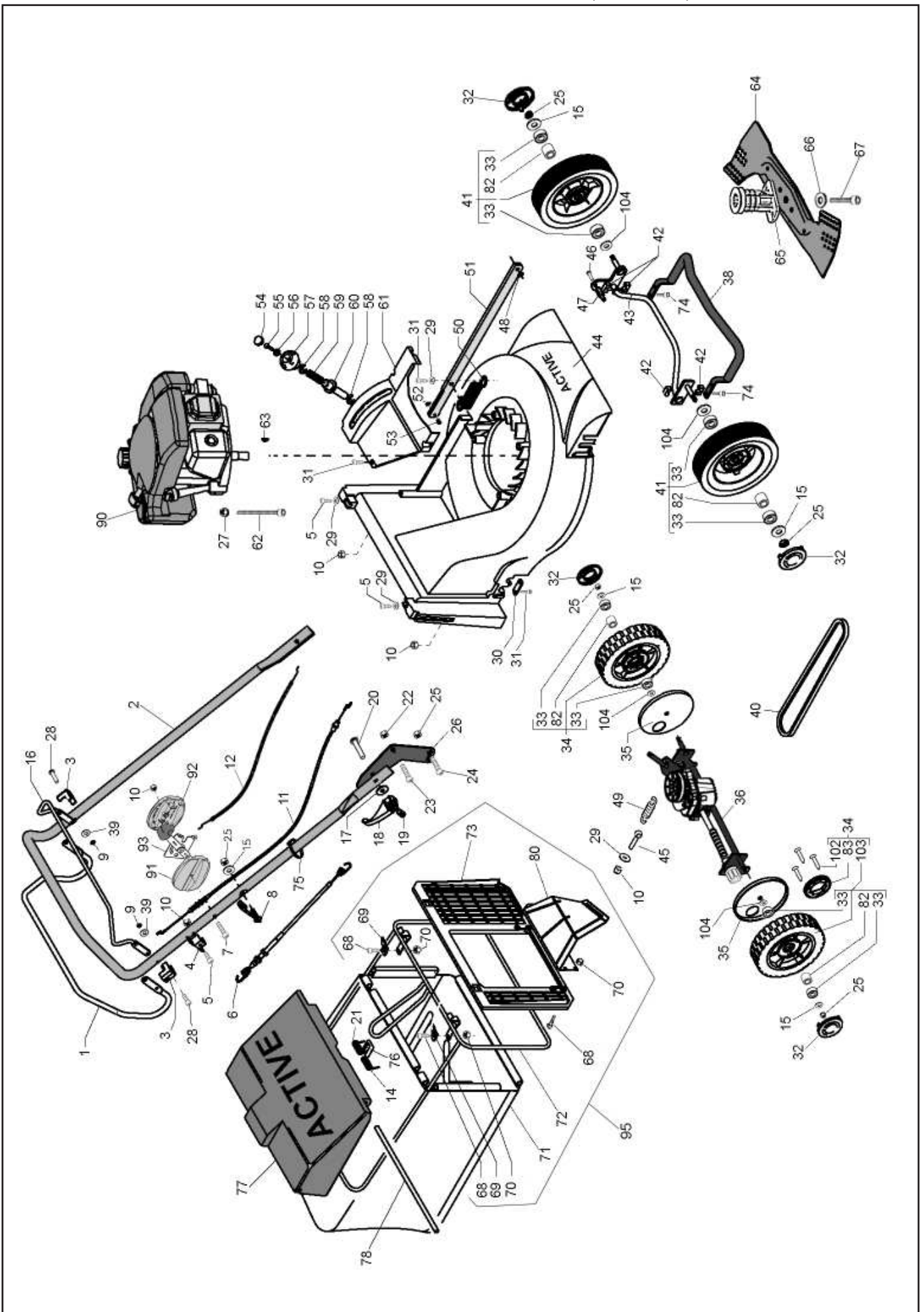


50955 Trasmissione - Transmission - Transmission

RIF. REF.	COD. N° / P P / N°	Q.	DESCRIZIONE - DESCRIPTION	RIF. REF.	COD. N° / P P / N°	Q.	DESCRIZIONE - DESCRIPTION
1	50120	1	ASSALE - AXE - AXLE	21	50528	1	PIGNONE - PIGNON - PINION (DX)
2	50647	1	ALBERO - ARBRE - SHAFT	22	50109	1	PROTEZIONE - PROTECTION - GUARD
3	50606	1	SCATOLA - BOITE - BOX	23	50295	1	SPINA ELAST. - GOUPILLES - ELAST.PIN
4	50229	1	COPERCHIO - COUVERTURE - COVER	24	50706	10	DISCO - DISK
5	50321	1	GUARNIZIONE - JOINT - GASKET	25	50707	10	DISCO - DISK
6	20001	4	VITE - VIS - SCREW	26	50519	1	DADO - ECROU - NUT
7	50524	1	VITE S.F. - VIS - SCREW	27	50255	1	LEVA - LEVIER - LEVER
8	50881	1	SPINA ELAST. - GOUPILLES - ELAST.PIN	28	50310	1	MOLLA - RESSORT - SPRING
9	50106	1	PULEGGIA - PUOLIE - PULLEY (Ø57)	29	22511	2	CUSCINETTO - ROULEMENT - BEARING
10	50281	1	ASSIEME CAMPANA - TAMBOUR - DRUM	30	50320	3	ANELLO DI TENUTA - JOINT - SEAL
11	50303	1	RONDELLA - RONDELLE - WASHER	31	50540	2	BUSSOLA - ENTRETOISE - SPACER
12	50521	1	CUSCINETTO - ROULEMENT - BEARING	32	50541	2	BUSSOLA - ENTRETOISE - SPACER
13	50261	3	RONDELLA - RONDELLE - WASHER	33	20324	1	O-RING
14	50522	1	CUSCINETTO - ROULEMENT - BEARING	34	50179	1	LEVA - LEVIER - LEVER
15	50678	4	RASAMENTO - RONDELLE - WASHER SHIMS	35	50772	1	RONDELLA - RONDELLE - WASHER
16	50546	1	LEVA - LEVIER - LEVER	36	50771	1	VITE - VIS - SCREW
17	20218	4	SEEGER	37	50284	1	BUSSOLA - ENTRETOISE - SPACER
18	50186	2	PROTEZIONE - PROTECTION - GUARD	38	50342	1	BUSSOLA - ENTRETOISE - SPACER
19	50188	2	CHIAVETTA - CLAVETTE - KEY	39	50341	1	BUSSOLA - ENTRETOISE - SPACER
20	50527	1	PIGNONE - PIGNON - PINION (SX)	40	50738	1	STAFFA - PALIER - BRACKET

NOTE - NOTES

Rasaerba - Tondeuses - Lawn mowers (5000 SH)



Rasaerba - Tondeuses - Lawn mowers (5000 SH)

RIF.	COD.	Q.	DESCRIZIONE - DESCRIPTION	RIF.	COD.	Q.	DESCRIZIONE - DESCRIPTION
REF.	N° / P P / N°			REF.	N° / P P / N°		
1	50214	1	MANIGLIA - POIGNEE - HANDLE	47	50036	1	PERNO - PIVOT - PIN
2	50125	1	MANUBRIO - MANCHERON - UPPER HANDLE	48	50643	1	SEGEER
3	50558	2	STAFFA - ETRIER - STIRRUP	49	50756	1	MOLLA - RESSORT - SPRING
4	50206	1	STAFFA - PALIER - BRACKET	50	50119	1	MOLLA - RESSORT - SPRING
5	40092	3	VITE - VIS - SCREW	51	50037	1	ASTA - TIGE DE LIAISON - CONNECTION ROD
6	50368	1	CAVO - CABLE (Trazione - Traction)	52	20087	1	SEGEER
7	20190	1	VITE - VIS - SCREW	53	50114	1	PERNO - PIVOT - PIN
8	50105	1	GUIDA ZONE START - MANCHERON - HANDLE	54	50118	1	TAPPO - BOUCHON - PLUG
9	31216	2	DADO - ECROU - NUT	55	35803	1	VITE - VIS - SCREW
10	20176	5	DADO - ECROU - NUT	56	20316	1	RONDELLA - RONDELLE - WASHER
11	50095	1	CAVO - CABLE (Freno - Brake)	57	50117	1	IMPUGNATURA - POIGNEE GUIDON - HANDLE
12	50069	1	CAVO - CABLE (Gas)	58	50674	2	SEGEER
14	50023	1	MOLLA - RESSORT - SPRING (DX)	59	50309	1	MOLLA - RESSORT - SPRING
15	20711	5	RONDELLA - RONDELLE - WASHER	60	50116	1	BUSSOLA - ANNEAU - SPACER
16	50211	1	MANIGLIA - POIGNEE - HANDLE	61	50137	1	CARTERINO - COUVERCLE - COVER
17	21686	2	RONDELLA - RONDELLE - WASHER	62	50642	4	VITE - VIS - SCREW
18	50127	2	LEVA - LEVIER - LEVER	63	50306	1	CHIAVETTA - CLAVETTE - KEY
19	50101	2	PERNO - PIVOT - PIN	64	50024	1	LAMA - LAME - BLADE (48 cm)
20	50639	2	VITE - VIS - SCREW	65	50608	1	MOZZO - MOYEUX - HUB (Ø25)
21	50618	1	MOLLA - RESSORT - SPRING (SX)	66	50538	1	RONDELLA - RONDELLE - WASHER
22	20317	2	DADO - ECROU - NUT	67	50641	1	VITE - VIS - SCREW
23	40379	2	VITE - VIS - SCREW	68	20064	6	VITE - VIS - SCREW
24	50757	2	VITE - VIS - SCREW	69	50193	2	PIASTRA - PLAQUE - PLATE
25	20788	6	DADO - ECROU - NUT	70	20060	6	DADO - ECROU - NUT
26	50123	2	PIASTRA - PLAQUE - PLATE	71	50044	1	TELA - TOILE - CANVAS (Verde - Green)
27	50666	4	DADO - ECROU - NUT	71	50724	1	TELA - TOILE - CANVAS (Nera - Black)
28	50830	2	VITE - VIS - SCREW	72	50034	1	TELAIO - CHASSIS - FRAME
29	40151	4	RONDELLA - RONDELLE - WASHER	73	50032	1	RETE - GRILLE
30	50042	2	PIASTRA - PLAQUE - PLATE	74	50646	4	VITE - VIS - SCREW
31	50645	9	VITE - VIS - SCREW	75	50314	2	FASCETTA - CLIP
32	50020	4	COPRIMOZZO - COUVERCLE - WHEEL COVER	76	50018	1	IMPUGNATURA - POIGNEE GUIDON - HANDLE
33	50667	8	CUSCINETTO - ROULEMENT - BEARING	77	50031	1	DEFLETTORE - DEFLECTEUR - DEFLECTOR
34	50692	2	KIT : RUOTA - ROUE - WHEEL	78	50299	1	PERNO - PIVOT - PIN
35	50174	2	PARAPOLVERE - PROTECTION - GUARD	80	50099	1	TEGOLO - PLAQUE - SPOON
36	50003	1	KIT : TRASMISSIONE - BOITE DE VIT. - GEARBOX	82	50544	4	DISTANZIALE - ENTRETOISE - SPACER
38	50142	1	PROTEZIONE - PROTECTION - GUARD	83	50529	2	CORONA - COURONNE - CROWN
39	21139	6	RONDELLA - RONDELLE - WASHER	90	50604	1	MOTORE - MOTEUR - ENGINE
40	50323	1	CINGHIA - COURROIE - BELT	91	50103	1	CARTER (SX)
41	50690	2	RUOTA - ROUE - WHEEL	92	50104	1	CARTER (DX)
42	50097	4	BLOCCO - ARRET - LOCKING PLATE	93	50094	1	LEVA GAS - LEVIER GAS - GAS LEVER
43	50035	1	ASSALE - AXE - AXLE	95	50043	1	CEST. COMP. - FABRIC CATCHER - BAC EN TOILE (Verde - Green)
44	50139	1	CARTER - CAPOT - HOUSING (Rosso - Red)	95	50825	1	CEST. COMP. - FABRIC CATCHER - BAC EN TOILE (Nero - Black)
	50589	1	CARTER - CAPOT - HOUSING (Grigio - Gray)	102	50640	6	VITE - VIS - SCREW
45	50755	1	TIRANTE - TIRAGE - STAY BAR	103	50700	2	RUOTA - ROUE - WHEEL
46	22798	1	VITE - VIS - SCREW	104	20790	4	RONDELLA - RONDELLE - WASHER

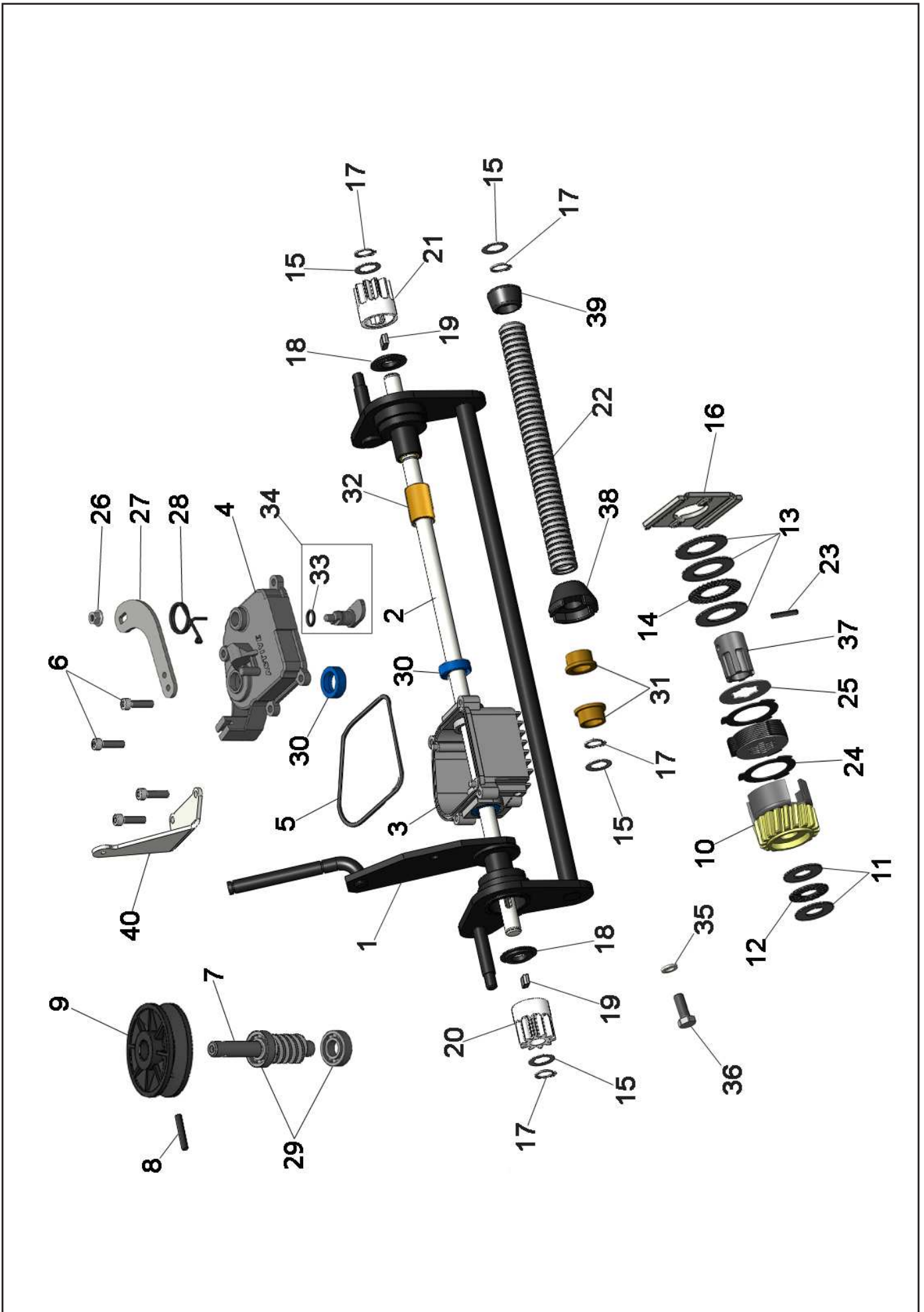
NOTE - NOTES



Valido dal N° di serie
A partir de N° de matricule suivant
From serial N°

50SH100001

50003 Trasmissione - Transmission - Transmission

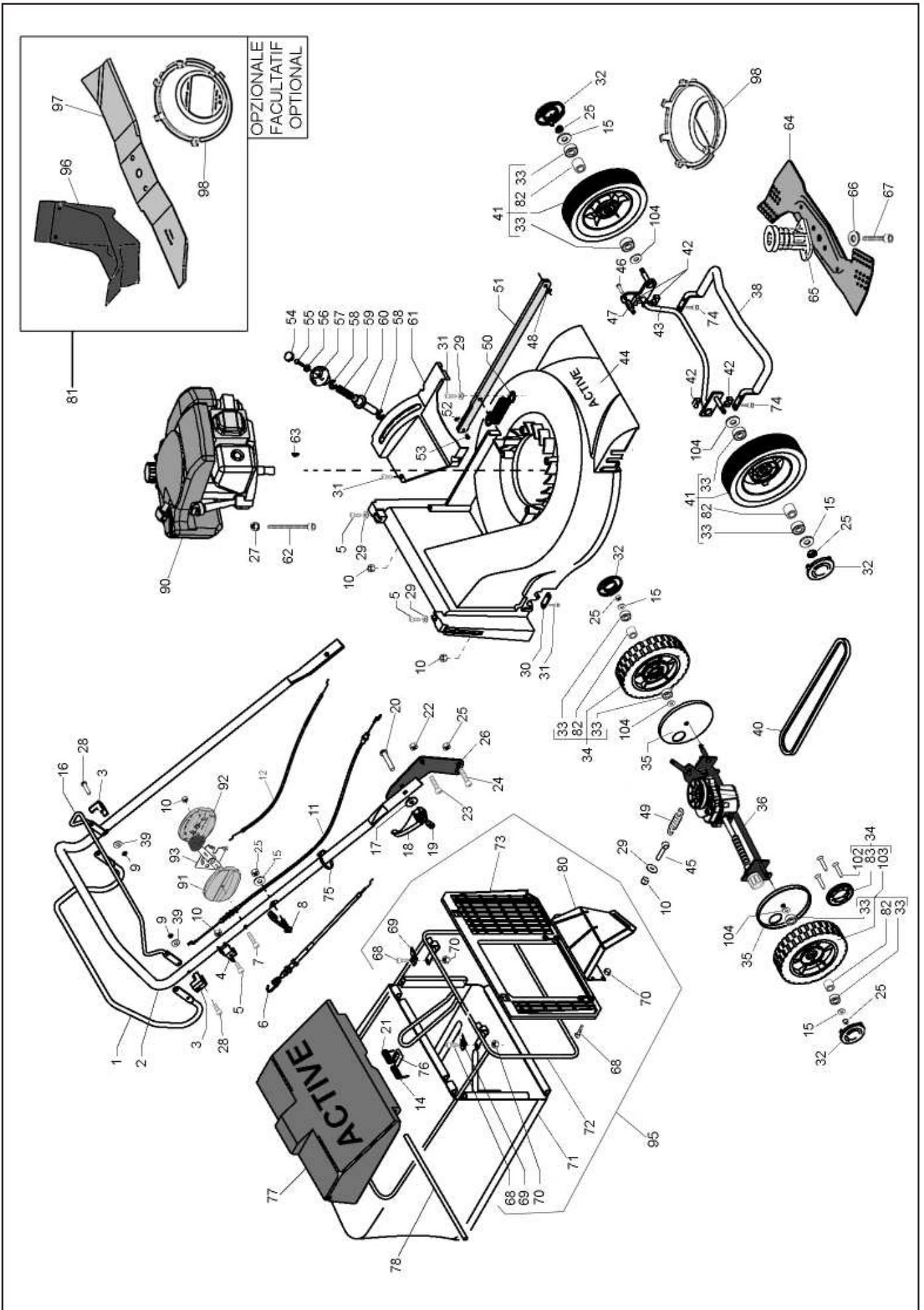


50003 Trasmissione - Transmission - Transmission

RIF. REF.	COD. N° / P P / N°	Q.	DESCRIZIONE - DESCRIPTION	RIF. REF.	COD. N° / P P / N°	Q.	DESCRIZIONE - DESCRIPTION
1	50120	1	ASSALE - AXE - AXLE	21	50528	1	PIGNONE - PIGNON - PINION (DX)
2	50647	1	ALBERO - ARBRE - SHAFT	22	50109	1	PROTEZIONE - PROTECTION - GUARD
3	50606	1	SCATOLA - BOITE - BOX	23	50295	1	SPINA ELAST. - GOUPILLES - ELAST.PIN
4	50229	1	COPERCHIO - COUVERTURE - COVER	24	50706	10	DISCO - DISK
5	50321	1	GUARNIZIONE - JOINT - GASKET	25	50707	10	DISCO - DISK
6	20001	4	VITE - VIS - SCREW	26	50519	1	DADO - ECROU - NUT
7	50524	1	VITE S.F. - VIS - SCREW	27	50255	1	LEVA - LEVIER - LEVER
8	50298	1	SPINA ELAST. - GOUPILLES - ELAST.PIN	28	50310	1	MOLLA - RESSORT - SPRING
9	50216	1	PULEGGIA - PUOLIE - PULLEY (Ø71)	29	22511	2	CUSCINETTO - ROULEMENT - BEARING
10	50281	1	ASSIEME CAMPANA - TAMBOUR - DRUM	30	50320	3	ANELLO DI TENUTA - JOINT - SEAL
11	50303	1	RONDELLA - RONDELLE - WASHER	31	50540	2	BUSSOLA - ENTRETOISE - SPACER
12	50521	1	CUSCINETTO - ROULEMENT - BEARING	32	50541	2	BUSSOLA - ENTRETOISE - SPACER
13	50261	3	RONDELLA - RONDELLE - WASHER	33	20324	1	O-RING
14	50522	1	CUSCINETTO - ROULEMENT - BEARING	34	50179	1	LEVA - LEVIER - LEVER
15	50678	4	RASAMENTO - RONDELLE - WASHER SHIMS	35	50772	1	RONDELLA - RONDELLE - WASHER
16	50546	1	LEVA - LEVIER - LEVER	36	50771	1	VITE - VIS - SCREW
17	20218	4	SEEGER	37	50284	1	BUSSOLA - ENTRETOISE - SPACER
18	50186	2	PROTEZIONE - PROTECTION - GUARD	38	50342	1	BUSSOLA - ENTRETOISE - SPACER
19	50188	2	CHIAVETTA - CLAVETTE - KEY	39	50341	1	BUSSOLA - ENTRETOISE - SPACER
20	50527	1	PIGNONE - PIGNON - PINION (SX)	40	50738	1	STAFFA - PALIER - BRACKET

NOTE - NOTES

Rasaerba - Tondeuses - Lawn mowers (5000 SH)



Rasaerba - Tondeuses - Lawn mowers (5000 SH)

RIF.	COD.	Q.	DESCRIZIONE - DESCRIPTION	RIF.	COD.	Q.	DESCRIZIONE - DESCRIPTION
REF.	N° / P P / N°			REF.	N° / P P / N°		
1	50214	1	MANIGLIA - POIGNEE - HANDLE	49	50756	1	MOLLA - RESSORT - SPRING
2	50125	1	MANUBRIO - MANCHERON - UPPER HANDLE	50	50119	1	MOLLA - RESSORT - SPRING
3	50558	2	STAFFA - ETRIER - STIRRUP	51	50037	1	ASTA - TIGE DE LIAISON - CONNECTION ROD
4	50206	1	STAFFA - PALIER - BRACKET	52	20087	1	SEGEER
5	40092	3	VITE - VIS - SCREW	53	50114	1	PERNO - PIVOT - PIN
6	50368	1	CAVO - CABLE (Trazione - Traction)	54	50118	1	TAPPO - BOUCHON - PLUG
7	20190	1	VITE - VIS - SCREW	55	35803	1	VITE - VIS - SCREW
8	50105	1	GUIDA ZONE START - MANCHERON - HANDLE	56	20316	1	RONDELLA - RONDELLE - WASHER
9	31216	2	DADO - ECROU - NUT	57	50117	1	IMPUGNATURA - POIGNEE GUIDON - HANDLE
10	20176	5	DADO - ECROU - NUT	58	50674	2	SEGEER
11	50095	1	CAVO - CABLE (Freno - Brake)	59	50309	1	MOLLA - RESSORT - SPRING
12	50069	1	CAVO - CABLE (Gas)	60	50116	1	BUSSOLA - ANNEAU - SPACER
14	50023	1	MOLLA - RESSORT - SPRING (DX)	61	50137	1	CARTERINO - COUVERCLE - COVER
15	20711	5	RONDELLA - RONDELLE - WASHER	62	50642	4	VITE - VIS - SCREW
16	50211	1	MANIGLIA - POIGNEE - HANDLE	63	50306	1	CHIAVETTA - CLAVETTE - KEY
17	21686	2	RONDELLA - RONDELLE - WASHER	64	50024	1	LAMA - LAME - BLADE (48 cm)
18	50127	2	LEVA - LEVIER - LEVER	65	50608	1	MOZZO - MOYEUX - HUB (Ø25)
19	50101	2	PERNO - PIVOT - PIN	66	50538	1	RONDELLA - RONDELLE - WASHER
20	50639	2	VITE - VIS - SCREW	67	50641	1	VITE - VIS - SCREW
21	50618	1	MOLLA - RESSORT - SPRING (SX)	68	20064	6	VITE - VIS - SCREW
22	20317	2	DADO - ECROU - NUT	69	50193	2	PIASTRA - PLAQUE - PLATE
23	40379	2	VITE - VIS - SCREW	70	20060	6	DADO - ECROU - NUT
24	50757	2	VITE - VIS - SCREW	71	50044	1	TELA - TOILE - CANVAS (Verde - Green)
25	20788	6	DADO - ECROU - NUT	71	50724	1	TELA - TOILE - CANVAS (Nera - Black)
26	50123	2	PIASTRA - PLAQUE - PLATE	72	50034	1	TELAIO - CHASSIS - FRAME
27	50666	4	DADO - ECROU - NUT	73	50032	1	RETE - GRILLE
28	50830	2	VITE - VIS - SCREW	74	50646	4	VITE - VIS - SCREW
29	40151	4	RONDELLA - RONDELLE - WASHER	75	50314	2	FASCETTA - CLIP
30	50042	2	PIASTRA - PLAQUE - PLATE	76	50018	1	IMPUGNATURA - POIGNEE GUIDON - HANDLE
31	50645	9	VITE - VIS - SCREW	77	50031	1	DEFLETTORE - DEFLECTEUR - DEFLECTOR
32	50020	4	COPRIMOZZO - COUVERCLE - WHEEL COVER	78	50299	1	PERNO - PIVOT - PIN
33	50667	8	CUSCINETTO - ROULEMENT - BEARING	80	50099	1	TEGOLO - PLAQUE - SPOON
34	50692	2	KIT : RUOTA - ROUE - WHEEL	81	50905	1	KIT MULCHING (OPTIONAL - FACULTATIF)
35	50174	2	PARAPOLVERE - PROTECTION - GUARD	82	50544	4	DISTANZIALE - ENTRETOISE - SPACER
36	50955	1	KIT : TRASMISSIONE - BOITE DE VIT. - GEARBOX	83	50529	2	CORONA - COURONNE - CROWN
38	50142	1	PROTEZIONE - PROTECTION - GUARD	90	50604	1	MOTORE - MOTEUR - ENGINE
39	21139	6	RONDELLA - RONDELLE - WASHER	91	50103	1	CARTER (SX)
40	50885	1	CINGHIA - COURROIE - BELT	92	50104	1	CARTER (DX)
41	50690	2	RUOTA - ROUE - WHEEL	93	50094	1	LEVA GAS - LEVIER GAS - GAS LEVER
42	50097	4	BLOCCO - ARRET - LOCKING PLATE	95	50043	1	CEST. COMP. - FABRIC CATCHER - BAC EN TOILE (Verde - Green)
43	50035	1	ASSALE - AXE - AXLE	95	50825	1	CEST. COMP. - FABRIC CATCHER - BAC EN TOILE (Nero - Black)
44	50139	1	CARTER - CAPOT - HOUSING (Rosso - Red)	96	50763	1	TAPPO MULCHING - FERMATURE - MULCHING PLUG
	50589	1	CARTER - CAPOT - HOUSING (Grigio - Gray)	97	50845	1	LAMA - LAME - BLADE (Mulching)
45	50755	1	TIRANTE - TIRAGE - STAY BAR	98	50891	1	CARTERINO - COUVERCLE - COVER
46	22798	1	VITE - VIS - SCREW	102	50640	6	VITE - VIS - SCREW
47	50036	1	PERNO - PIVOT - PIN	103	50700	2	RUOTA - ROUE - WHEEL
48	50643	1	SEGEER	104	20790	4	RONDELLA - RONDELLE - WASHER

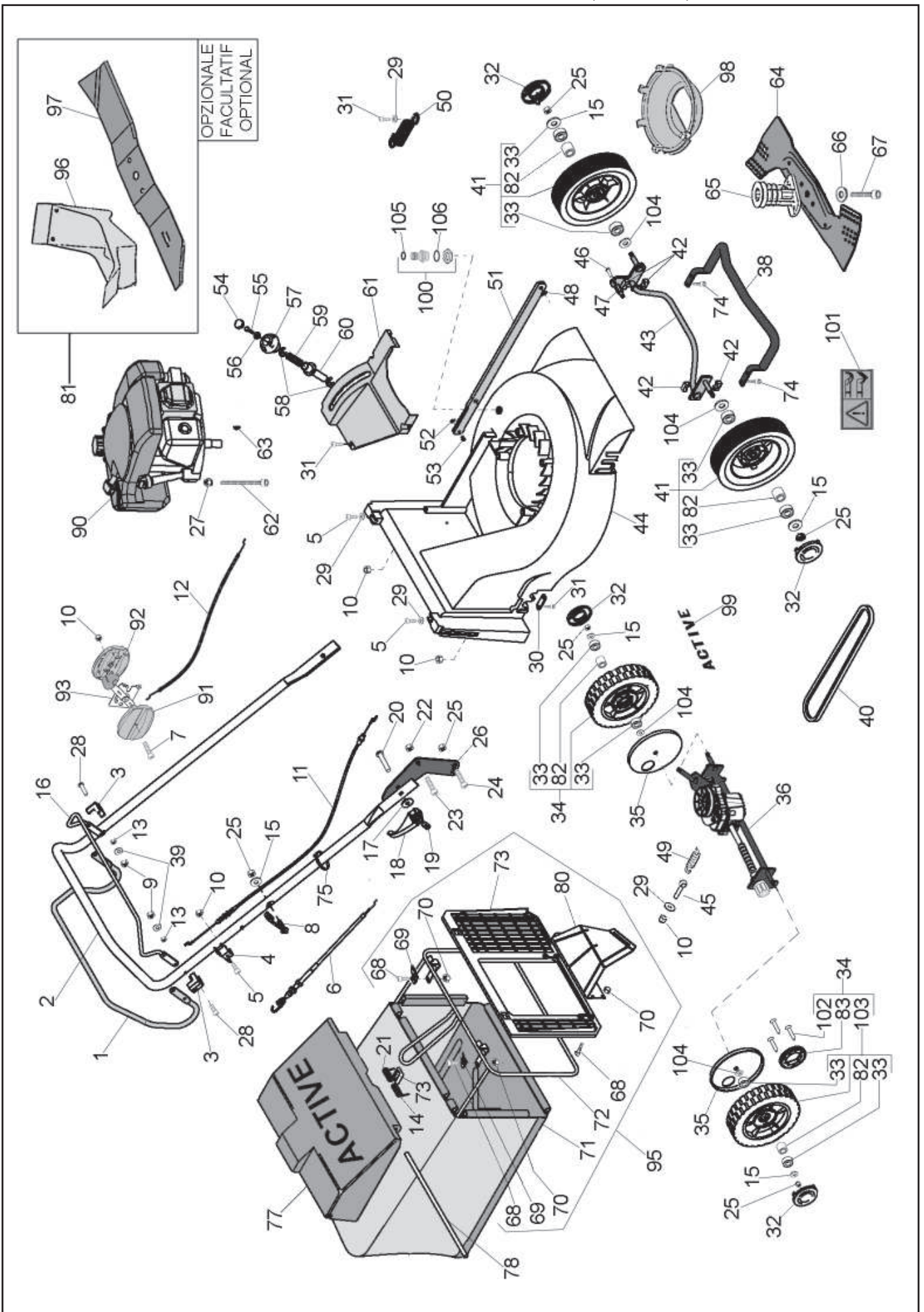
NOTE - NOTES



Valido dal N° di serie
A partir de N° de matricule suivant
From serial N°

50SH110001

Rasaerba - Tondeuses - Lawn mowers (5000 SH)



Rasaerba - Tondeuses - Lawn mowers (5000 SH)

RIF.	COD.	Q.	DESCRIZIONE - DESCRIPTION	RIF.	COD.	Q.	DESCRIZIONE - DESCRIPTION
REF.	N° / P P / N°			REF.	N° / P P / N°		
1	50214	1	MANIGLIA - POIGNEE - HANDLE	52	20087	1	SEGEER
2	50125	1	MANUBRIO - MANCHERON - UPPER HANDLE	53	50114	1	PERNO - PIVOT - PIN
3	50558	2	STAFFA - ETRIER - STIRRUP	54	50118	1	TAPPO - BOUCHON - PLUG
4	50206	1	STAFFA - PALIER - BRACKET	55	35803	1	VITE - VIS - SCREW
5	40092	3	VITE - VIS - SCREW	56	20316	1	RONDELLA - RONDELLE - WASHER
6	50368	1	CAVO - CABLE (Trazione - Traction)	57	50117	1	IMPUGNATURA - POIGNEE GUIDON - HANDLE
7	20190	1	VITE - VIS - SCREW	58	50674	2	SEGEER
8	50105	1	GUIDA ZONE START - MANCHERON - HANDLE	59	50309	1	MOLLA - RESSORT - SPRING
9	31216	2	DADO - ECROU - NUT	60	50116	1	BUSSOLA - ANNEAU - SPACER
10	20176	5	DADO - ECROU - NUT	61	50137	1	CARTERINO - COUVERCLE - COVER
11	50095	1	CAVO - CABLE (Freno - Brake)	62	50642	4	VITE - VIS - SCREW
12	50069	1	CAVO - CABLE (Gas)	63	50306	1	CHIAVETTA - CLAVETTE - KEY
13	20917	2	DADO - ECROU - NUT	64	50024	1	LAMA - LAME - BLADE (48 cm)
14	50023	1	MOLLA - RESSORT - SPRING (DX)	65	50608	1	MOZZO - MOYEUX - HUB (Ø25)
15	20711	5	RONDELLA - RONDELLE - WASHER	66	50538	1	RONDELLA - RONDELLE - WASHER
16	50211	1	MANIGLIA - POIGNEE - HANDLE	67	50641	1	VITE - VIS - SCREW
17	21686	2	RONDELLA - RONDELLE - WASHER	68	20064	6	VITE - VIS - SCREW
18	50127	2	LEVA - LEVIER - LEVER	69	50193	2	PIASTRA - PLAQUE - PLATE
19	50101	2	PERNO - PIVOT - PIN	70	20060	6	DADO - ECROU - NUT
20	50639	2	VITE - VIS - SCREW	71	50044	1	TELA - TOILE - CANVAS (Verde - Green)
21	50618	1	MOLLA - RESSORT - SPRING (SX)	71	50724	1	TELA - TOILE - CANVAS (Nera - Black)
22	20317	2	DADO - ECROU - NUT	72	50153	1	TELAIO - CHASSIS - FRAME
23	40379	2	VITE - VIS - SCREW	73	50032	1	RETE - GRILLE
24	50757	2	VITE - VIS - SCREW	74	50646	4	VITE - VIS - SCREW
25	20788	7	DADO - ECROU - NUT	75	50314	2	FASCETTA - CLIP
26	50123	2	PIASTRA - PLAQUE - PLATE	76	50018	1	GOMMINO - CAOUTCHOUC - RUBBER
27	50666	4	DADO - ECROU - NUT	77	50031	1	DEFLETTORE - DEFLECTEUR - DEFLECTOR
28	22045	2	VITE - VIS - SCREW	78	50299	1	PERNO - PIVOT - PIN
29	40151	4	RONDELLA - RONDELLE - WASHER	80	50099	1	TEGOLO - PLAQUE - SPOON
30	50042	2	PIASTRA - PLAQUE - PLATE	81	50470	1	KIT MULCHING (OPTIONAL - FACULTATIF)
31	50645	9	VITE - VIS - SCREW	82	50544	4	DISTANZIALE - ENTRETOISE - SPACER
32	50020	4	COPRIMOZZO - COUVERCLE - WHEEL COVER	83	50529	2	CORONA - COURONNE - CROWN
33	50667	8	CUSCINETTO - ROULEMENT - BEARING	90	50604	1	MOTORE - MOTEUR - ENGINE
34	50692	2	KIT: RUOTA - ROUE - WHEEL	91	50104	1	CARTER (SX)
35	50174	2	PARAPOLVERE - PROTECTION - GUARD	92	50103	1	CARTER (DX)
36	50955	1	KIT: TRASMISSIONE - BOITE DE VIT. - GEARBOX	93	50094	1	LEVA GAS - LEVIER GAS - GAS LEVER
38	50142	1	PROTEZIONE - PROTECTION - GUARD	94	50832	1	ASSALE - AXE - AXLE
39	21139	2	RONDELLA - RONDELLE - WASHER	95	50345	1	CEST.COMP. - FABRIC CATCHER - BAC EN TOILE (Verde - Green)
40	50885	1	CINGHIA - COURROIE - BELT	95	50346	1	CEST.COMP. - FABRIC CATCHER - BAC EN TOILE (Nero - Black)
41	50690	2	RUOTA - ROUE - WHEEL	96	50763	1	TAPPO MULCHING - FERMATURE - MULCHING PLUG
42	50097	4	BLOCCO - ARRET - LOCKING PLATE	97	50845	1	LAMA - LAME - BLADE (Mulching)
43	50035	1	ASSALE - AXE - AXLE	98	50891	1	CARTERINO - COUVERCLE - COVER
44	50139	1	CARTER - CAPOT - HOUSING (Rosso - Red)	99	50762	1	ADESIVO ACTIVE - MARQUE - BRAND
	50589	1	CARTER - CAPOT - HOUSING (Grigio - Gray)	100	50209	1	ATTACCO ACQUA - RACCORDEMENT à L'EAU - WATER CONNECTION
45	50755	1	TIRANTE - TIRAGE - STAY BAR	101	50909	1	ADESIVO - ADHESIF - ADHESIVE
46	22798	1	VITE - VIS - SCREW	102	50640	6	VITE - VIS - SCREW
47	50036	1	PERNO - PIVOT - PIN	103	50700	2	RUOTA - ROUE - WHEEL
48	50643	1	SEGEER	104	20790	4	RONDELLA - RONDELLE - WASHER
49	50756	1	MOLLA - RESSORT - SPRING	105	23755	1	GOMMINO - CAOUTCHOUC - RUBBER
50	50119	1	MOLLA - RESSORT - SPRING	106	23758	1	GOMMINO - CAOUTCHOUC - RUBBER
51	50037	1	ASTA - TIGE DE LIAISON - CONNECTION ROD				

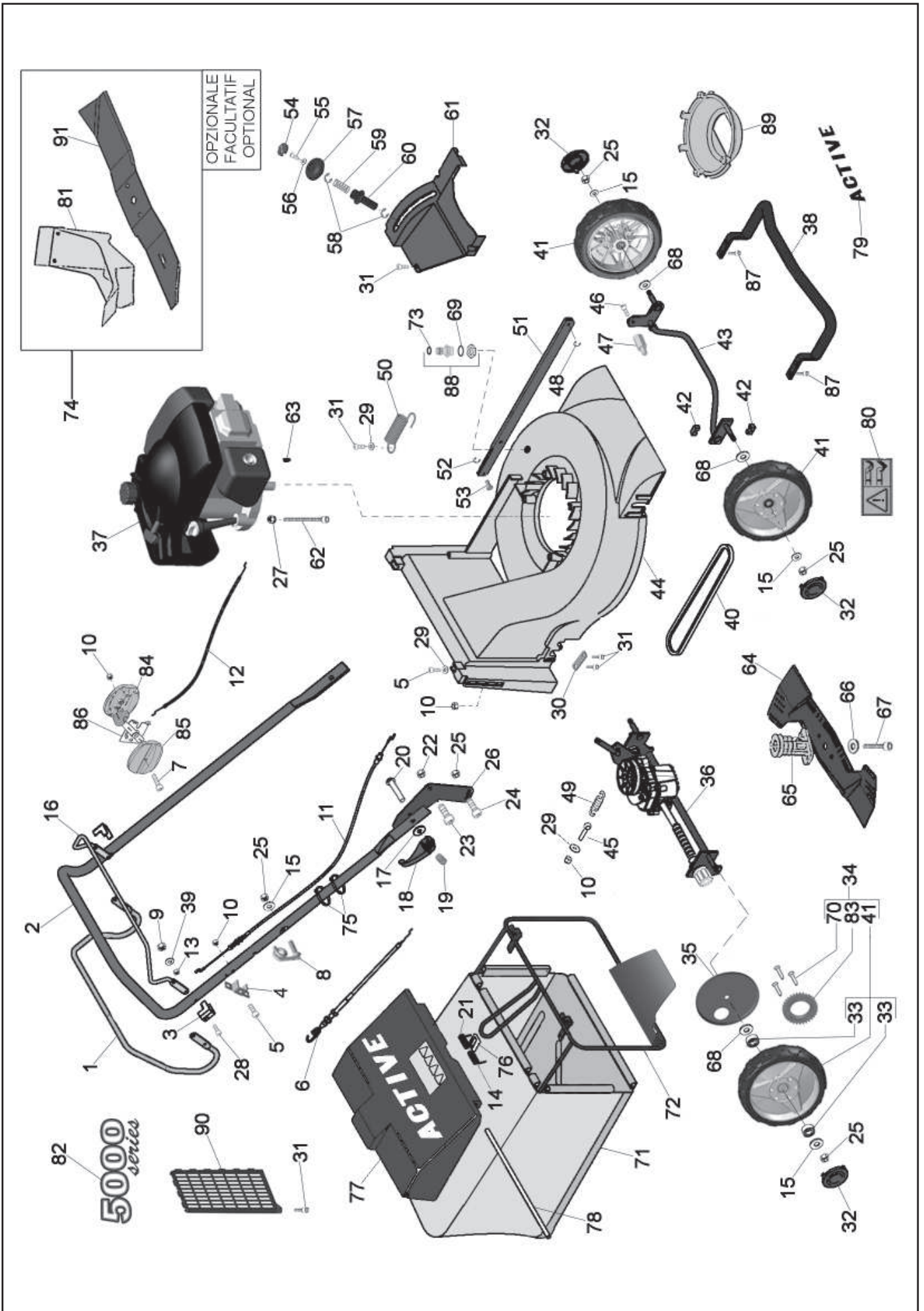
NOTE - NOTES



Valido dal N° di serie
A partir de N° de matricule suivant
From serial N°

50SH130001

Rasaerba - Tondeuses - Lawn mowers (5000 SH)



Rasaerba - Tondeuses - Lawn mowers (5000 SH)

RIF.	COD.	Q.	DESCRIZIONE - DESCRIPTION	RIF.	COD.	Q.	DESCRIZIONE - DESCRIPTION
REF.	N° / P P / N°			REF.	N° / P P / N°		
1	50214	1	MANIGLIA - POIGNEE - HANDLE	47	50036	1	PERNO - PIVOT - PIN
2	50125	1	MANUBRIO - MANCHERON - UPPER HANDLE	48	50643	1	SEGEER
3	50558	2	STAFFA - ETRIER - STIRRUP	49	50756	1	MOLLA - RESSORT - SPRING
4	50206	1	STAFFA - PALIER - BRACKET	50	50119	1	MOLLA - RESSORT - SPRING
5	40092	3	VITE - VIS - SCREW	51	50037	1	ASTA - TIGE DE LIAISON - CONNECTION ROD
6	50368	1	CAVO - CABLE (Trazione - Traction)	52	20087	1	SEGEER
7	20190	1	VITE - VIS - SCREW	53	50114	1	PERNO - PIVOT - PIN
8	50105	1	GUIDA ZONE START - MANCHERON - HANDLE	54	50118	1	TAPPO - BOUCHON - PLUG
9	31216	2	DADO - ECROU - NUT	55	35803	1	VITE - VIS - SCREW
10	20176	5	DADO - ECROU - NUT	56	20316	1	RONDELLA - RONDELLE - WASHER
11	50095	1	CAVO - CABLE (Freno - Brake)	57	50117	1	IMPUGNATURA - POIGNEE GUIDON - HANDLE
12	50069	1	CAVO - CABLE (Gas)	58	50674	2	SEGEER
13	20917	2	DADO - ECROU - NUT	59	50309	1	MOLLA - RESSORT - SPRING
14	50023	1	MOLLA - RESSORT - SPRING (DX)	60	50116	1	BUSSOLA - ANNEAU - SPACER
15	20711	5	RONDELLA - RONDELLE - WASHER	61	50137	1	CARTERINO - COUVERCLE - COVER
16	50211	1	MANIGLIA - POIGNEE - HANDLE	62	50642	4	VITE - VIS - SCREW
17	21686	2	RONDELLA - RONDELLE - WASHER	63	50306	1	CHIAVETTA - CLAVETTE - KEY
18	50127	2	LEVA - LEVIER - LEVER	64	50024	1	LAMA - LAME - BLADE (48 cm)
19	50101	2	PERNO - PIVOT - PIN	65	50608	1	MOZZO - MOYEUX - HUB (Ø25)
20	50639	2	VITE - VIS - SCREW	66	50538	1	RONDELLA - RONDELLE - WASHER
21	50618	1	MOLLA - RESSORT - SPRING (SX)	67	50641	1	VITE - VIS - SCREW
22	20317	2	DADO - ECROU - NUT	68	20790	4	RONDELLA - RONDELLE - WASHER
23	40379	2	VITE - VIS - SCREW	69	23758	1	GOMMINO - CAOUTCHOUC - RUBBER
24	50757	2	VITE - VIS - SCREW	70	50640	6	VITE - VIS - SCREW
25	20788	7	DADO - ECROU - NUT	71	50477	1	TELA - TOILE - CANVAS (Verde - Green)
26	50123	2	PIASTRA - PLAQUE - PLATE	71	50480	1	TELA - TOILE - CANVAS (Nera - Black)
27	50666	4	DADO - ECROU - NUT	72	50132	1	TELAIO - CHASSIS - FRAME
28	22045	2	VITE - VIS - SCREW	73	23755	1	GOMMINO - CAOUTCHOUC - RUBBER
29	40151	4	RONDELLA - RONDELLE - WASHER	74	50470	1	KIT MULCHING (OPTIONAL - FACULTATIF)
30	50042	2	PIASTRA - PLAQUE - PLATE	75	50314	2	FASCETTA - CLIP
31	50645	10	VITE - VIS - SCREW	76	50018	1	GOMMINO - CAOUTCHOUC - RUBBER
32	50020	4	COPRIMOZZO - COUVERCLE - WHEEL COVER	77	50031	1	DEFLETTORE - DEFLECTEUR - DEFLECTOR
33	50155	8	CUSCINETTO - ROULEMENT - BEARING	78	50299	1	PERNO - PIVOT - PIN
34	50358	2	KIT: RUOTA - ROUE - WHEEL	79	50762	1	ADESIVO <i>ACTIVE</i> - MARQUE - BRAND
35	50174	2	PARAPOLVERE - PROTECTION - GUARD	80	50909	1	ADESIVO - ADHESIF - ADHESIVE
36	50955	1	KIT: TRASMISSIONE - BOITE DE VIT. - GEARBOX	81	50763	1	TAPPO MULCHING - FERMATURE - MULCHING PLUG
37	50347	1	MOTORE - MOTEUR - ENGINE	82	50600	1	ADESIVO - ADHESIF - ADHESIVE
38	50142	1	PROTEZIONE - PROTECTION - GUARD	83	50529	2	CORONA - COURONNE - CROWN
39	21139	2	RONDELLA - RONDELLE - WASHER	84	50545	1	CARTER (SX)
40	50885	1	CINGHIA - COURROIE - BELT	85	50104	1	CARTER (DX)
41	50357	2	RUOTA - ROUE - WHEEL	86	50094	1	LEVA GAS - LEVIER GAS - GAS LEVER
42	50097	4	BLOCCO - ARRET - LOCKING PLATE	87	50646	4	VITE - VIS - SCREW
43	50035	1	ASSALE - AXE - AXLE	88	50209	1	ATTACCO ACQUA - RACCORDEMENT à L'EAU - WATER CONNECTION
44	50139	1	CARTER - CAPOT - HOUSING (Rosso - Red)	89	50891	1	CARTERINO - COUVERCLE - COVER
	50589	1	CARTER - CAPOT - HOUSING (Grigio - Gray)	90	50121	1	RETE - GRILLE
45	50755	1	TIRANTE - TIRAGE - STAY BAR	91	50845	1	LAMA - LAME - BLADE (Mulching)
46	22798	1	VITE - VIS - SCREW				

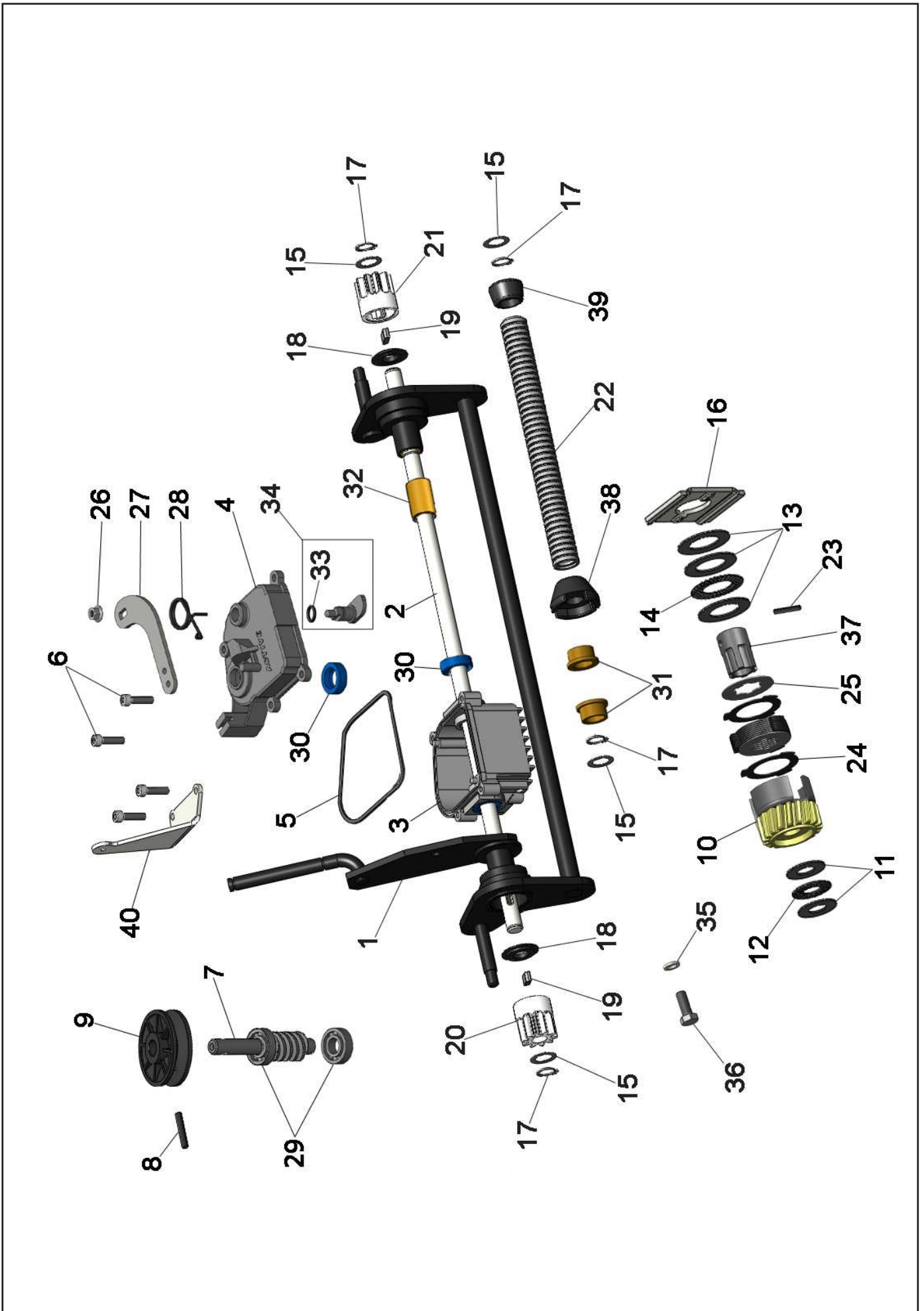
NOTE - NOTES



Valido dal N° di serie
A partir de N° de matricule suivant
From serial N°

50SH140001

50955 Trasmissione - Transmission - Transmission

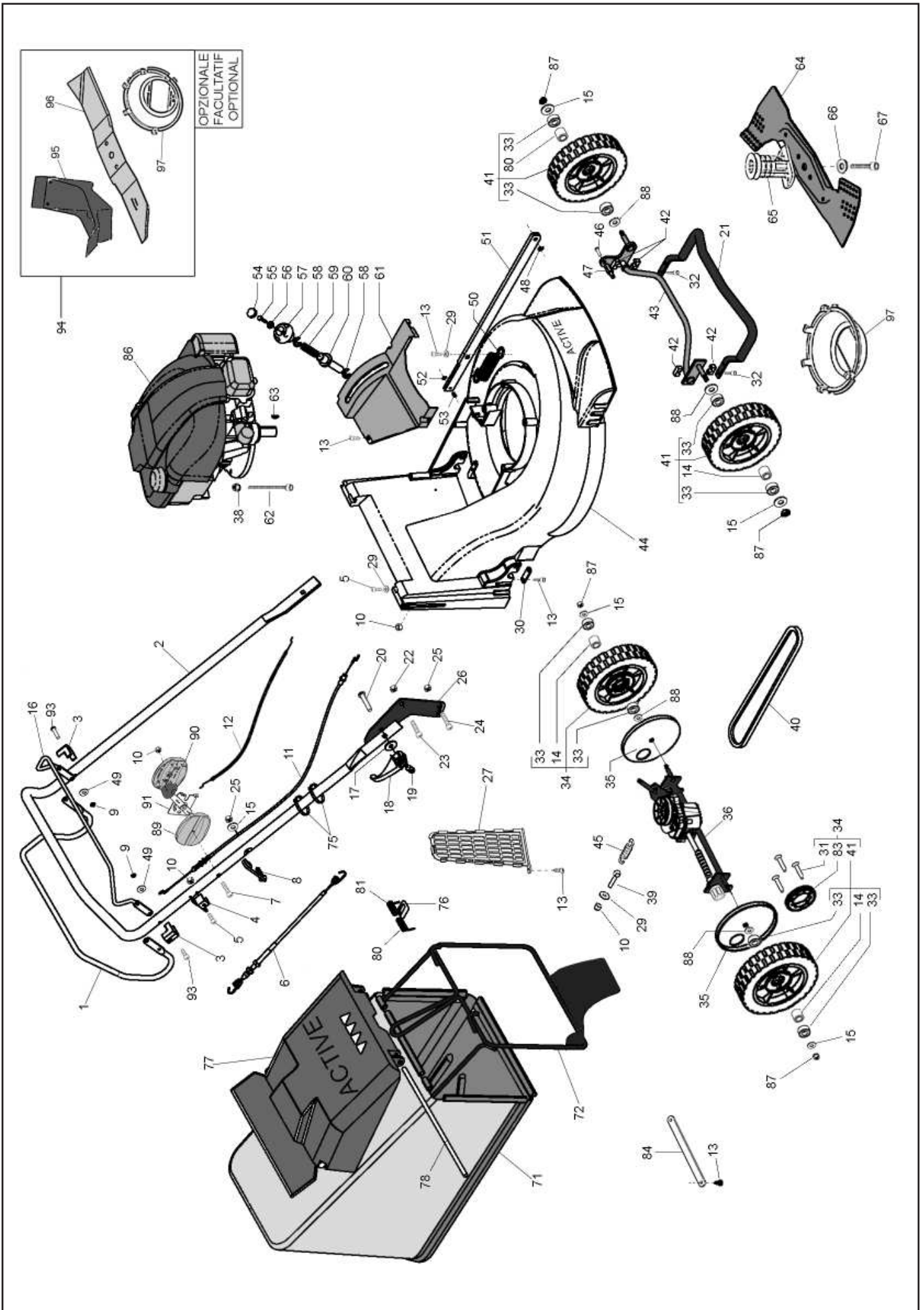


50955 Trasmissione - Transmission - Transmission

RIF. REF.	COD. N° / P P / N°	Q.	DESCRIZIONE - DESCRIPTION	RIF. REF.	COD. N° / P P / N°	Q.	DESCRIZIONE - DESCRIPTION
1	50120	1	ASSALE - AXE - AXLE	21	50528	1	PIGNONE - PIGNON - PINION (DX)
2	50647	1	ALBERO - ARBRE - SHAFT	22	50109	1	PROTEZIONE - PROTECTION - GUARD
3	50606	1	SCATOLA - BOITE - BOX	23	50295	1	SPINA ELAST. - GOUPILLES - ELAST.PIN
4	50229	1	COPERCHIO - COUVERTURE - COVER	24	50706	10	DISCO - DISK
5	50321	1	GUARNIZIONE - JOINT - GASKET	25	50707	10	DISCO - DISK
6	20001	4	VITE - VIS - SCREW	26	50519	1	DADO - ECROU - NUT
7	50524	1	VITE S.F. - VIS - SCREW	27	50255	1	LEVA - LEVIER - LEVER
8	50881	1	SPINA ELAST. - GOUPILLES - ELAST.PIN	28	50310	1	MOLLA - RESSORT - SPRING
9	50106	1	PULEGGIA - PUOLIE - PULLEY (Ø57)	29	22511	2	CUSCINETTO - ROULEMENT - BEARING
10	50281	1	ASSIEME CAMPANA - TAMBOUR - DRUM	30	50320	3	ANELLO DI TENUTA - JOINT - SEAL
11	50303	1	RONDELLA - RONDELLE - WASHER	31	50540	2	BUSSOLA - ENTRETOISE - SPACER
12	50521	1	CUSCINETTO - ROULEMENT - BEARING	32	50541	2	BUSSOLA - ENTRETOISE - SPACER
13	50261	3	RONDELLA - RONDELLE - WASHER	33	20324	1	O-RING
14	50522	1	CUSCINETTO - ROULEMENT - BEARING	34	50179	1	LEVA - LEVIER - LEVER
15	50678	4	RASAMENTO - RONDELLE - WASHER SHIMS	35	50772	1	RONDELLA - RONDELLE - WASHER
16	50546	1	LEVA - LEVIER - LEVER	36	50771	1	VITE - VIS - SCREW
17	20218	4	SEEGER	37	50284	1	BUSSOLA - ENTRETOISE - SPACER
18	50186	2	PROTEZIONE - PROTECTION - GUARD	38	50342	1	BUSSOLA - ENTRETOISE - SPACER
19	50188	2	CHIAVETTA - CLAVETTE - KEY	39	50341	1	BUSSOLA - ENTRETOISE - SPACER
20	50527	1	PIGNONE - PIGNON - PINION (SX)	40	50738	1	STAFFA - PALIER - BRACKET

NOTE - NOTES

Rasaerba - Tondeuses - Lawn mowers (5400 SB)



Rasaerba - Tondeuses - Lawn mowers (5400 SB)

RIF.	COD.	Q.	DESCRIZIONE - DESCRIPTION	RIF.	COD.	Q.	DESCRIZIONE - DESCRIPTION
REF.	N° / P P / N°			REF.	N° / P P / N°		
1	50177	1	MANIGLIA - POIGNEE - HANDLE	47	50036	1	PERNO - PIVOT - PIN
2	50380	1	MANUBRIO - MANCHERON - UPPER HANDLE	48	50643	1	SEGEER
3	50558	2	STAFFA - ETRIER - STIRRUP	49	21139	6	RONDELLA - RONDELLE - WASHER
4	50206	1	STAFFA - PALIER - BRACKET	50	50119	1	MOLLA - RESSORT - SPRING
5	40092	3	VITE - VIS - SCREW	51	50376	1	ASTA - TIGE DE LIAISON - CONNECTION ROD
6	50383	1	CAVO - CABLE (Trazione - Traction)	52	20087	1	SEGEER
7	20190	1	VITE - VIS - SCREW	53	50114	1	PERNO - PIVOT - PIN
8	50105	1	GUIDA ZONE START - MANCHERON - HANDLE	54	50118	1	TAPPO - BOUCHON - PLUG
9	31216	2	DADO - ECROU - NUT	55	35803	1	VITE - VIS - SCREW
10	20176	4	DADO - ECROU - NUT	56	20316	1	RONDELLA - RONDELLE - WASHER
11	50095	1	CAVO - CABLE (Freno - Brake)	57	50117	1	IMPUGNATURA - POIGNEE GUIDON - HANDLE
12	50069	1	CAVO - CABLE (Gas)	58	50674	2	SEGEER
13	50645	11	VITE - VIS - SCREW	59	50309	1	MOLLA - RESSORT - SPRING
14	50544	4	DISTANZIALE - ENTRETOISE - SPACER	60	50116	1	BUSSOLA - ANNEAU - SPACER
15	20711	4	RONDELLA - RONDELLE - WASHER	61	50389	1	CARTERINO - COUVERCLE - COVER
16	50175	1	MANIGLIA - POIGNEE - HANDLE	62	40291	1	VITE - VIS - SCREW
17	21686	2	RONDELLA - RONDELLE - WASHER		50642	2	VITE - VIS - SCREW
18	50127	2	LEVA - LEVIER - LEVER	63	50306	1	CHIAVETTA - CLAVETTE - KEY
19	50101	2	PERNO - PIVOT - PIN	64	50401	1	LAMA - LAME - BLADE (51 cm)
20	50639	2	VITE - VIS - SCREW	65	50608	1	MOZZO - MOYEUR - HUB
21	50394	1	PROTEZIONE - PROTECTION - GUARD	66	50538	1	RONDELLA - RONDELLE - WASHER
22	20317	2	DADO - ECROU - NUT	67	50641	1	VITE - VIS - SCREW
23	40379	2	VITE - VIS - SCREW	71	50398	1	TELA - TOILE - CANVAS (Verde - Green)
24	40370	2	VITE - VIS - SCREW		50725	1	TELA - TOILE - CANVAS (Nera - Black)
25	20788	6	DADO - ECROU - NUT	72	50742	1	TELAIO - CHASSIS - FRAME
26	50123	2	PIASTRA - PLAQUE - PLATE	75	50314	2	FASCETTA - CLIP
27	50686	1	RETE - GRILLE	76	50018	1	IMPUGNATURA - POIGNEE GUIDON - HANDLE
29	40151	3	RONDELLA - RONDELLE - WASHER	77	50396	1	DEFLETTORE - DEFLECTEUR - DEFLECTOR
30	50042	2	PIASTRA - PLAQUE - PLATE	78	50382	1	PERNO - PIVOT - PIN
32	50646	4	VITE - VIS - SCREW	80	50023	1	MOLLA - RESSORT - SPRING (DX)
33	50667	8	CUSCINETTO - ROULEMENT - BEARING	81	50618	1	MOLLA - RESSORT - SPRING (SX)
34	50684	2	KIT: RUOTA - ROUE - WHEEL (POST.)	83	50529	2	CORONA - COURONNE - CROWN
35	50174	2	PARAPOLVERE - PROTECTION - GUARD	84	50629	1	PIASTRA - PLAQUE - PLATE
36	50955	1	KIT: TRASMISSIONE - BOITE DE VIT. - GEARBOX	86	50602	1	MOTORE - MOTEUR - ENGINE
38	50666	4	DADO - ECROU - NUT	87	50663	4	DADO - ECROU - NUT
39	50755	1	TIRANTE - TIRAGE - STAY BAR	88	20790	6	RONDELLA - RONDELLE - WASHER
40	50716	1	CINGHIA - COURROIE - BELT	89	50104	1	CARTER (DX)
41	50702	4	RUOTA - ROUE - WHEEL	90	50103	1	CARTER (SX)
42	50097	4	BLOCCO - ARRET - LOCKING PLATE	91	50094	1	LEVA GAS - LEVIER GAS - GAS LEVER
43	50035	1	ASSALE - AXE - AXLE	93	50830	2	VITE - VIS - SCREW
44	50391	1	CARTER - CAPOT - HOUSING (Rosso - Red)	94	50906	1	KIT MULCHING (OPTIONAL - FACULTATIF)
	50590		CARTER - CAPOT - HOUSING (Grigio - Gray)	95	50616	1	TAPPO MULCHING - FERMATURE - MULCHING PLUG
45	50756	1	MOLLA - RESSORT - SPRING	96	50899	1	LAMA - LAME - BLADE (Mulching)
46	22798	1	VITE - VIS - SCREW	97	50891	1	CARTERINO - COUVERCLE - COVER

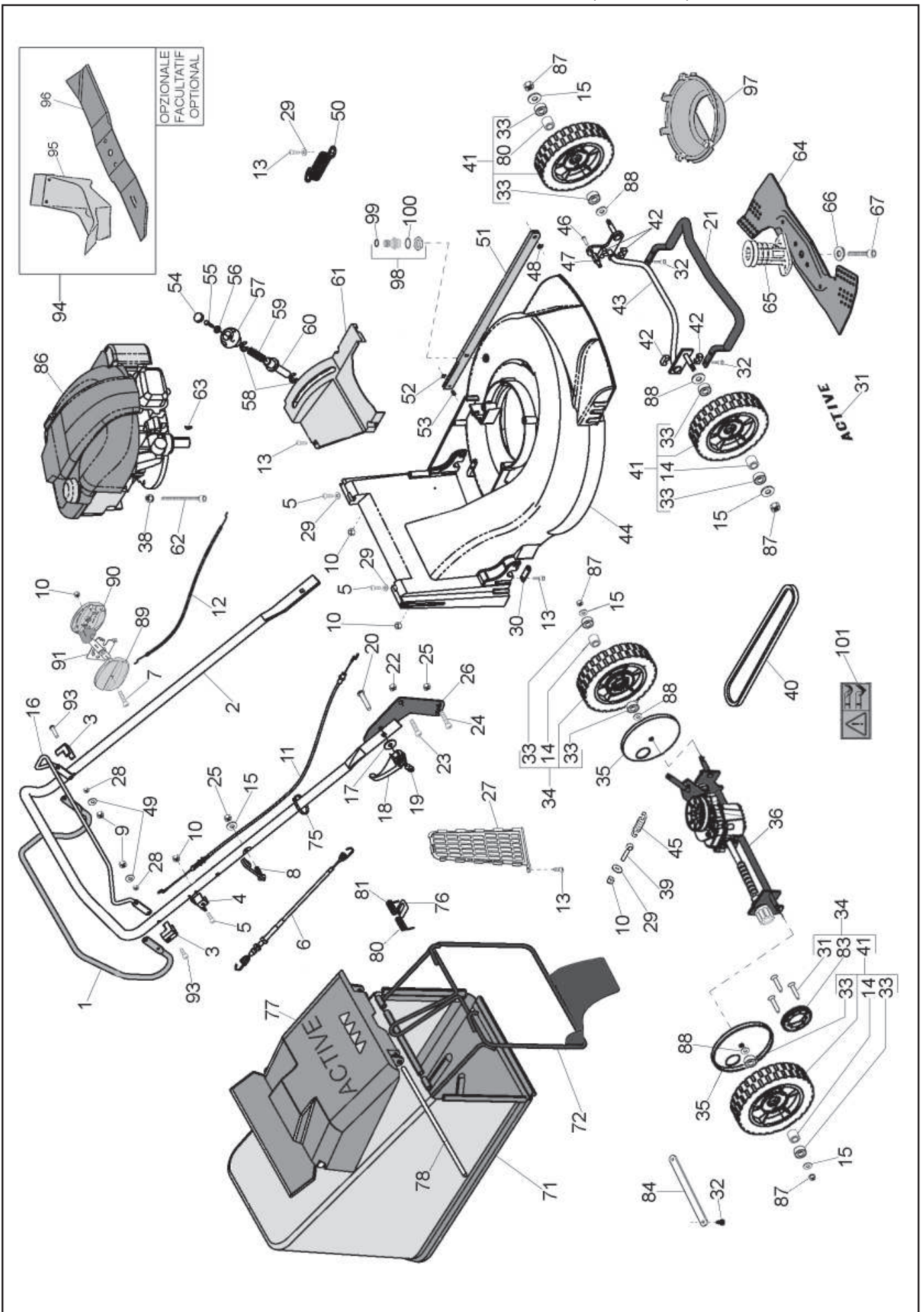
NOTE - NOTES



Valido dal N° di serie
A partir de N° de matricule suivant
From serial N°

54SB120001

Rasaerba - Tondeuses - Lawn mowers (5400 SB)



Rasaerba - Tondeuses - Lawn mowers (5400 SB)

RIF.	COD.	Q.	DESCRIZIONE - DESCRIPTION	RIF.	COD.	Q.	DESCRIZIONE - DESCRIPTION
REF.	N° / P P / N°			REF.	N° / P P / N°		
1	50177	1	MANIGLIA - POIGNEE - HANDLE	48	50643	1	SEGEER
2	50380	1	MANUBRIO - MANCHERON - UPPER HANDLE	49	21139	6	RONDELLA - RONDELLE - WASHER
3	50558	2	STAFFA - ETRIER - STIRRUP	50	50119	1	MOLLA - RESSORT - SPRING
4	50206	1	STAFFA - PALIER - BRACKET	51	50376	1	ASTA - TIGE DE LIAISON - CONNECTION ROD
5	40092	3	VITE - VIS - SCREW	52	20087	1	SEGEER
6	50383	1	CAVO - CABLE (Trazione - Traction)	53	50114	1	PERNO - PIVOT - PIN
7	20190	1	VITE - VIS - SCREW	54	50118	1	TAPPO - BOUCHON - PLUG
8	50105	1	GUIDA ZONE START - MANCHERON - HANDLE	55	35803	1	VITE - VIS - SCREW
9	31216	2	DADO - ECROU - NUT	56	20316	1	RONDELLA - RONDELLE - WASHER
10	20176	4	DADO - ECROU - NUT	57	50117	1	IMPUGNATURA - POIGNEE GUIDON - HANDLE
11	50095	1	CAVO - CABLE (Freno - Brake)	58	50674	2	SEGEER
12	50069	1	CAVO - CABLE (Gas)	59	50309	1	MOLLA - RESSORT - SPRING
13	50645	9	VITE - VIS - SCREW	60	50116	1	BUSSOLA - ANNEAU - SPACER
14	50544	4	DISTANZIALE - ENTRETOISE - SPACER	61	50389	1	CARTERINO - COUVERCLE - COVER
15	20711	5	RONDELLA - RONDELLE - WASHER	62	40291	1	VITE - VIS - SCREW
16	50175	1	MANIGLIA - POIGNEE - HANDLE		50642	2	VITE - VIS - SCREW
17	21686	2	RONDELLA - RONDELLE - WASHER	63	50306	1	CHIAVETTA - CLAVETTE - KEY
18	50127	2	LEVA - LEVIER - LEVER	64	50401	1	LAMA - LAME - BLADE (51 cm)
19	50101	2	PERNO - PIVOT - PIN	65	50608	1	MOZZO - MOYEUR - HUB
20	50639	2	VITE - VIS - SCREW	66	50538	1	RONDELLA - RONDELLE - WASHER
21	50394	1	PROTEZIONE - PROTECTION - GUARD	67	50641	1	VITE - VIS - SCREW
22	20317	2	DADO - ECROU - NUT	71	50398	1	TELA - TOILE - CANVAS (Verde - Green)
23	40379	2	VITE - VIS - SCREW		50725		TELA - TOILE - CANVAS (Nera - Black)
24	50757	2	VITE - VIS - SCREW	72	50742	1	TELAIO - CHASSIS - FRAME
25	20788	3	DADO - ECROU - NUT	75	50314	2	FASCETTA - CLIP
26	50123	2	PIASTRA - PLAQUE - PLATE	76	50018	1	GOMMINO - CAOUTCHOUC - RUBBER
27	50686	1	RETE - GRILLE	77	50396	1	DEFLETTORE - DEFLECTEUR - DEFLECTOR
28	20917	2	DADO - ECROU - NUT	78	50382	1	PERNO - PIVOT - PIN
29	40151	3	RONDELLA - RONDELLE - WASHER	80	50023	1	MOLLA - RESSORT - SPRING (DX)
30	50042	2	PIASTRA - PLAQUE - PLATE	81	50618	1	MOLLA - RESSORT - SPRING (SX)
31	50762	1	ADESIVO <i>ACTIVE</i> - MARQUE - BRAND	83	50529	2	CORONA - COURONNE - CROWN
32	50646	6	VITE - VIS - SCREW	84	50629	1	PIASTRA - PLAQUE - PLATE
33	50667	8	CUSCINETTO - ROULEMENT - BEARING	86	50602	1	MOTORE - MOTEUR - ENGINE
34	50684	2	KIT: RUOTA - ROUE - WHEEL (POST.)	87	50663	4	DADO - ECROU - NUT
35	50174	2	PARAPOLVERE - PROTECTION - GUARD	88	20790	6	RONDELLA - RONDELLE - WASHER
36	50955	1	KIT: TRASMISSIONE - BOITE DE VIT. - GEARBOX	89	50104	1	CARTER (DX)
38	50666	3	DADO - ECROU - NUT	90	50103	1	CARTER (SX)
39	50755	1	TIRANTE - TIRAGE - STAY BAR	91	50094	1	LEVA GAS - LEVIER GAS - GAS LEVER
40	50716	1	CINGHIA - COURROIE - BELT	93	22045	2	VITE - VIS - SCREW
41	50702	4	RUOTA - ROUE - WHEEL	94	50471	1	KIT MULCHING (OPTIONAL - FACULTATIF)
42	50097	4	BLOCCO - ARRET - LOCKING PLATE	95	50616	1	TAPPO MULCHING - FERMATURE - MULCHING PLUG
43	50035	1	ASSALE - AXE - AXLE	96	50899	1	LAMA - LAME - BLADE (Mulching)
44	50391	1	CARTER - CAPOT - HOUSING (Rosso - Red)	97	50891	1	CARTERINO - COUVERCLE - COVER
	50590		CARTER - CAPOT - HOUSING (Grigio - Gray)	98	50209	1	ATTACCO ACQUA - RACCORDEMENT à L'EAU - WATER CONNECTION
45	50756	1	MOLLA - RESSORT - SPRING	99	23755	1	GOMMINO - CAOUTCHOUC - RUBBER
46	22798	1	VITE - VIS - SCREW	100	23758	1	GOMMINO - CAOUTCHOUC - RUBBER
47	50036	1	PERNO - PIVOT - PIN	101	50909	1	ADESIVO - ADHESIF - ADHESIVE

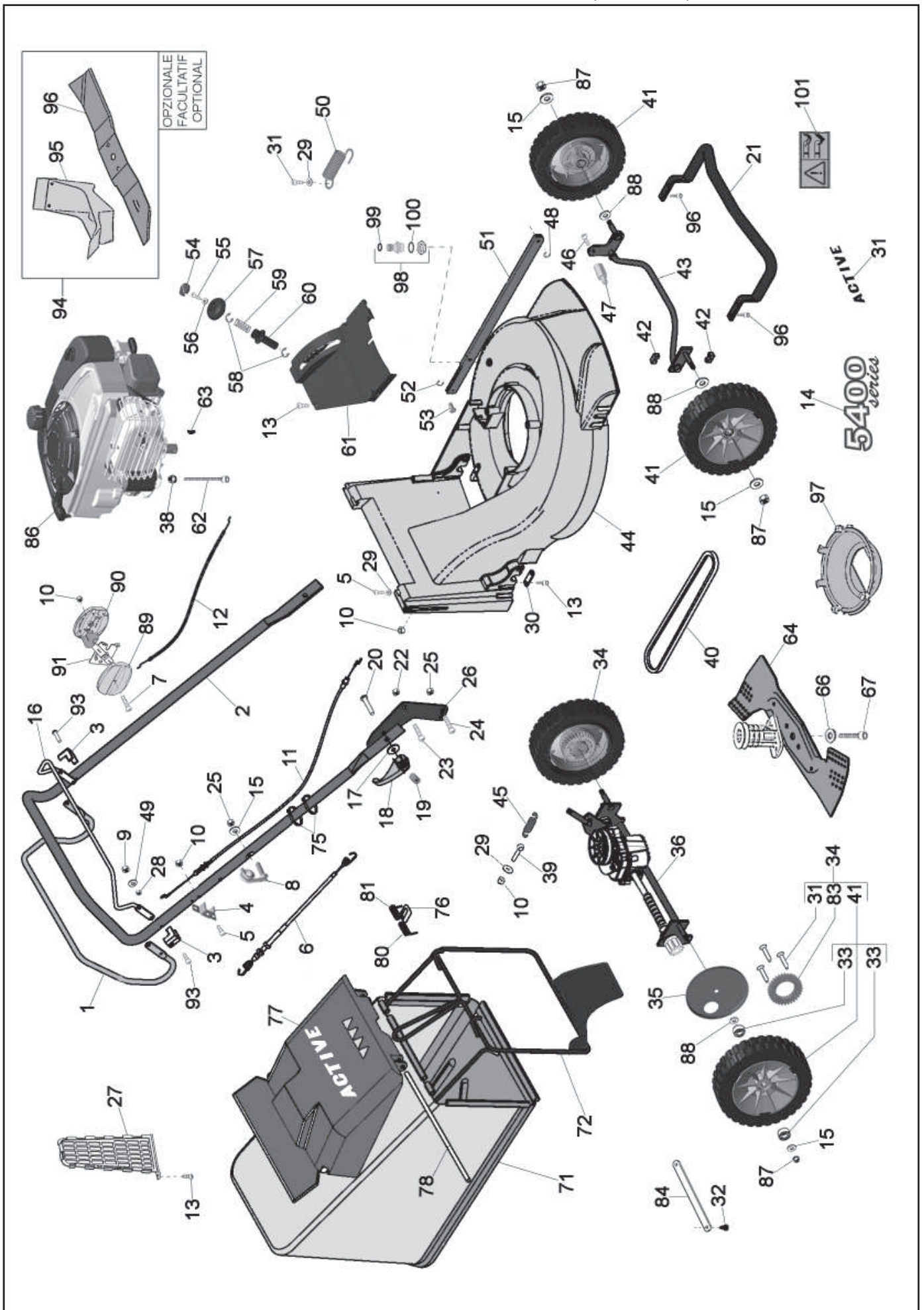
NOTE - NOTES



Valido dal N° di serie
A partir de N° de matricule suivant
From serial N°

54SB130001

Rasaerba - Tondeuses - Lawn mowers (5400 SB)



Rasaerba - Tondeuses - Lawn mowers (5400 SB)

RIF.	COD.	Q.	DESCRIZIONE - DESCRIPTION	RIF.	COD.	Q.	DESCRIZIONE - DESCRIPTION
REF.	N° / P P / N°			REF.	N° / P P / N°		
1	50177	1	MANIGLIA - POIGNEE - HANDLE	48	50643	1	SEGEER
2	50380	1	MANUBRIO - MANCHERON - UPPER HANDLE	49	21139	6	RONDELLA - RONDELLE - WASHER
3	50558	2	STAFFA - ETRIER - STIRRUP	50	50119	1	MOLLA - RESSORT - SPRING
4	50206	1	STAFFA - PALIER - BRACKET	51	50376	1	ASTA - TIGE DE LIAISON - CONNECTION ROD
5	40092	3	VITE - VIS - SCREW	52	20087	1	SEGEER
6	50383	1	CAVO - CABLE (Trazione - Traction)	53	50114	1	PERNO - PIVOT - PIN
7	20190	1	VITE - VIS - SCREW	54	50118	1	TAPPO - BOUCHON - PLUG
8	50105	1	GUIDA ZONE START - MANCHERON - HANDLE	55	35803	1	VITE - VIS - SCREW
9	31216	2	DADO - ECROU - NUT	56	20316	1	RONDELLA - RONDELLE - WASHER
10	20176	4	DADO - ECROU - NUT	57	50117	1	IMPUGNATURA - POIGNEE GUIDON - HANDLE
11	50095	1	CAVO - CABLE (Freno - Brake)	58	50674	2	SEGEER
12	50069	1	CAVO - CABLE (Gas)	59	50309	1	MOLLA - RESSORT - SPRING
13	50645	9	VITE - VIS - SCREW	60	50116	1	BUSSOLA - ANNEAU - SPACER
14	50544	4	DISTANZIALE - ENTRETOISE - SPACER	61	50389	1	CARTERINO - COUVERCLE - COVER
15	20711	5	RONDELLA - RONDELLE - WASHER	62	40291	1	VITE - VIS - SCREW
16	50175	1	MANIGLIA - POIGNEE - HANDLE		50642	2	VITE - VIS - SCREW
17	21686	2	RONDELLA - RONDELLE - WASHER	63	50306	1	CHIAVETTA - CLAVETTE - KEY
18	50127	2	LEVA - LEVIER - LEVER	64	50401	1	LAMA - LAME - BLADE (51 cm)
19	50101	2	PERNO - PIVOT - PIN	65	50608	1	MOZZO - MOYEUR - HUB
20	50639	2	VITE - VIS - SCREW	66	50538	1	RONDELLA - RONDELLE - WASHER
21	50394	1	PROTEZIONE - PROTECTION - GUARD	67	50641	1	VITE - VIS - SCREW
22	20317	2	DADO - ECROU - NUT	71	50398	1	TELA - TOILE - CANVAS (Verde - Green)
23	40379	2	VITE - VIS - SCREW		50725		TELA - TOILE - CANVAS (Nera - Black)
24	50757	2	VITE - VIS - SCREW	72	50742	1	TELAIO - CHASSIS - FRAME
25	20788	3	DADO - ECROU - NUT	75	50314	2	FASCETTA - CLIP
26	50123	2	PIASTRA - PLAQUE - PLATE	76	50018	1	GOMMINO - CAOUTCHOUC - RUBBER
27	50686	1	RETE - GRILLE	77	50396	1	DEFLETTORE - DEFLECTEUR - DEFLECTOR
28	20917	2	DADO - ECROU - NUT	78	50382	1	PERNO - PIVOT - PIN
29	40151	3	RONDELLA - RONDELLE - WASHER	80	50023	1	MOLLA - RESSORT - SPRING (DX)
30	50042	2	PIASTRA - PLAQUE - PLATE	81	50618	1	MOLLA - RESSORT - SPRING (SX)
31	50762	1	ADESIVO <i>ACTIVE</i> - MARQUE - BRAND	83	50529	2	CORONA - COURONNE - CROWN
32	50646	6	VITE - VIS - SCREW	84	50629	1	PIASTRA - PLAQUE - PLATE
33	50667	8	CUSCINETTO - ROULEMENT - BEARING	86	50347	1	MOTORE - MOTEUR - ENGINE
34	50684	2	KIT: RUOTA - ROUE - WHEEL (POST.)	87	50663	4	DADO - ECROU - NUT
35	50174	2	PARAPOLVERE - PROTECTION - GUARD	88	20790	6	RONDELLA - RONDELLE - WASHER
36	50955	1	KIT: TRASMISSIONE - BOITE DE VIT. - GEARBOX	89	50104	1	CARTER (DX)
38	50666	3	DADO - ECROU - NUT	90	50103	1	CARTER (SX)
39	50755	1	TIRANTE - TIRAGE - STAY BAR	91	50094	1	LEVA GAS - LEVIER GAS - GAS LEVER
40	50883	1	CINGHIA - COURROIE - BELT	93	22045	2	VITE - VIS - SCREW
41	50702	4	RUOTA - ROUE - WHEEL	94	50471	1	KIT MULCHING (OPTIONAL - FACULTATIF)
42	50097	4	BLOCCO - ARRET - LOCKING PLATE	95	50616	1	TAPPO MULCHING - FERMATURE - MULCHING PLUG
43	50035	1	ASSALE - AXE - AXLE	96	50899	1	LAMA - LAME - BLADE (Mulching)
44	50391	1	CARTER - CAPOT - HOUSING (Rosso - Red)	97	50891	1	CARTERINO - COUVERCLE - COVER
	50590		CARTER - CAPOT - HOUSING (Grigio - Gray)	98	50209	1	ATTACCO ACQUA - RACCORDMENT à L'EAU - WATER CONNECTION
45	50756	1	MOLLA - RESSORT - SPRING	99	23755	1	GOMMINO - CAOUTCHOUC - RUBBER
46	22798	1	VITE - VIS - SCREW	100	23758	1	GOMMINO - CAOUTCHOUC - RUBBER
47	50036	1	PERNO - PIVOT - PIN	101	50909	1	ADESIVO - ADHESIF - ADHESIVE

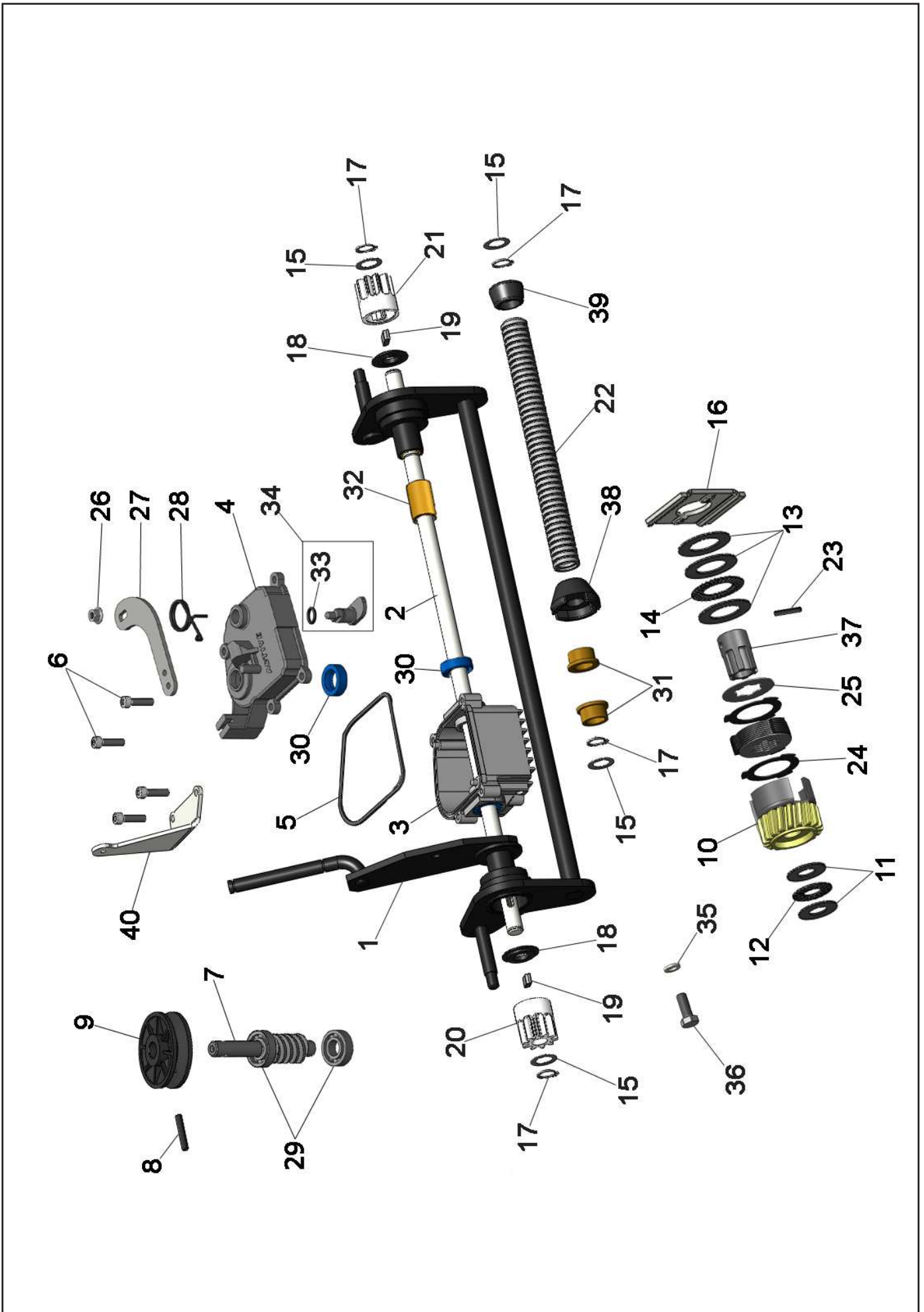
NOTE - NOTES



Valido dal N° di serie
A partir de N° de matricule suivant
From serial N°

54SB14001

50955 Trasmissione - Transmission - Transmission

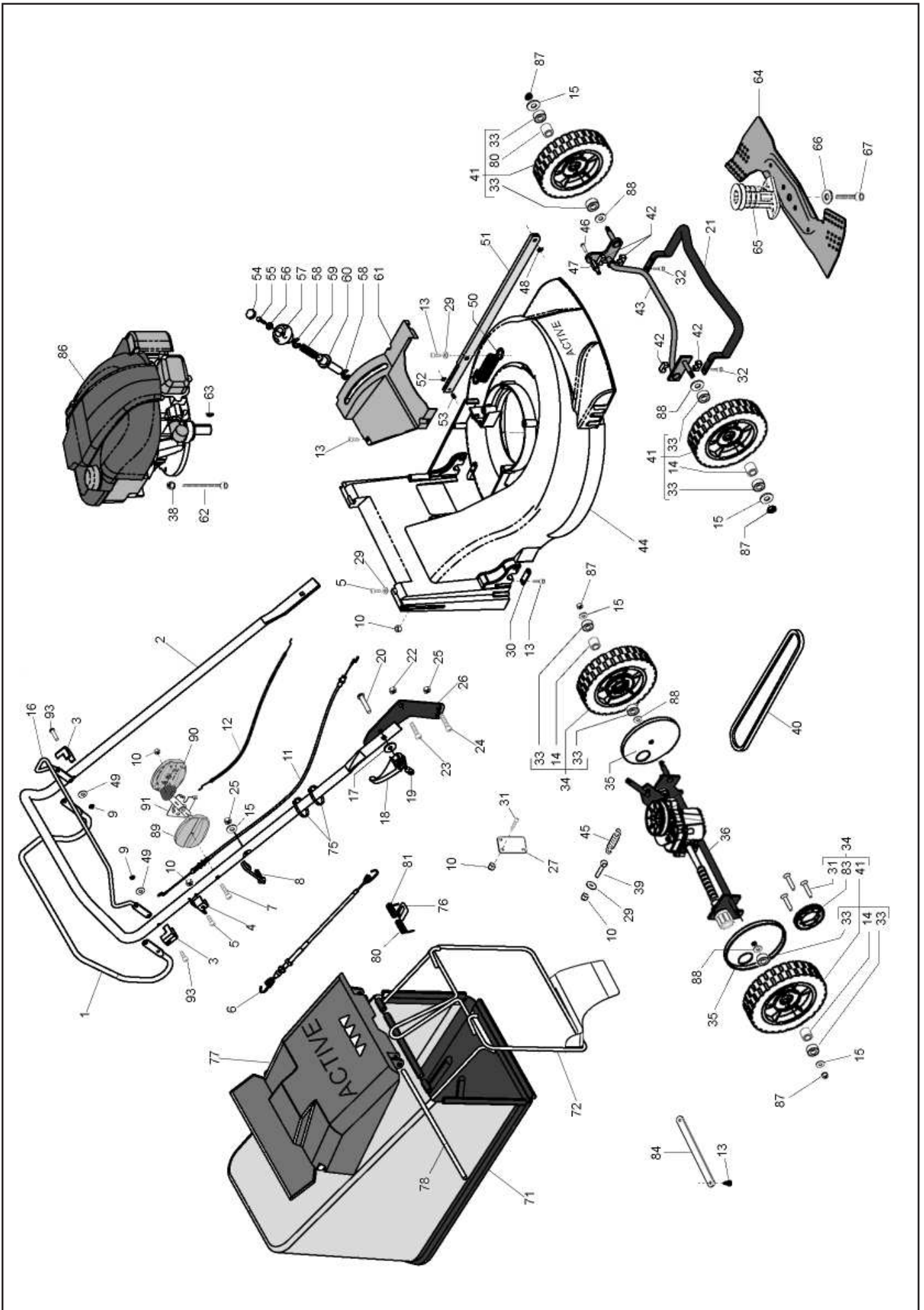


50955 Trasmissione - Transmission - Transmission

RIF. REF.	COD. N° / P P / N°	Q.	DESCRIZIONE - DESCRIPTION	RIF. REF.	COD. N° / P P / N°	Q.	DESCRIZIONE - DESCRIPTION
1	50120	1	ASSALE - AXE - AXLE	21	50528	1	PIGNONE - PIGNON - PINION (DX)
2	50647	1	ALBERO - ARBRE - SHAFT	22	50109	1	PROTEZIONE - PROTECTION - GUARD
3	50606	1	SCATOLA - BOITE - BOX	23	50295	1	SPINA ELAST. - GOUPILLES - ELAST.PIN
4	50229	1	COPERCHIO - COUVERTURE - COVER	24	50706	10	DISCO - DISK
5	50321	1	GUARNIZIONE - JOINT - GASKET	25	50707	10	DISCO - DISK
6	20001	4	VITE - VIS - SCREW	26	50519	1	DADO - ECROU - NUT
7	50524	1	VITE S.F. - VIS - SCREW	27	50255	1	LEVA - LEVIER - LEVER
8	50881	1	SPINA ELAST. - GOUPILLES - ELAST.PIN	28	50310	1	MOLLA - RESSORT - SPRING
9	50106	1	PULEGGIA - PUOLIE - PULLEY (Ø57)	29	22511	2	CUSCINETTO - ROULEMENT - BEARING
10	50281	1	ASSIEME CAMPANA - TAMBOUR - DRUM	30	50320	3	ANELLO DI TENUTA - JOINT - SEAL
11	50303	1	RONDELLA - RONDELLE - WASHER	31	50540	2	BUSSOLA - ENTRETOISE - SPACER
12	50521	1	CUSCINETTO - ROULEMENT - BEARING	32	50541	2	BUSSOLA - ENTRETOISE - SPACER
13	50261	3	RONDELLA - RONDELLE - WASHER	33	20324	1	O-RING
14	50522	1	CUSCINETTO - ROULEMENT - BEARING	34	50179	1	LEVA - LEVIER - LEVER
15	50678	4	RASAMENTO - RONDELLE - WASHER SHIMS	35	50772	1	RONDELLA - RONDELLE - WASHER
16	50546	1	LEVA - LEVIER - LEVER	36	50771	1	VITE - VIS - SCREW
17	20218	4	SEEGER	37	50284	1	BUSSOLA - ENTRETOISE - SPACER
18	50186	2	PROTEZIONE - PROTECTION - GUARD	38	50342	1	BUSSOLA - ENTRETOISE - SPACER
19	50188	2	CHIAVETTA - CLAVETTE - KEY	39	50341	1	BUSSOLA - ENTRETOISE - SPACER
20	50527	1	PIGNONE - PIGNON - PINION (SX)	40	50738	1	STAFFA - PALIER - BRACKET

NOTE - NOTES

Rasaerba - Tondeuses - Lawn mowers (5400 SH)



Rasaerba - Tondeuses - Lawn mowers (5400 SH)

RIF.	COD.	Q.	DESCRIZIONE - DESCRIPTION	RIF.	COD.	Q.	DESCRIZIONE - DESCRIPTION
REF.	N° / P P / N°			REF.	N° / P P / N°		
1	50177	1	MANIGLIA - POIGNEE - HANDLE	45	50756	1	MOLLA - RESSORT - SPRING
2	50380	1	MANUBRIO - MANCHERON - UPPER HANDLE	46	22798	1	VITE - VIS - SCREW
3	50558	2	STAFFA - ETRIER - STIRRUP	47	50036	1	PERNO - PIVOT - PIN
4	50206	1	STAFFA - PALIER - BRACKET	48	50643	1	SEGEER
5	40092	3	VITE - VIS - SCREW	49	21139	6	RONDELLA - RONDELLE - WASHER
6	50383	1	CAVO - CABLE (Trazione - Traction)	50	50119	1	MOLLA - RESSORT - SPRING
7	20190	1	VITE - VIS - SCREW	51	50376	1	ASTA - TIGE DE LIAISON - CONNECTION ROD
8	50105	1	GUIDA ZONE START - MANCHERON - HANDLE	52	20087	1	SEGEER
9	31216	2	DADO - ECROU - NUT	53	50114	1	PERNO - PIVOT - PIN
10	20176	5	DADO - ECROU - NUT	54	50118	1	TAPPO - BOUCHON - PLUG
11	50095	1	CAVO - CABLE (Freno - Brake)	55	35803	1	VITE - VIS - SCREW
12	50069	1	CAVO - CABLE (Gas)	56	20316	1	RONDELLA - RONDELLE - WASHER
13	50645	11	VITE - VIS - SCREW	57	50117	1	IMPUGNATURA - POIGNEE GUIDON - HANDLE
14	50544	4	DISTANZIALE - ENTRETOISE - SPACER	58	50674	2	SEGEER
15	20711	4	RONDELLA - RONDELLE - WASHER	59	50309	1	MOLLA - RESSORT - SPRING
16	50175	1	MANIGLIA - POIGNEE - HANDLE	60	50116	1	BUSSOLA - ANNEAU - SPACER
17	21686	2	RONDELLA - RONDELLE - WASHER	61	50389	1	CARTERINO - COUVERCLE - COVER
18	50127	2	LEVA - LEVIER - LEVER	62	50642	4	VITE - VIS - SCREW
19	50101	2	PERNO - PIVOT - PIN	63	50306	1	CHIAVETTA - CLAVETTE - KEY
20	50639	2	VITE - VIS - SCREW	64	50401	1	LAMA - LAME - BLADE (51 cm)
21	50394	1	PROTEZIONE - PROTECTION - GUARD	65	50608	1	MOZZO - MOYEUR - HUB (Ø25)
22	20317	2	DADO - ECROU - NUT	66	50538	1	RONDELLA - RONDELLE - WASHER
23	40379	2	VITE - VIS - SCREW	67	50641	1	VITE - VIS - SCREW
24	40370	2	VITE - VIS - SCREW	71	50398	1	TELA - TOILE - CANVAS (Verde - Green)
25	20788	6	DADO - ECROU - NUT		50725	1	TELA - TOILE - CANVAS (Nera - Black)
26	50123	2	PIASTRA - PLAQUE - PLATE	72	50742	1	TELAIO - CHASSIS - FRAME
27	50447	1	PIASTRA - PLAQUE - PLATE	75	50314	2	FASCETTA - CLIP
29	40151	4	RONDELLA - RONDELLE - WASHER	76	50018	1	IMPUGNATURA - POIGNEE GUIDON - HANDLE
30	50042	2	PIASTRA - PLAQUE - PLATE	77	50396	1	DEFLETTORE - DEFLECTEUR - DEFLECTOR
31	20328	7	VITE - VIS - SCREW	78	50382	1	PERNO - PIVOT - PIN
32	50646	4	VITE - VIS - SCREW	80	50023	1	MOLLA - RESSORT - SPRING (DX)
33	50667	8	CUSCINETTO - ROULEMENT - BEARING	81	50618	1	MOLLA - RESSORT - SPRING (SX)
34	50684	2	KIT: RUOTA - ROUE - WHEEL (POST.)	83	50529	2	CORONA - COURONNE - CROWN
35	50174	2	PARAPOLVERE - PROTECTION - GUARD	84	50629	1	PIASTRA - PLAQUE - PLATE
36	50003	1	KIT: TRASMISSIONE - BOITE DE VIT. - GEARBOX	86	50604	1	MOTORE - MOTEUR - ENGINE
38	50666	4	DADO - ECROU - NUT	87	50663	4	DADO - ECROU - NUT
39	50755	1	TIRANTE - TIRAGE - STAY BAR	88	20790	4	RONDELLA - RONDELLE - WASHER
40	50324	1	CINGHIA - COURROIE - BELT	89	50104	1	CARTER (DX)
41	50702	4	RUOTA - ROUE - WHEEL	90	50103	1	CARTER (SX)
42	50097	4	BLOCCO - ARRET - LOCKING PLATE	91	50094	1	LEVA GAS - LEVIER GAS - GAS LEVER
43	50035	1	ASSALE - AXE - AXLE	93	50830	2	VITE - VIS - SCREW
44	50391	1	CARTER - CAPOT - HOUSING (Rosso - Red)				
	50590		CARTER - CAPOT - HOUSING (Grigio - Gray)				

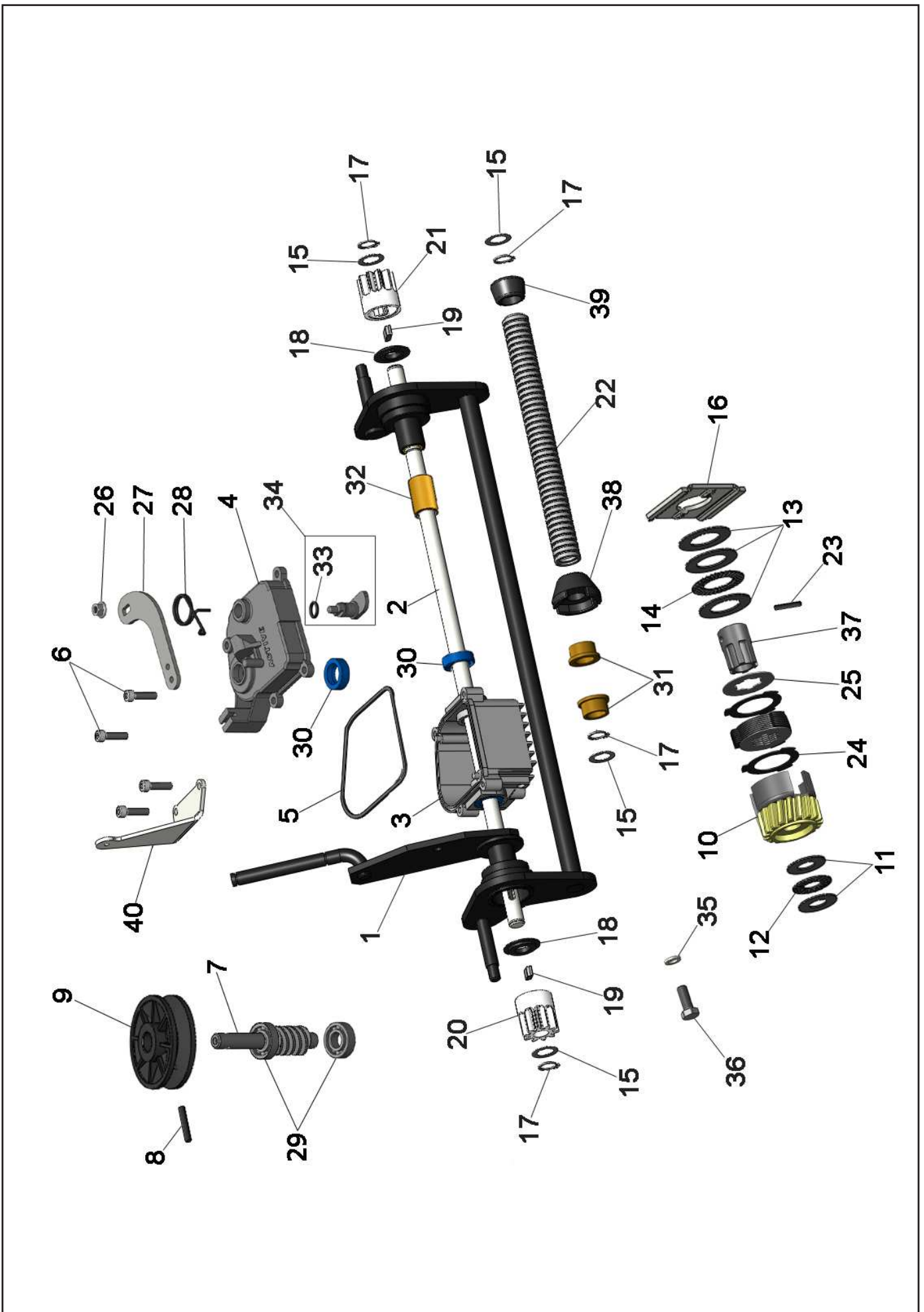
NOTE - NOTES



Valido dal N° di serie
A partir de N° de matricule suivant
From serial N°

54SH100001

50003 Trasmissione - Transmission - Transmission

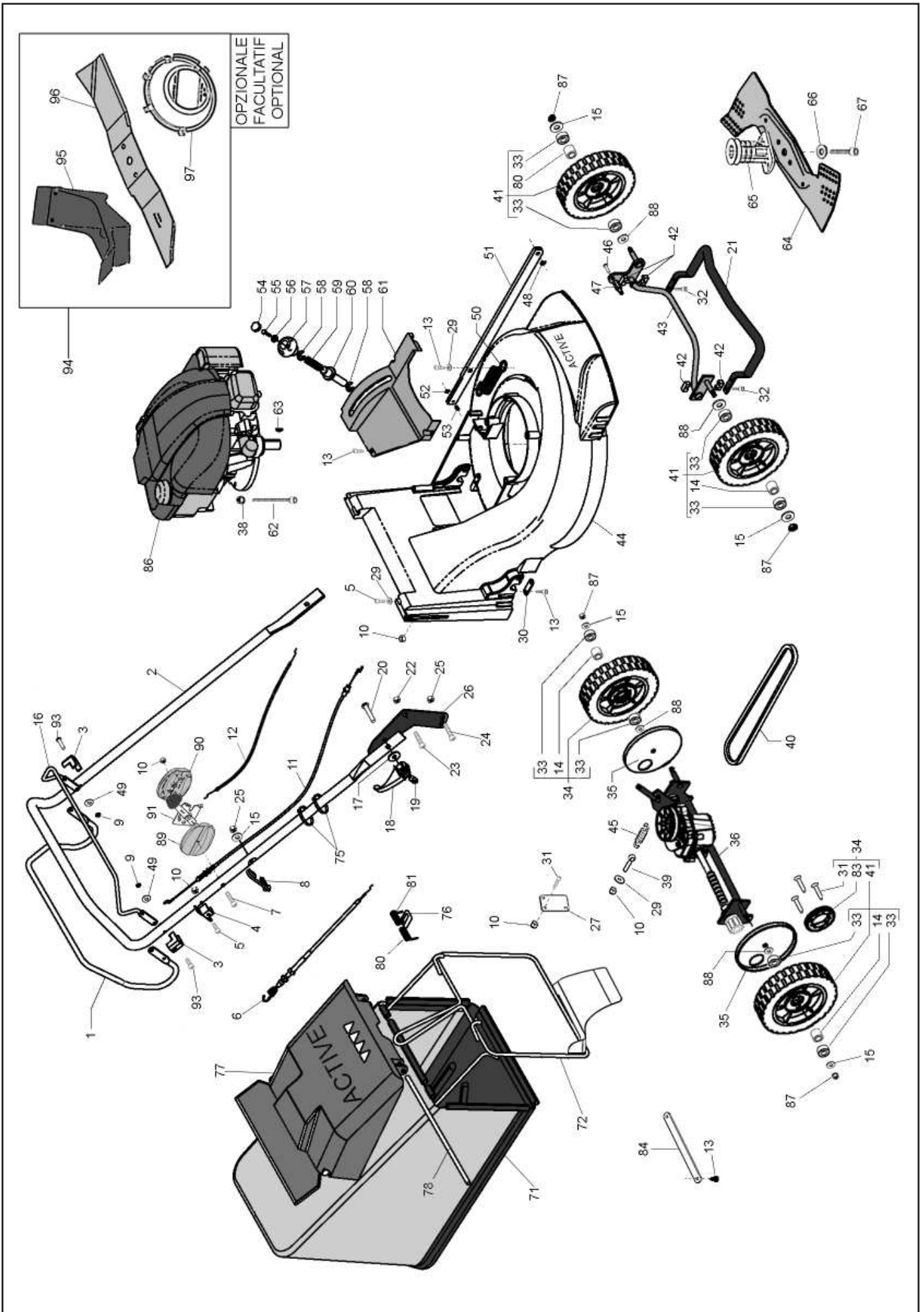


50003 Trasmissione - Transmission - Transmission

RIF. REF.	COD. N° / P P / N°	Q.	DESCRIZIONE - DESCRIPTION	RIF. REF.	COD. N° / P P / N°	Q.	DESCRIZIONE - DESCRIPTION
1	50120	1	ASSALE - AXE - AXLE	21	50528	1	PIGNONE - PIGNON - PINION (DX)
2	50647	1	ALBERO - ARBRE - SHAFT	22	50109	1	PROTEZIONE - PROTECTION - GUARD
3	50606	1	SCATOLA - BOITE - BOX	23	50295	1	SPINA ELAST. - GOUPILLES - ELAST.PIN
4	50229	1	COPERCHIO - COUVERTURE - COVER	24	50706	10	DISCO - DISK
5	50321	1	GUARNIZIONE - JOINT - GASKET	25	50707	10	DISCO - DISK
6	20001	4	VITE - VIS - SCREW	26	50519	1	DADO - ECROU - NUT
7	50524	1	VITE S.F. - VIS - SCREW	27	50255	1	LEVA - LEVIER - LEVER
8	50298	1	SPINA ELAST. - GOUPILLES - ELAST.PIN	28	50310	1	MOLLA - RESSORT - SPRING
9	50216	1	PULEGGIA - PUOLIE - PULLEY (Ø71)	29	22511	2	CUSCINETTO - ROULEMENT - BEARING
10	50281	1	ASSIEME CAMPANA - TAMBOUR - DRUM	30	50320	3	ANELLO DI TENUTA - JOINT - SEAL
11	50303	1	RONDELLA - RONDELLE - WASHER	31	50540	2	BUSSOLA - ENTRETOISE - SPACER
12	50521	1	CUSCINETTO - ROULEMENT - BEARING	32	50541	2	BUSSOLA - ENTRETOISE - SPACER
13	50261	3	RONDELLA - RONDELLE - WASHER	33	20324	1	O-RING
14	50522	1	CUSCINETTO - ROULEMENT - BEARING	34	50179	1	LEVA - LEVIER - LEVER
15	50678	4	RASAMENTO - RONDELLE - WASHER SHIMS	35	50772	1	RONDELLA - RONDELLE - WASHER
16	50546	1	LEVA - LEVIER - LEVER	36	50771	1	VITE - VIS - SCREW
17	20218	4	SEEGER	37	50284	1	BUSSOLA - ENTRETOISE - SPACER
18	50186	2	PROTEZIONE - PROTECTION - GUARD	38	50342	1	BUSSOLA - ENTRETOISE - SPACER
19	50188	2	CHIAVETTA - CLAVETTE - KEY	39	50341	1	BUSSOLA - ENTRETOISE - SPACER
20	50527	1	PIGNONE - PIGNON - PINION (SX)	40	50738	1	STAFFA - PALIER - BRACKET

NOTE - NOTES

Rasaerba - Tondeuses - Lawn mowers (5400 SH)



Rasaerba - Tondeuses - Lawn mowers (5400 SH)

RIF.	COD.	Q.	DESCRIZIONE - DESCRIPTION	RIF.	COD.	Q.	DESCRIZIONE - DESCRIPTION
REF.	N° / P P / N°			REF.	N° / P P / N°		
1	50177	1	MANIGLIA - POIGNEE - HANDLE	46	22798	1	VITE - VIS - SCREW
2	50380	1	MANUBRIO - MANCHERON - UPPER HANDLE	47	50036	1	PERNO - PIVOT - PIN
3	50558	2	STAFFA - ETRIER - STIRRUP	48	50643	1	SEGEER
4	50206	1	STAFFA - PALIER - BRACKET	49	21139	6	RONDELLA - RONDELLE - WASHER
5	40092	3	VITE - VIS - SCREW	50	50119	1	MOLLA - RESSORT - SPRING
6	50383	1	CAVO - CABLE (Trazione - Traction)	51	50376	1	ASTA - TIGE DE LIAISON - CONNECTION ROD
7	20190	1	VITE - VIS - SCREW	52	20087	1	SEGEER
8	50105	1	GUIDA ZONE START - MANCHERON - HANDLE	53	50114	1	PERNO - PIVOT - PIN
9	31216	2	DADO - ECROU - NUT	54	50118	1	TAPPO - BOUCHON - PLUG
10	20176	5	DADO - ECROU - NUT	55	35803	1	VITE - VIS - SCREW
11	50095	1	CAVO - CABLE (Freno - Brake)	56	20316	1	RONDELLA - RONDELLE - WASHER
12	50069	1	CAVO - CABLE (Gas)	57	50117	1	IMPUGNATURA - POIGNEE GUIDON - HANDLE
13	50645	11	VITE - VIS - SCREW	58	50674	2	SEGEER
14	50544	4	DISTANZIALE - ENTRETOISE - SPACER	59	50309	1	MOLLA - RESSORT - SPRING
15	20711	4	RONDELLA - RONDELLE - WASHER	60	50116	1	BUSSOLA - ANNEAU - SPACER
16	50175	1	MANIGLIA - POIGNEE - HANDLE	61	50389	1	CARTERINO - COUVERCLE - COVER
17	21686	2	RONDELLA - RONDELLE - WASHER	62	50642	4	VITE - VIS - SCREW
18	50127	2	LEVA - LEVIER - LEVER	63	50306	1	CHIAVETTA - CLAVETTE - KEY
19	50101	2	PERNO - PIVOT - PIN	64	50401	1	LAMA - LAME - BLADE (51 cm)
20	50639	2	VITE - VIS - SCREW	65	50608	1	MOZZO - MOYEUR - HUB (Ø25)
21	50394	1	PROTEZIONE - PROTECTION - GUARD	66	50538	1	RONDELLA - RONDELLE - WASHER
22	20317	2	DADO - ECROU - NUT	67	50641	1	VITE - VIS - SCREW
23	40379	2	VITE - VIS - SCREW	71	50398	1	TELA - TOILE - CANVAS (Verde - Green)
24	50757	2	VITE - VIS - SCREW		50725		TELA - TOILE - CANVAS (Nera - Black)
25	20788	6	DADO - ECROU - NUT	72	50742	1	TELAIO - CHASSIS - FRAME
26	50123	2	PIASTRA - PLAQUE - PLATE	75	50314	2	FASCETTA - CLIP
27	50447	1	PIASTRA - PLAQUE - PLATE	76	50018	1	IMPUGNATURA - POIGNEE GUIDON - HANDLE
29	40151	4	RONDELLA - RONDELLE - WASHER	77	50396	1	DEFLETTORE - DEFLECTEUR - DEFLECTOR
30	50042	2	PIASTRA - PLAQUE - PLATE	78	50382	1	PERNO - PIVOT - PIN
31	20328	7	VITE - VIS - SCREW	80	50023	1	MOLLA - RESSORT - SPRING (DX)
32	50646	4	VITE - VIS - SCREW	81	50618	1	MOLLA - RESSORT - SPRING (SX)
33	50667	8	CUSCINETTO - ROULEMENT - BEARING	83	50529	2	CORONA - COURONNE - CROWN
34	50684	2	KIT: RUOTA - ROUE - WHEEL (POST.)	84	50629	1	PIASTRA - PLAQUE - PLATE
35	50174	2	PARAPOLVERE - PROTECTION - GUARD	86	50604	1	MOTORE - MOTEUR - ENGINE
36	50955	1	KIT: TRASMISSIONE - BOITE DE VIT. - GEARBOX	87	50663	4	DADO - ECROU - NUT
38	50666	4	DADO - ECROU - NUT	88	20790	6	RONDELLA - RONDELLE - WASHER
39	50755	1	TIRANTE - TIRAGE - STAY BAR	89	50104	1	CARTER (DX)
40	50883	1	CINGHIA - COURROIE - BELT	90	50103	1	CARTER (SX)
41	50702	4	RUOTA - ROUE - WHEEL	91	50094	1	LEVA GAS - LEVIER GAS - GAS LEVER
42	50097	4	BLOCCO - ARRET - LOCKING PLATE	93	50830	2	VITE - VIS - SCREW
43	50035	1	ASSALE - AXE - AXLE	94	50906	1	KIT MULCHING (OPTIONAL - FACULTATIF)
44	50391	1	CARTER - CAPOT - HOUSING (Rosso - Red)	95	50616	1	TAPPO MULCHING - FERMATURE - MULCHING PLUG
	50590		CARTER - CAPOT - HOUSING (Grigio - Gray)	96	50899	1	LAMA - LAME - BLADE (Mulching)
45	50756	1	MOLLA - RESSORT - SPRING	97	50891	1	CARTERINO - COUVERCLE - COVER (Mulching)

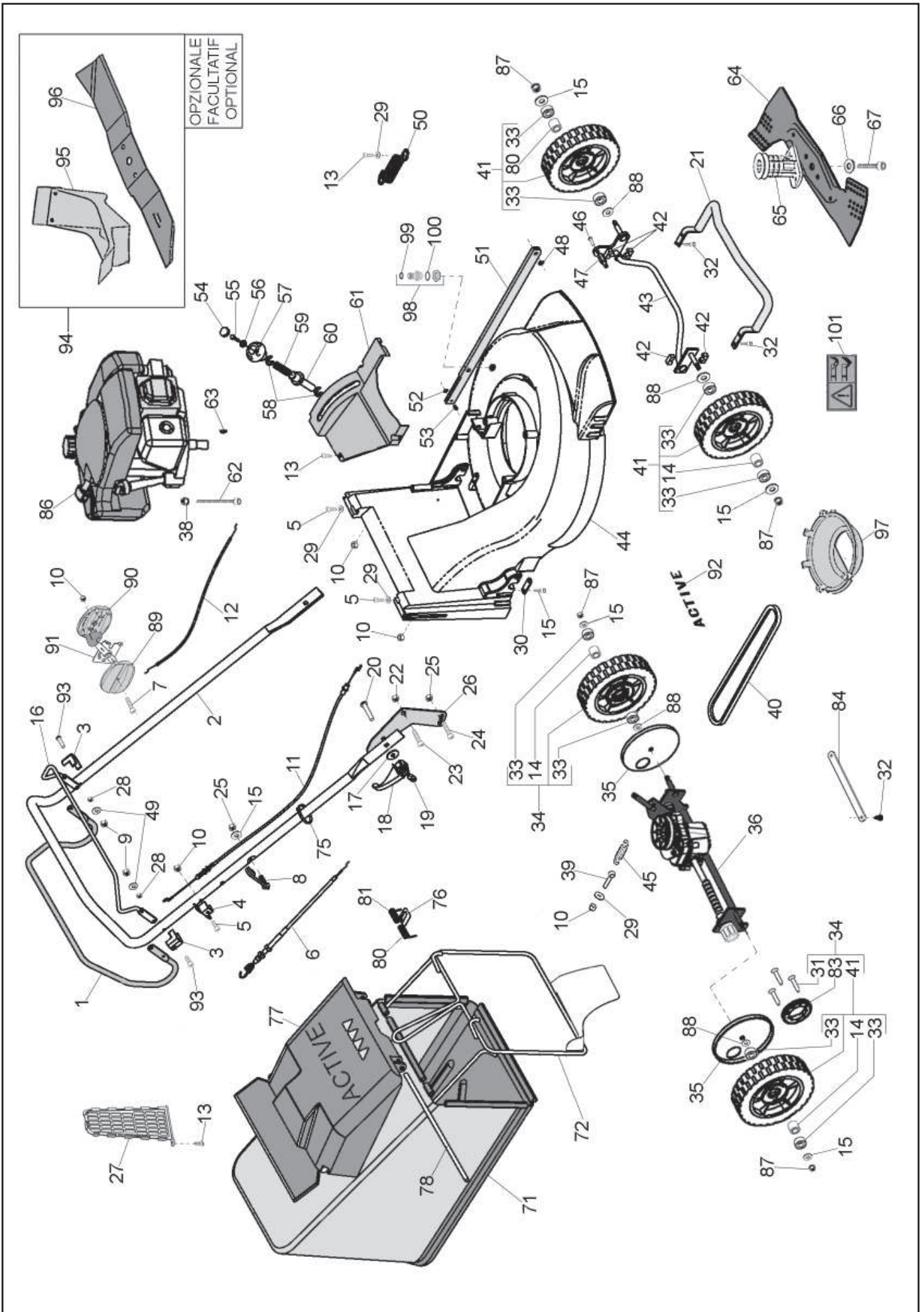
NOTE - NOTES



**Valido dal N° di serie
A partir de N° de matricule suivant
From serial N°**

54SH110001

Rasaerba - Tondeuses - Lawn mowers (5400 SH)



Rasaerba - Tondeuses - Lawn mowers (5400 SH)

RIF.	COD.	Q.	DESCRIZIONE - DESCRIPTION	RIF.	COD.	Q.	DESCRIZIONE - DESCRIPTION
REF.	N° / P P / N°			REF.	N° / P P / N°		
1	50177	1	MANIGLIA - POIGNEE - HANDLE	48	50643	1	SEGEER
2	50380	1	MANUBRIO - MANCHERON - UPPER HANDLE	49	21139	2	RONDELLA - RONDELLE - WASHER
3	50558	2	STAFFA - ETRIER - STIRRUP	50	50119	1	MOLLA - RESSORT - SPRING
4	50206	1	STAFFA - PALIER - BRACKET	51	50376	1	ASTA - TIGE DE LIAISON - CONNECTION ROD
5	40092	3	VITE - VIS - SCREW	52	20087	1	SEGEER
6	50383	1	CAVO - CABLE (Trazione - Traction)	53	50114	1	PERNO - PIVOT - PIN
7	20190	1	VITE - VIS - SCREW	54	50118	1	TAPPO - BOUCHON - PLUG
8	50105	1	GUIDA ZONE START - MANCHERON - HANDLE	55	35803	1	VITE - VIS - SCREW
9	31216	2	DADO - ECROU - NUT	56	20316	1	RONDELLA - RONDELLE - WASHER
10	20176	5	DADO - ECROU - NUT	57	50117	1	IMPUGNATURA - POIGNEE GUIDON - HANDLE
11	50095	1	CAVO - CABLE (Freno - Brake)	58	50674	2	SEGEER
12	50069	1	CAVO - CABLE (Gas)	59	50309	1	MOLLA - RESSORT - SPRING
13	50645	9	VITE - VIS - SCREW	60	50116	1	BUSSOLA - ANNEAU - SPACER
14	50544	4	DISTANZIALE - ENTRETOISE - SPACER	61	50389	1	CARTERINO - COUVERCLE - COVER
15	20711	5	RONDELLA - RONDELLE - WASHER	62	50642	4	VITE - VIS - SCREW
16	50175	1	MANIGLIA - POIGNEE - HANDLE	63	50306	1	CHIAVETTA - CLAVETTE - KEY
17	21686	2	RONDELLA - RONDELLE - WASHER	64	50401	1	LAMA - LAME - BLADE (51 cm)
18	50127	2	LEVA - LEVIER - LEVER	65	50608	1	MOZZO - MOYEURS - HUB (Ø25)
19	50101	2	PERNO - PIVOT - PIN	66	50538	1	RONDELLA - RONDELLE - WASHER
20	50639	2	VITE - VIS - SCREW	67	50641	1	VITE - VIS - SCREW
21	50394	1	PROTEZIONE - PROTECTION - GUARD	71	50398	1	TELA - TOILE - CANVAS (Verde - Green)
22	20317	2	DADO - ECROU - NUT		50725		TELA - TOILE - CANVAS (Nera - Black)
23	40379	2	VITE - VIS - SCREW	72	50742	1	TELAIO - CHASSIS - FRAME
24	50757	2	VITE - VIS - SCREW	75	50314	2	FASCETTA - CLIP
25	20788	3	DADO - ECROU - NUT	76	50018	1	GOMMINO - CAOUTCHOUC - RUBBER
26	50123	2	PIASTRA - PLAQUE - PLATE	77	50396	1	DEFLETTORE - DEFLECTEUR - DEFLECTOR
27	50447	1	PIASTRA - PLAQUE - PLATE	78	50382	1	PERNO - PIVOT - PIN
28	20917	2	DADO - ECROU - NUT	80	50023	1	MOLLA - RESSORT - SPRING (DX)
29	40151	4	RONDELLA - RONDELLE - WASHER	81	50618	1	MOLLA - RESSORT - SPRING (SX)
30	50042	2	PIASTRA - PLAQUE - PLATE	83	50529	2	CORONA - COURONNE - CROWN
31	20328	7	VITE - VIS - SCREW	84	50629	1	PIASTRA - PLAQUE - PLATE
32	50646	6	VITE - VIS - SCREW	86	50604	1	MOTORE - MOTEUR - ENGINE
33	50667	8	CUSCINETTO - ROULEMENT - BEARING	87	50663	4	DADO - ECROU - NUT
34	50684	2	KIT: RUOTA - ROUE - WHEEL (POST.)	88	20790	6	RONDELLA - RONDELLE - WASHER
35	50174	2	PARAPOLVERE - PROTECTION - GUARD	89	50104	1	CARTER (DX)
36	50955	1	KIT: TRASMISSIONE - BOITE DE VIT. - GEARBOX	90	50103	1	CARTER (SX)
38	50666	4	DADO - ECROU - NUT	91	50094	1	LEVA GAS - LEVIER GAS - GAS LEVER
39	50755	1	TIRANTE - TIRAGE - STAY BAR	92	50762	1	ADESIVO <i>ACTIVE</i> - MARQUE - BRAND
40	50883	1	CINGHIA - COURROIE - BELT	93	22045	2	VITE - VIS - SCREW
41	50702	4	RUOTA - ROUE - WHEEL	94	50471	1	KIT MULCHING (OPTIONAL - FACULTATIF)
42	50097	4	BLOCCO - ARRET - LOCKING PLATE	95	50616	1	TAPPO MULCHING - FERMATURE - MULCHING PLUG
43	50035	1	ASSALE - AXE - AXLE	96	50899	1	LAMA - LAME - BLADE (Mulching)
44	50391	1	CARTER - CAPOT - HOUSING (Rosso - Red)	97	50891	1	CARTERINO - COUVERCLE - COVER (Mulching)
	50590	1	CARTER - CAPOT - HOUSING (Grigio - Gray)	98	50209	1	ATTACCO ACQUA - RACCORDEMENT à L'EAU - WATER CONNECTION
45	50756	1	MOLLA - RESSORT - SPRING	99	23755	1	GOMMINO - CAOUTCHOUC - RUBBER
46	22798	1	VITE - VIS - SCREW	100	23758	1	GOMMINO - CAOUTCHOUC - RUBBER
47	50036	1	PERNO - PIVOT - PIN	101	50909	1	ADESIVO - ADHESIF - ADHESIVE

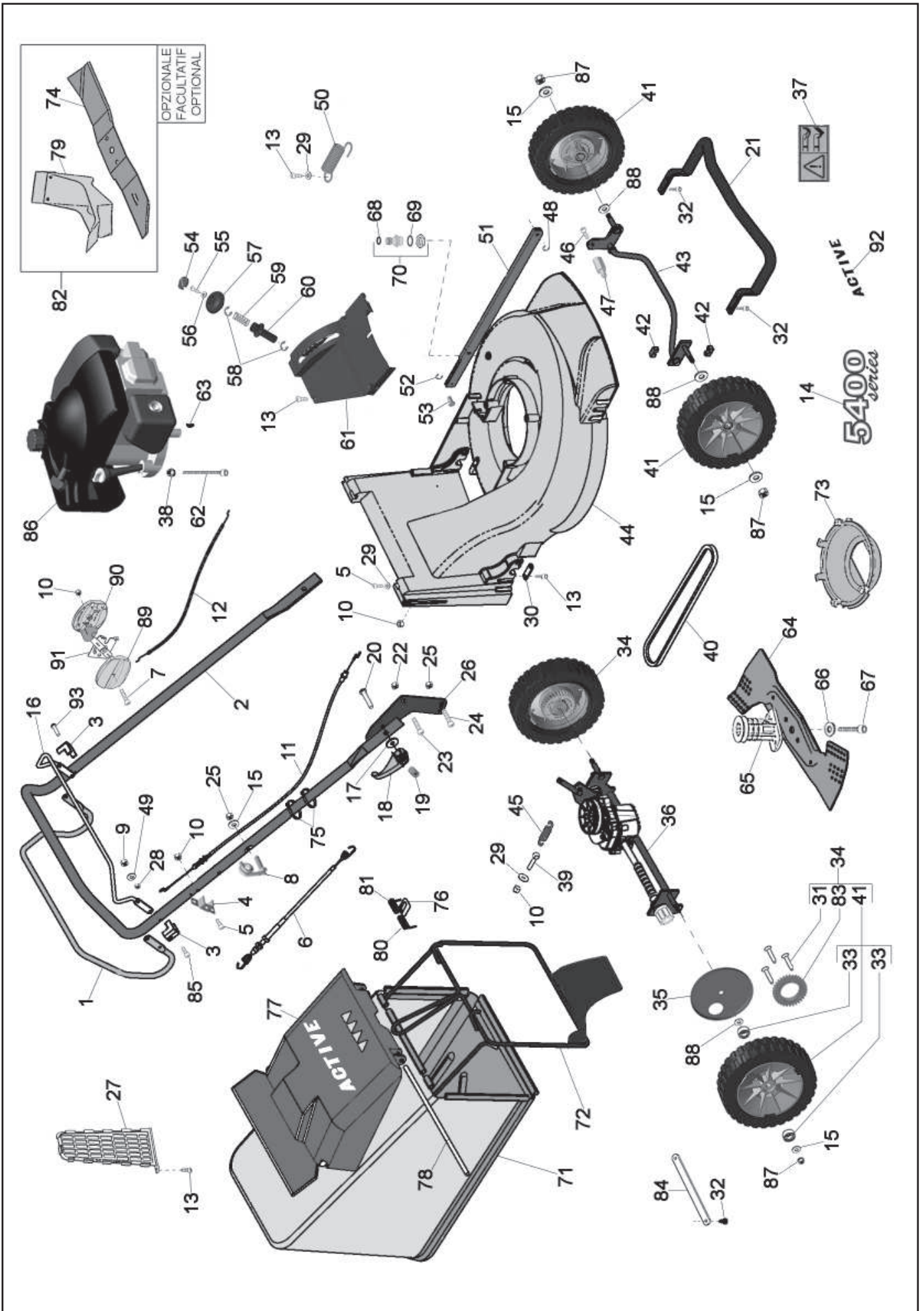
NOTE - NOTES



Valido dal N° di serie
A partir de N° de matricule suivant
From serial N°

54SH120001

Rasaerba - Tondeuses - Lawn mowers (5400 SH)



Rasaerba - Tondeuses - Lawn mowers (5400 SH)

RIF.	COD.	Q.	DESCRIZIONE - DESCRIPTION	RIF.	COD.	Q.	DESCRIZIONE - DESCRIPTION
REF.	N° / P P / N°			REF.	N° / P P / N°		
1	50177	1	MANIGLIA - POIGNEE - HANDLE	47	50036	1	PERNO - PIVOT - PIN
2	50380	1	MANUBRIO - MANCHERON - UPPER HANDLE	48	50643	1	SEGEER
3	50558	2	STAFFA - ETRIER - STIRRUP	49	21139	2	RONDELLA - RONDELLE - WASHER
4	50206	1	STAFFA - PALIER - BRACKET	50	50119	1	MOLLA - RESSORT - SPRING
5	40092	3	VITE - VIS - SCREW	51	50376	1	ASTA - TIGE DE LIAISON - CONNECTION ROD
6	50383	1	CAVO - CABLE (Trazione - Traction)	52	20087	1	SEGEER
7	20190	1	VITE - VIS - SCREW	53	50114	1	PERNO - PIVOT - PIN
8	50105	1	GUIDA ZONE START - MANCHERON - HANDLE	54	50118	1	TAPPO - BOUCHON - PLUG
9	31216	2	DADO - ECROU - NUT	55	35803	1	VITE - VIS - SCREW
10	20176	5	DADO - ECROU - NUT	56	20316	1	RONDELLA - RONDELLE - WASHER
11	50095	1	CAVO - CABLE (Freno - Brake)	57	50117	1	IMPUGNATURA - POIGNEE GUIDON - HANDLE
12	50069	1	CAVO - CABLE (Gas)	58	50674	2	SEGEER
13	50645	10	VITE - VIS - SCREW	59	50309	1	MOLLA - RESSORT - SPRING
14	50614	1	ADESIVO - MARQUE - BRAND	60	50116	1	BUSSOLA - ANNEAU - SPACER
15	20711	5	RONDELLA - RONDELLE - WASHER	61	50389	1	CARTERINO - COUVERCLE - COVER
16	50175	1	MANIGLIA - POIGNEE - HANDLE	62	50642	4	VITE - VIS - SCREW
17	21686	2	RONDELLA - RONDELLE - WASHER	63	50306	1	CHIAVETTA - CLAVETTE - KEY
18	50127	2	LEVA - LEVIER - LEVER	64	50401	1	LAMA - LAME - BLADE (51 cm)
19	50101	2	PERNO - PIVOT - PIN	65	50608	1	MOZZO - MOYEUX - HUB (Ø25)
20	50639	2	VITE - VIS - SCREW	66	50538	1	RONDELLA - RONDELLE - WASHER
21	50394	1	PROTEZIONE - PROTECTION - GUARD	67	50641	1	VITE - VIS - SCREW
22	20317	2	DADO - ECROU - NUT	68	23755	1	GOMMINO - CAOUTCHOUC - RUBBER
23	40379	2	VITE - VIS - SCREW	69	23758	1	GOMMINO - CAOUTCHOUC - RUBBER
24	50757	2	VITE - VIS - SCREW	70	50209	1	ATTACCO ACQUA - RACCORDEMENT à L'EAU - WATER CONNECTION
25	20788	3	DADO - ECROU - NUT	71	50398	1	TELA - TOILE - CANVAS (Verde - Green)
26	50123	2	PIASTRA - PLAQUE - PLATE	71	50725	1	TELA - TOILE - CANVAS (Nera - Black)
27	50686	1	RETE - GRILLE	72	50742	1	TELAIO - CHASSIS - FRAME
28	20917	2	DADO - ECROU - NUT	73	50891	1	CARTERINO - COUVERCLE - COVER (Mulching)
29	40151	4	RONDELLA - RONDELLE - WASHER	74	50899	1	LAMA - LAME - BLADE (Mulching)
30	50042	2	PIASTRA - PLAQUE - PLATE	75	50314	2	FASCETTA - CLIP
31	20328	6	VITE - VIS - SCREW	76	50018	1	GOMMINO - CAOUTCHOUC - RUBBER
32	50646	6	VITE - VIS - SCREW	77	50396	1	DEFLETTORE - DEFLECTEUR - DEFLECTOR
33	50155	8	CUSCINETTO - ROULEMENT - BEARING	78	50382	1	PERNO - PIVOT - PIN
34	50684	2	KIT: RUOTA - ROUE - WHEEL (POST.)	79	50616	1	TAPPO MULCHING - FERMATURE - MULCHING PLUG
35	50174	2	PARAPOLVERE - PROTECTION - GUARD	80	50023	1	MOLLA - RESSORT - SPRING (DX)
36	50955	1	KIT: TRASMISSIONE - BOITE DE VIT. - GEARBOX	81	50618	1	MOLLA - RESSORT - SPRING (SX)
37	50909	1	ADESIVO - ADHESIF - ADHESIVE	82	50471	1	KIT MULCHING (OPTIONAL - FACULTATIF)
38	50666	4	DADO - ECROU - NUT	83	50529	2	CORONA - COURONNE - CROWN
39	50755	1	TIRANTE - TIRAGE - STAY BAR	84	50629	1	PIASTRA - PLAQUE - PLATE
40	50883	1	CINGHIA - COURROIE - BELT	85	22045	2	VITE - VIS - SCREW
41	50702	2	RUOTA - ROUE - WHEEL	86	50604	1	MOTORE - MOTEUR - ENGINE
42	50097	4	BLOCCO - ARRET - LOCKING PLATE	87	50663	4	DADO - ECROU - NUT
43	50035	1	ASSALE - AXE - AXLE	88	20790	6	RONDELLA - RONDELLE - WASHER
44	50391	1	CARTER - CAPOT - HOUSING (Rosso - Red)	89	50104	1	CARTER (DX)
	50590	1	CARTER - CAPOT - HOUSING (Grigio - Gray)	90	50545	1	CARTER (SX)
45	50756	1	MOLLA - RESSORT - SPRING	91	50094	1	LEVA GAS - LEVIER GAS - GAS LEVER
46	22798	1	VITE - VIS - SCREW	92	50762	1	ADESIVO ACTIVE - MARQUE - BRAND

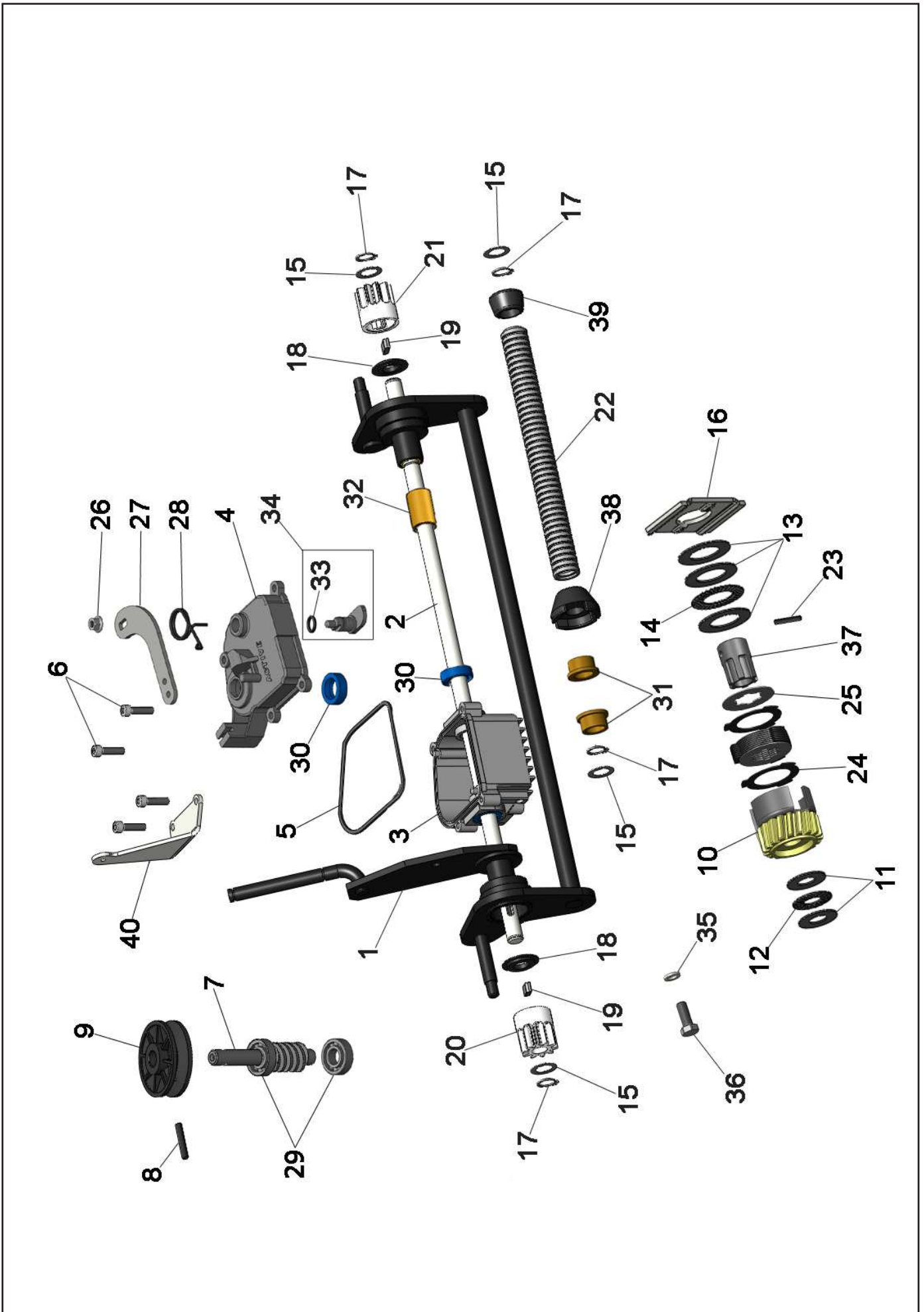
NOTE - NOTES



Valido dal N° di serie
A partir de N° de matricule suivant
From serial N°

54SH140001

50955 Trasmissione - Transmission - Transmission

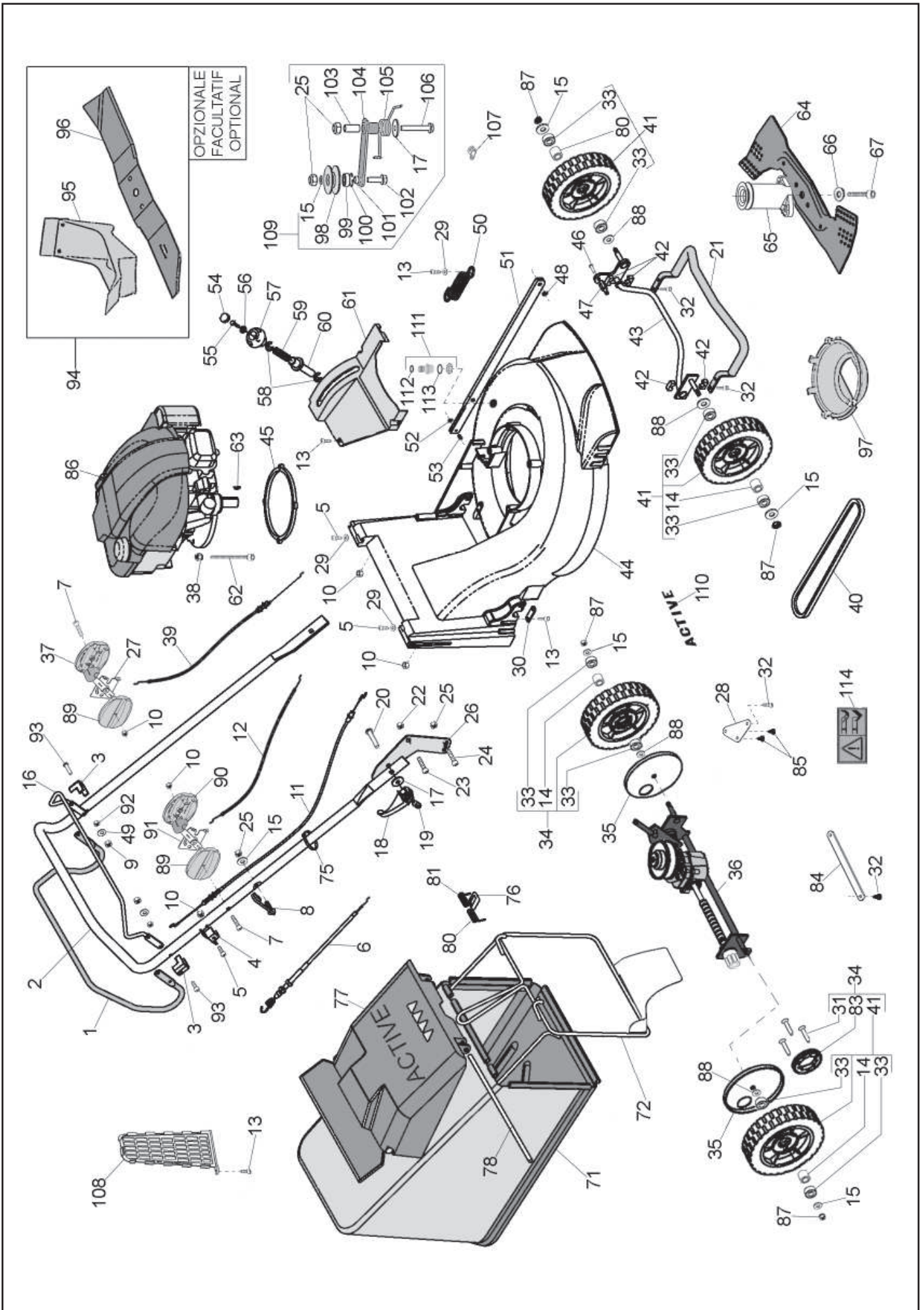


50955 Trasmissione - Transmission - Transmission

RIF. REF.	COD. N° / P P / N°	Q.	DESCRIZIONE - DESCRIPTION	RIF. REF.	COD. N° / P P / N°	Q.	DESCRIZIONE - DESCRIPTION
1	50120	1	ASSALE - AXE - AXLE	21	50528	1	PIGNONE - PIGNON - PINION (DX)
2	50647	1	ALBERO - ARBRE - SHAFT	22	50109	1	PROTEZIONE - PROTECTION - GUARD
3	50606	1	SCATOLA - BOITE - BOX	23	50295	1	SPINA ELAST. - GOUPILLES - ELAST.PIN
4	50229	1	COPERCHIO - COUVERTURE - COVER	24	50706	10	DISCO - DISK
5	50321	1	GUARNIZIONE - JOINT - GASKET	25	50707	10	DISCO - DISK
6	20001	4	VITE - VIS - SCREW	26	50519	1	DADO - ECROU - NUT
7	50524	1	VITE S.F. - VIS - SCREW	27	50255	1	LEVA - LEVIER - LEVER
8	50881	1	SPINA ELAST. - GOUPILLES - ELAST.PIN	28	50310	1	MOLLA - RESSORT - SPRING
9	50106	1	PULEGGIA - PUOLIE - PULLEY (Ø57)	29	22511	2	CUSCINETTO - ROULEMENT - BEARING
10	50281	1	ASSIEME CAMPANA - TAMBOUR - DRUM	30	50320	3	ANELLO DI TENUTA - JOINT - SEAL
11	50303	1	RONDELLA - RONDELLE - WASHER	31	50540	2	BUSSOLA - ENTRETOISE - SPACER
12	50521	1	CUSCINETTO - ROULEMENT - BEARING	32	50541	2	BUSSOLA - ENTRETOISE - SPACER
13	50261	3	RONDELLA - RONDELLE - WASHER	33	20324	1	O-RING
14	50522	1	CUSCINETTO - ROULEMENT - BEARING	34	50179	1	LEVA - LEVIER - LEVER
15	50678	4	RASAMENTO - RONDELLE - WASHER SHIMS	35	50772	1	RONDELLA - RONDELLE - WASHER
16	50546	1	LEVA - LEVIER - LEVER	36	50771	1	VITE - VIS - SCREW
17	20218	4	SEEGER	37	50284	1	BUSSOLA - ENTRETOISE - SPACER
18	50186	2	PROTEZIONE - PROTECTION - GUARD	38	50342	1	BUSSOLA - ENTRETOISE - SPACER
19	50188	2	CHIAVETTA - CLAVETTE - KEY	39	50341	1	BUSSOLA - ENTRETOISE - SPACER
20	50527	1	PIGNONE - PIGNON - PINION (SX)	40	50738	1	STAFFA - PALIER - BRACKET

NOTE - NOTES

Rasaerba - Tondeuses - Lawn mowers (5400 SVH)



Rasaerba - Tondeuses - Lawn mowers (5400 SVH)

RIF.	COD.	Q.	DESCRIZIONE - DESCRIPTION	RIF.	COD.	Q.	DESCRIZIONE - DESCRIPTION
REF.	N° / P P / N°			REF.	N° / P P / N°		
1	50177	1	MANIGLIA - POIGNEE - HANDLE	55	35803	1	VITE - VIS - SCREW
2	50380	1	MANUBRIO - MANCHERON - UPPER HANDLE	56	20316	1	RONDELLA - RONDELLE - WASHER
3	50558	2	STAFFA - PALIER - BRACKET	57	50117	1	IMPUGNATURA - POIGNEE GUIDON - HANDLE
4	50206	1	STAFFA - PALIER - BRACKET	58	50674	2	SEGEER
5	40092	3	VITE - VIS - SCREW	59	50309	1	MOLLA - RESSORT - SPRING
6	50383	1	CAVO - CABLE (Trazione - Traction)	60	50116	1	BUSSOLA - ANNEAU - SPACER
7	20190	2	VITE - VIS - SCREW	61	50389	1	CARTERINO - COUVERCLE - COVER
8	50105	1	GUIDA ZONE START - MANCHERON - HANDLE	62	40290	4	VITE - VIS - SCREW
9	31216	2	DADO - ECROU - NUT	63	50306	1	CHIAVETTA - CLAVETTE - KEY
10	20176	4	DADO - ECROU - NUT	64	50401	1	LAMA - LAME - BLADE (51 cm)
11	50095	1	CAVO - CABLE (Freno - Brake)	65	50251	1	MOZZO - MOYEUX - HUB (Ø25)
12	50069	1	CAVO - CABLE (Gas)	66	50538	1	RONDELLA - RONDELLE - WASHER
13	50645	9	VITE - VIS - SCREW	67	50871	1	VITE - VIS - SCREW
14	50544	4	DISTANZIALE - ENTRETOISE - SPACER	71	50398	1	TELA - TOILE - CANVAS (Verde - Green)
15	20711	6	RONDELLA - RONDELLE - WASHER		50725		TELA - TOILE - CANVAS (Nera - Black)
16	50175	1	MANIGLIA - POIGNEE - HANDLE	72	50742	1	TELAIO - CHASSIS - FRAME
17	21686	3	RONDELLA - RONDELLE - WASHER	75	50314	2	FASCETTA - CLIP
18	50127	2	LEVA - LEVIER - LEVER	76	50018	1	GOMMINO - CAOUTCHOUC - RUBBER
19	50101	2	PERNO - PIVOT - PIN	77	50396	1	DEFLETTORE - DEFLECTEUR - DEFLECTOR
20	50639	2	VITE - VIS - SCREW	78	50382	1	PERNO - PIVOT - PIN
21	50394	1	PROTEZIONE - PROTECTION - GUARD	80	50023	1	MOLLA - RESSORT - SPRING (DX)
22	20317	2	DADO - ECROU - NUT	81	50618	1	MOLLA - RESSORT - SPRING (SX)
23	40379	2	VITE - VIS - SCREW	83	50529	2	CORONA - COURONNE - CROWN
24	50757	2	VITE - VIS - SCREW	84	50629	1	PIASTRA - PLAQUE - PLATE
25	20788	5	DADO - ECROU - NUT	85	20272	1	VITE - VIS - SCREW
26	50123	2	PIASTRA - PLAQUE - PLATE	86	50604	1	MOTORE - MOTEUR - ENGINE
27	50866	1	LEVA - LEVIER - LEVER	87	50663	4	DADO - ECROU - NUT
28	50736	1	PIASTRA - PLAQUE - PLATE	88	20790	6	RONDELLA - RONDELLE - WASHER
29	40151	3	RONDELLA - RONDELLE - WASHER	89	50104	2	CARTER (DX)
30	50042	2	PIASTRA - PLAQUE - PLATE	90	50103	1	CARTER (SX)
31	20328	6	VITE - VIS - SCREW	91	50094	1	LEVA GAS - LEVIER GAS - GAS LEVER
32	50646	7	VITE - VIS - SCREW	92	20917	2	DADO - ECROU - NUT
33	50667	8	CUSCINETTO - ROULEMENT - BEARING	93	22045	2	VITE - VIS - SCREW
34	50684	2	KIT: RUOTA - ROUE - WHEEL (POST.)	94	50471	1	KIT MULCHING (OPTIONAL - FACULTATIF)
35	50174	2	PARAPOLVERE - PROTECTION - GUARD	95	50616	1	TAPPO MULCHING - FERMATURE - MULCHING PLUG
36	50963	1	KIT: TRASMISSIONE - BOITE DE VIT. - GEARBOX	96	50899	1	LAMA - LAME - BLADE (Mulching)
37	50836	1	CARTER (SX variatore)	97	50891	1	CARTERINO - COUVERCLE - COVER
38	50666	4	DADO - ECROU - NUT	98	50262	1	PULEGGIA - POULIE - PULLEY
39	50833	1	CAVO - CABLE (Variatore)	99	22682	1	CUSCINETTO - ROULEMENT - BEARING
40	50324	1	CINGHIA - COURROIE - BELT	100	50315	1	SEGEER
41	50702	4	RUOTA - ROUE - WHEEL	101	50337	1	BUSSOLA - ANNEAU - SPACER
42	50097	4	BLOCCO - ARRET - LOCKING PLATE	102	40370	1	VITE - VIS - SCREW
43	50035	1	ASSALE - AXE - AXLE	103	50254	1	BUSSOLA - ANNEAU - SPACER
44	50391	1	CARTER - CAPOT - HOUSING (Rosso - Red)	104	50115	1	LEVA - LEVIER - LEVER
	50590	1	CARTER - CAPOT - HOUSING (Grigio - Gray)	105	50319	1	MOLLA - RESSORT - SPRING
45	50704	1	FLANGIA - FLASQUE - FLANGE	106	40392	1	VITE - VIS - SCREW
46	22798	1	VITE - VIS - SCREW	107	36268	1	STAFFA - PALIER - BRACKET
47	50036	1	PERNO - PIVOT - PIN	108	50686	1	RETE - GRILLE
48	50643	1	SEGEER	109	50814	1	KIT : GALOPPINO - TENDEUR - TENSIONER
49	21139	6	RONDELLA - RONDELLE - WASHER	110	50762	1	ADESIVO ACTIVE - MARQUE - BRAND
50	50119	1	MOLLA - RESSORT - SPRING	111	50209	1	ATTACCO ACQUA - RACCORDEMENT à L'EAU - WATER CONNECTION
51	50376	1	ASTA - TIGE DE LIAISON - CONNECTION ROD	112	23755	1	GOMMINO - CAOUTCHOUC - RUBBER
52	20087	1	SEGEER	113	23758	1	GOMMINO - CAOUTCHOUC - RUBBER
53	50114	1	PERNO - PIVOT - PIN	114	50909	1	ADESIVO - ADHESIF - ADHESIVE
54	50118	1	TAPPO - BOUCHON - PLUG				

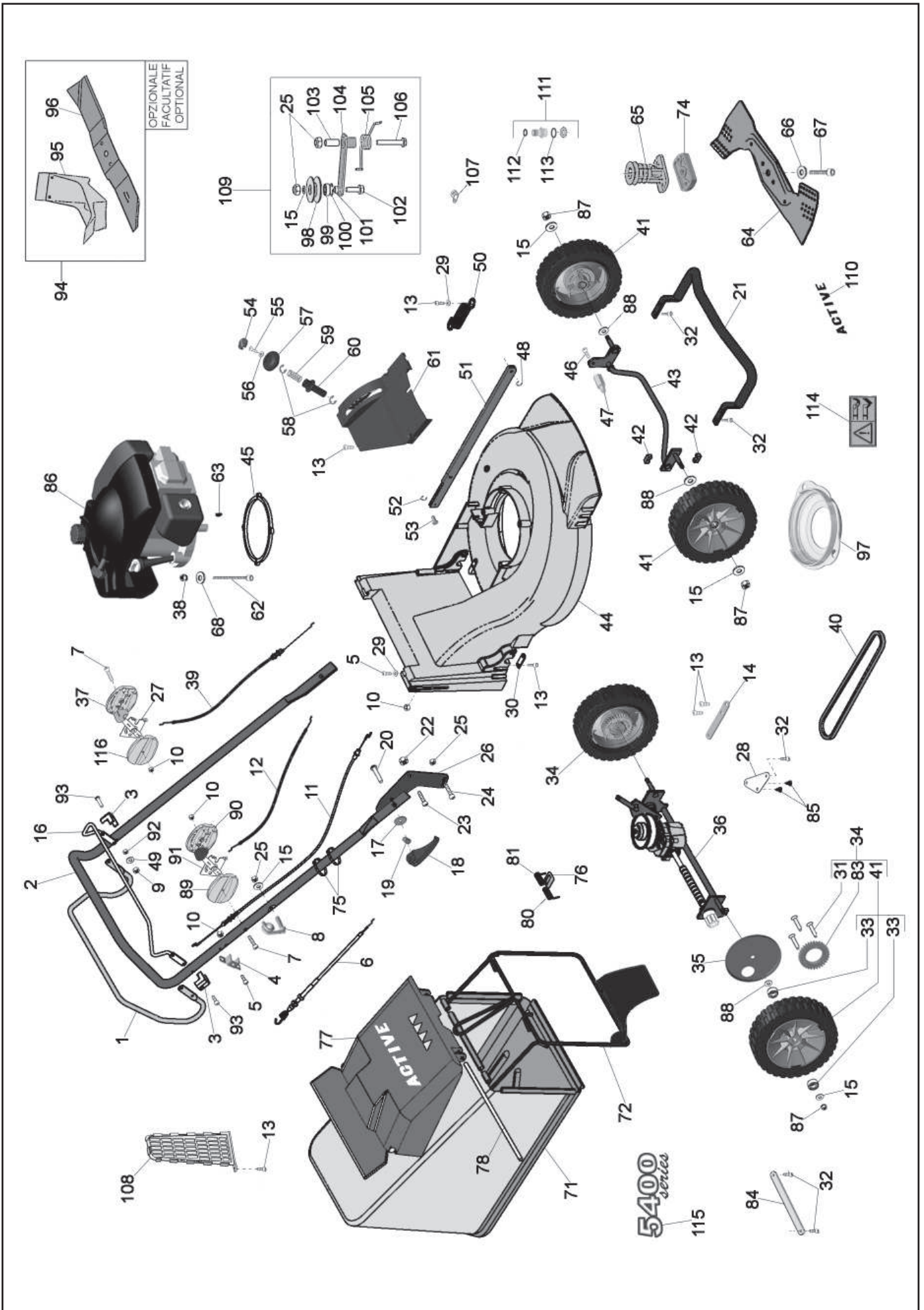
NOTE - NOTES



Valido dal N° di serie
A partir de N° de matricule suivant
From serial N°

54VH120001

Rasaerba - Tondeuses - Lawn mowers (5400 SVH)



Rasaerba - Tondeuses - Lawn mowers (5400 SVH)

RIF.	COD.	Q.	DESCRIZIONE - DESCRIPTION	RIF.	COD.	Q.	DESCRIZIONE - DESCRIPTION
REF.	N° / P / N°			REF.	N° / P / N°		
1	50177	1	MANIGLIA - POIGNEE - HANDLE	57	50117	1	IMPUGNATURA - POIGNEE GUIDON - HANDLE
2	50380	1	MANUBRIO - MANCHERON - UPPER HANDLE	58	50674	2	SEGEER
3	50558	2	STAFFA - PALIER - BRACKET	59	50309	1	MOLLA - RESSORT - SPRING
4	50206	1	STAFFA - PALIER - BRACKET	60	50116	1	BUSSOLA - ANNEAU - SPACER
5	40092	3	VITE - VIS - SCREW	61	50389	1	CARTERINO - COUVERCLE - COVER
6	50383	1	CAVO - CABLE (Trazione - Traction)	62	40290	4	VITE - VIS - SCREW
7	20190	2	VITE - VIS - SCREW	63	50306	1	CHIAVETTA - CLAVETTE - KEY
8	50105	1	GUIDA ZONE START - MANCHERON - HANDLE	64	50401	1	LAMA - LAME - BLADE (51 cm)
9	31216	2	DADO - ECROU - NUT	65	50608	1	MOZZO - MOYEURS - HUB (Ø25)
10	20176	5	DADO - ECROU - NUT	66	50538	1	RONDELLA - RONDELLE - WASHER
11	50095	1	CAVO - CABLE (Freno - Brake)	67	50871	1	VITE - VIS - SCREW
12	50069	1	CAVO - CABLE (Gas)	68	40229	2	RONDELLA - RONDELLE - WASHER
13	50645	12	VITE - VIS - SCREW	71	50398	1	TELA - TOILE - CANVAS (Verde - Green)
14	50595	1	PIASTRA - PLAQUE - PLATE		50725		TELA - TOILE - CANVAS (Nera - Black)
15	20711	6	RONDELLA - RONDELLE - WASHER	72	50742	1	TELAIO - CHASSIS - FRAME
16	50175	1	MANIGLIA - POIGNEE - HANDLE	74	50348	1	DISTANZIALE - ENTRETOISE - SPACER
17	21686	2	RONDELLA - RONDELLE - WASHER	75	50314	2	FASCETTA - CLIP
18	50127	2	LEVA - LEVIER - LEVER	76	50018	1	GOMMINO - CAOUTCHOUC - RUBBER
19	50101	2	PERNO - PIVOT - PIN	77	50396	1	DEFLETTORE - DEFLECTEUR - DEFLECTOR
20	50639	2	VITE - VIS - SCREW	78	50382	1	PERNO - PIVOT - PIN
21	50394	1	PROTEZIONE - PROTECTION - GUARD	80	50023	1	MOLLA - RESSORT - SPRING (DX)
22	20317	2	DADO - ECROU - NUT	81	50618	1	MOLLA - RESSORT - SPRING (SX)
23	40379	2	VITE - VIS - SCREW	83	50529	2	CORONA - COURONNE - CROWN
24	50757	2	VITE - VIS - SCREW	84	50629	1	PIASTRA - PLAQUE - PLATE
25	20788	5	DADO - ECROU - NUT	85	20272	2	VITE - VIS - SCREW
26	50123	2	PIASTRA - PLAQUE - PLATE	86	50604	1	MOTORE - MOTEUR - ENGINE
27	50866	1	LEVA - LEVIER - LEVER	87	50663	4	DADO - ECROU - NUT
28	50736	1	PIASTRA - PLAQUE - PLATE	88	20790	6	RONDELLA - RONDELLE - WASHER
29	40151	3	RONDELLA - RONDELLE - WASHER	89	50104	1	CARTER (DX)
30	50042	2	PIASTRA - PLAQUE - PLATE	90	50545	1	CARTER (SX)
31	20328	6	VITE - VIS - SCREW	91	50094	1	LEVA GAS - LEVIER GAS - GAS LEVER
32	50646	7	VITE - VIS - SCREW	92	20917	2	DADO - ECROU - NUT
33	50155	8	CUSCINETTO - ROULEMENT - BEARING	93	22045	2	VITE - VIS - SCREW
34	50684	2	KIT: RUOTA - ROUE - WHEEL (POST.)	94	50471	1	KIT MULCHING (OPTIONAL - FACULTATIF)
35	50174	2	PARAPOLVERE - PROTECTION - GUARD	95	50616	1	TAPPO MULCHING - FERMATURE - MULCHING PLUG
36	50963	1	KIT: TRASMISSIONE - BOITE DE VIT. - GEARBOX	96	50899	1	LAMA - LAME - BLADE (Mulching)
37	50836	1	CARTER (SX variatore)	97	50063	1	CARTERINO - COUVERCLE - COVER
38	50666	4	DADO - ECROU - NUT	98	50262	1	PULEGGIA - POULIE - PULLEY
39	50833	1	CAVO - CABLE (Variatore)	99	22682	1	CUSCINETTO - ROULEMENT - BEARING
40	50324	1	CINGHIA - COURROIE - BELT	100	50315	1	SEGEER
41	50702	2	RUOTA - ROUE - WHEEL	101	50337	1	BUSSOLA - ANNEAU - SPACER
42	50097	4	BLOCCO - ARRET - LOCKING PLATE	102	40005	1	VITE - VIS - SCREW
43	50035	1	ASSALE - AXE - AXLE	103	50254	1	BUSSOLA - ANNEAU - SPACER
44	50391	1	CARTER - CAPOT - HOUSING (Rosso - Red)	104	50115	1	LEVA - LEVIER - LEVER
	50590	1	CARTER - CAPOT - HOUSING (Grigio - Gray)	105	50319	1	MOLLA - RESSORT - SPRING
45	50704	1	FLANGIA - FLASQUE - FLANGE	106	40376	1	VITE - VIS - SCREW
46	22798	1	VITE - VIS - SCREW	107	36268	1	STAFFA - PALIER - BRACKET
47	50036	1	PERNO - PIVOT - PIN	108	50686	1	RETE - GRILLE
48	50643	1	SEGEER	109	50814	1	KIT : GALOPPINO - TENDEUR - TENSIONER
49	21139	2	RONDELLA - RONDELLE - WASHER	110	50762	1	ADESIVO <i>ACTIVE</i> - MARQUE - BRAND
50	50119	1	MOLLA - RESSORT - SPRING	111	50209	1	ATTACCO ACQUA - RACCORDEMENT à L'EAU - WATER CONNECTION
51	50376	1	ASTA - TIGE DE LIAISON - CONNECTION ROD	112	23755	1	GOMMINO - CAOUTCHOUC - RUBBER
52	20087	1	SEGEER	113	23758	1	GOMMINO - CAOUTCHOUC - RUBBER
53	50114	1	PERNO - PIVOT - PIN	114	50909	1	ADESIVO - ADHESIF - ADHESIVE
54	50118	1	TAPPO - BOUCHON - PLUG	115	50614	1	ADESIVO - ADHESIF - ADHESIVE
55	35803	1	VITE - VIS - SCREW	116	50210	1	CARTER (DX variatore)
56	20316	1	RONDELLA - RONDELLE - WASHER				

NOTE - NOTES

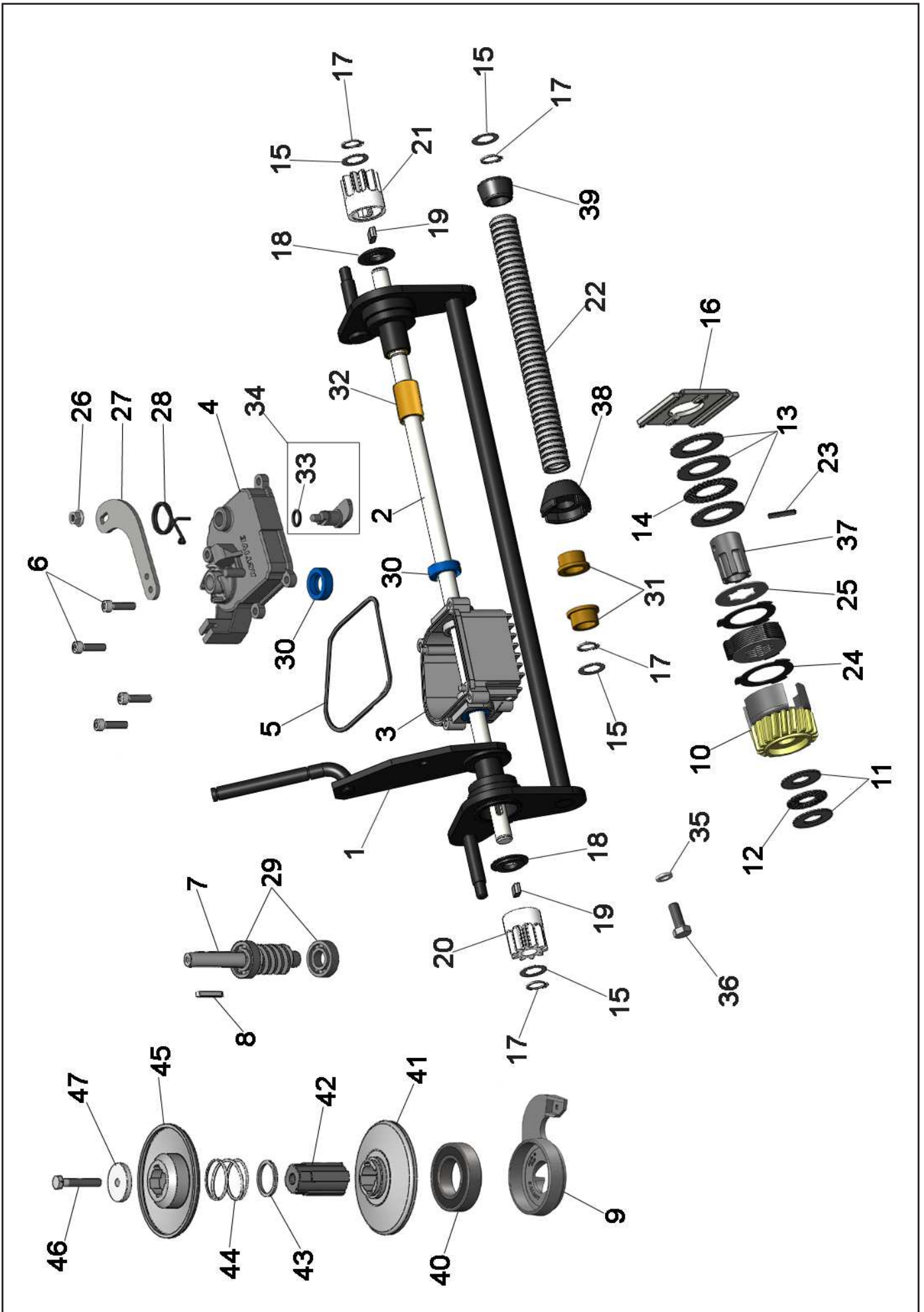


Valido dal N° di serie

A partir de N° de matricule suivant
From serial N°

54VHB140001

50963 Trasmissione - Transmission - Transmission

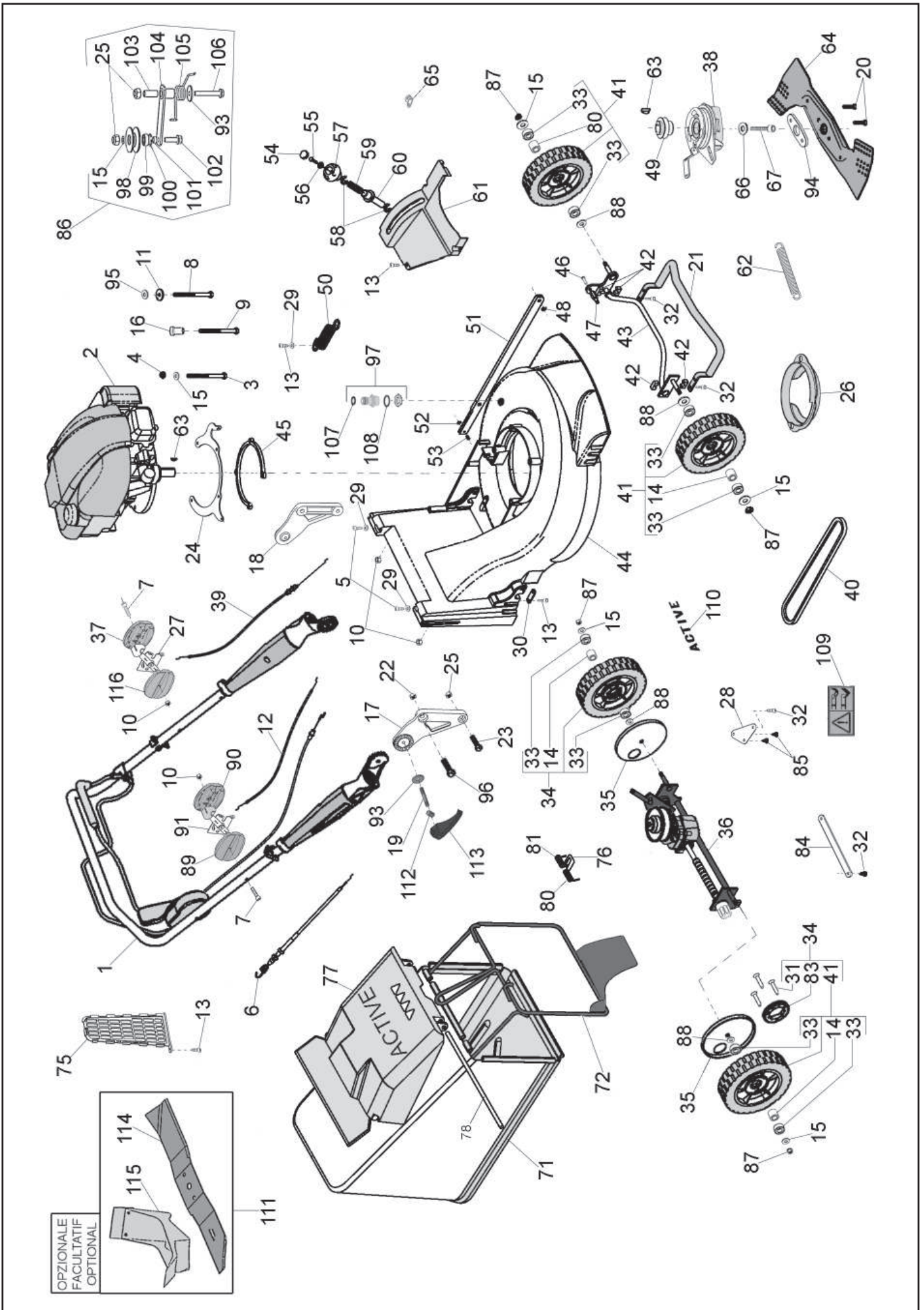


50963 Trasmissione - Transmission - Transmission

RIF. REF.	COD. N° / P P / N°	Q.	DESCRIZIONE - DESCRIPTION	RIF. REF.	COD. N° / P P / N°	Q.	DESCRIZIONE - DESCRIPTION
1	50120	1	ASSALE - AXE - AXLE	25	50707	10	DISCO - DISK
2	50647	1	ALBERO - ARBRE - SHAFT	26	50519	1	DADO - ECROU - NUT
3	50606	1	SCATOLA - BOITE - BOX	27	50255	1	LEVA - LEVIER - LEVER
4	50592	1	COPERCHIO - COUVERTURE - COVER	28	50310	1	MOLLA - RESSORT - SPRING
5	50321	1	GUARNIZIONE - JOINT - GASKET	29	22511	2	CUSCINETTO - ROULEMENT - BEARING
6	20001	4	VITE - VIS - SCREW	30	50320	3	ANELLO DI TENUTA - JOINT - SEAL
7	50525	1	VITE S.F. - VIS - SCREW	31	50540	2	BUSSOLA - ENTRETOISE - SPACER
8	50713	1	CHIAVETTA - CLAVETTE - KEY	32	50541	2	BUSSOLA - ENTRETOISE - SPACER
9	50244	1	LEVA - LEVIER - LEVER	33	20324	1	O-RING
10	50281	1	ASSIEME CAMPANA - TAMBOUR - DRUM	34	50179	1	LEVA - LEVIER - LEVER
11	50303	1	RONDELLA - RONDELLE - WASHER	35	50772	1	RONDELLA - RONDELLE - WASHER
12	50521	1	CUSCINETTO - ROULEMENT - BEARING	36	50771	1	VITE - VIS - SCREW
13	50261	3	RONDELLA - RONDELLE - WASHER	37	50284	1	BUSSOLA - ENTRETOISE - SPACER
14	50522	1	CUSCINETTO - ROULEMENT - BEARING	38	50342	1	BUSSOLA - ENTRETOISE - SPACER
15	50678	4	RASAMENTO - RONDELLE - WASHER SHIMS	39	50341	1	BUSSOLA - ENTRETOISE - SPACER
16	50546	1	LEVA - LEVIER - LEVER	40	50675	1	CUSCINETTO - ROULEMENT - BEARING
17	20218	4	SEEGER	41	50246	1	PULEGGIA - POULIE - PULLEY (inf.)
18	50186	2	PROTEZIONE - PROTECTION - GUARD	42	50248	1	PERNO - PIVOT - PIN
19	50188	2	CHIAVETTA - CLAVETTE - KEY	43	50250	1	RONDELLA - RONDELLE - WASHER
20	50527	1	PIGNONE - PIGNON - PINION (SX)	44	50312	1	MOLLA - RESSORT - SPRING
21	50528	1	PIGNONE - PIGNON - PINION (DX)	45	50247	1	PULEGGIA - POULIE - PULLEY (sup.)
22	50109	1	PROTEZIONE - PROTECTION - GUARD	46	40092	1	VITE - VIS - SCREW
23	50295	1	SPINA ELAST. - GOUPILLES - ELAST.PIN	47	50523	1	RONDELLA - RONDELLE - WASHER
24	50706	10	DISCO - DISK				

NOTE - NOTES

Rasaerba - Tondeuses - Lawn mowers (5450 SVH BBC)



Rasaerba - Tondeuses - Lawn mowers (5450 SVH BBC)

RIF.	COD.	Q.	DESCRIZIONE - DESCRIPTION	RIF.	COD.	Q.	DESCRIZIONE - DESCRIPTION
REF.	N° / P P / N°			REF.	N° / P P / N°		
1	-	1	MANUBRIO - MANCHERON - UPPER HANDLE	56	20316	1	RONDELLA - RONDELLE - WASHER
2	50280	1	MOTORE - MOTEUR - ENGINE	57	50117	1	IMPUGNATURA - POIGNEE GUIDON - HANDLE
3	40290	1	VITE - VIS - SCREW	58	50674	2	SEGEER
4	50666	1	DADO - ECROU - NUT	59	50309	1	MOLLA - RESSORT - SPRING
5	40092	2	VITE - VIS - SCREW	60	50116	1	BUSSOLA - ANNEAU - SPACER
6	50383	1	CAVO - CABLE (Trazione - Traction)	61	50389	1	CARTERINO - COUVERCLE - COVER
7	20190	2	VITE - VIS - SCREW	62	50160	1	MOLLA - RESSORT - SPRING
8	50217	2	VITE - VIS - SCREW	63	50305	2	CHIAVETTA - CLAVETTE - KEY
9	50733	1	VITE - VIS - SCREW	64	50313	1	LAMA - LAME - BLADE (51 cm)
10	20176	4	DADO - ECROU - NUT	65	36268	1	STAFFA - PALIER - BRACKET
11	40229	2	RONDELLA - RONDELLE - WASHER	66	50333	1	RONDELLA - RONDELLE - WASHER
12	50069	1	CAVO - CABLE (Gas)	67	50669	1	VITE - VIS - SCREW
13	50645	9	VITE - VIS - SCREW	71	50398	1	TELA - TOILE - CANVAS (Verde - Green)
14	50544	4	DISTANZIALE - ENTRETOISE - SPACER		50725		TELA - TOILE - CANVAS (Nera - Black)
15	20711	5	RONDELLA - RONDELLE - WASHER	72	50742	1	TELAIO - CHASSIS - FRAME
16	50041	1	BUSSOLA - ANNEAU - SPACER	75	50686	1	RETE - GRILLE
17	50102	1	STAFFA - PALIER - BRACKET (DX)	76	50018	1	GOMMINO - CAOUTCHOUC - RUBBER
18	50098	1	STAFFA - PALIER - BRACKET (SX)	77	50396	1	DEFLETTORE - DEFLECTEUR - DEFLECTOR
19	23860	2	VITE - VIS - SCREW	78	50382	1	PERNO - PIVOT - PIN
20	40654	2	VITE - VIS - SCREW	80	50023	1	MOLLA - RESSORT - SPRING (DX)
21	50394	1	PROTEZIONE - PROTECTION - GUARD	81	50618	1	MOLLA - RESSORT - SPRING (SX)
22	20317	2	DADO - ECROU - NUT	83	50529	2	CORONA - COURONNE - CROWN
23	40370	2	VITE - VIS - SCREW	84	50629	1	PIASTRA - PLAQUE - PLATE
24	50335	1	FLANGIA - FLASQUE - FLANGE	85	20272	2	VITE - VIS - SCREW
25	20788	5	DADO - ECROU - NUT	86	50814	1	KIT : GALOPPINO - TENDEUR - TENSIONER
26	50065	1	CARTERINO - COUVERCLE - COVER	87	50663	4	DADO - ECROU - NUT
27	50866	1	LEVA - LEVIER - LEVER	88	20790	6	RONDELLA - RONDELLE - WASHER
28	50736	1	PIASTRA - PLAQUE - PLATE	89	50104	1	CARTER (DX)
29	40151	3	RONDELLA - RONDELLE - WASHER	90	50103	1	CARTER (SX)
30	50042	2	PIASTRA - PLAQUE - PLATE	91	50094	1	LEVA GAS - LEVIER GAS - GAS LEVER
31	20328	6	VITE - VIS - SCREW	92	50762	1	
32	50646	7	VITE - VIS - SCREW	93	21686	2	RONDELLA - RONDELLE - WASHER
33	50667	8	CUSCINETTO - ROULEMENT - BEARING	94	50451	1	DISTANZIALE - ENTRETOISE - SPACER
34	50684	2	RUOTA - ROUE - WHEEL (POST.)	95	50753	1	RONDELLA - RONDELLE - WASHER
35	50174	2	PARAPOLVERE - PROTECTION - GUARD	96	40130	2	VITE - VIS - SCREW
36	50963	1	KIT : TRASMISSIONE - BOITE DE VIT. - GEARBOX	97	50209	1	ATTACCO ACQUA - RACCORDEMENT à L'EAU - WATER CONNECTION
37	50836	1	CARTER (SX variatore)	98	50262	1	PULEGGIA - POULIE - PULLEY
38	50304	1	BBC	99	22682	1	CUSCINETTO - ROULEMENT - BEARING
39	50833	1	CAVO - CABLE (Variatore)	100	50315	1	SEGEER
40	50324	1	CINGHIA - COURROIE - BELT	101	50337	1	BUSSOLA - ANNEAU - SPACER
41	50702	2	RUOTA - ROUE - WHEEL (ANT.)	102	40370	1	VITE - VIS - SCREW
42	50097	4	BLOCCO - ARRET - LOCKING PLATE	103	50254	1	BUSSOLA - ANNEAU - SPACER
43	50035	1	ASSALE - AXE - AXLE	104	50115	1	LEVA - LEVIER - LEVER
44	50590	1	CARTER - CAPOT - HOUSING (Grigio - Gray)	105	50319	1	MOLLA - RESSORT - SPRING
	50391	1	CARTER - CAPOT - HOUSING (Rosso - Red)	106	40392	1	VITE - VIS - SCREW
45	50704	1	FLANGIA - FLASQUE - FLANGE	107	23755	1	GOMMINO - CAOUTCHOUC - RUBBER
46	22798	1	VITE - VIS - SCREW	108	23758	1	GOMMINO - CAOUTCHOUC - RUBBER
47	50036	1	PERNO - PIVOT - PIN	109	50909	1	ADESIVO - ADHESIF - ADHESIVE
48	50643	1	SEGEER	110	50762	1	ADESIVO ACTIVE - MARQUE - BRAND
49	50331	1	PULEGGIA - POULIE - PULLEY	111	50465	1	KIT MULCHING (OPTIONAL - FACULTATIF)
50	50119	1	MOLLA - RESSORT - SPRING	112	50101	2	BUSSOLA - ANNEAU - SPACER
51	50376	1	ASTA - TIGE DE LIAISON - CONNECTION ROD	113	50127	2	LEVA - LEVIER - LEVER
52	20087	1	SEGEER	114	50464	1	LAMA - LAME - BLADE (Mulching)
53	50114	1	PERNO - PIVOT - PIN	115	50616	1	TAPPO MULCHING - FERMA TURE - MULCHING PLUG
54	50118	1	TAPPO - BOUCHON - PLUG	116	50210	1	CARTER (DX)
55	35803	1	VITE - VIS - SCREW				

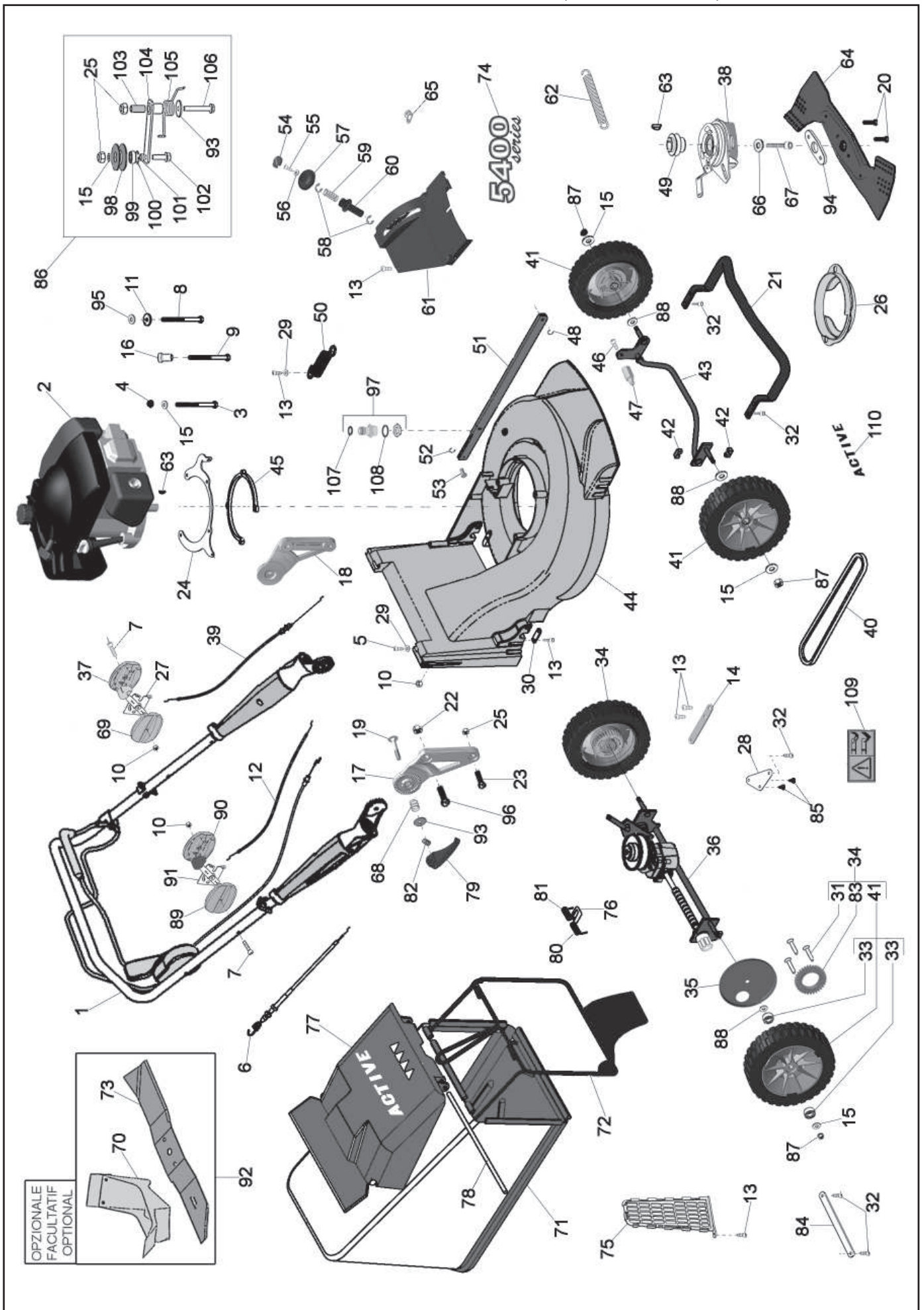
NOTE - NOTES



Valido dal N° di serie
A partir de N° de matricule suivant
From serial N°

54VHB130001

Rasaerba - Tondeuses - Lawn mowers (5450 SVH BBC)



Rasaerba - Tondeuses - Lawn mowers (5450 SVH BBC)

RIF.	COD.	Q.	DESCRIZIONE - DESCRIPTION	RIF.	COD.	Q.	DESCRIZIONE - DESCRIPTION
REF.	N° / P P / N°			REF.	N° / P P / N°		
1	-	1	MANUBRIO - MANCHERON - UPPER HANDLE	56	20316	1	RONDELLA - RONDELLE - WASHER
2	50280	1	MOTORE - MOTEUR - ENGINE	57	50117	1	IMPUGNATURA - POIGNEE GUIDON - HANDLE
3	40290	1	VITE - VIS - SCREW	58	50674	2	SEGEER
4	50666	1	DADO - ECROU - NUT	59	50309	1	MOLLA - RESSORT - SPRING
5	40092	2	VITE - VIS - SCREW	60	50116	1	BUSSOLA - ANNEAU - SPACER
6	50383	1	CAVO - CABLE (Trazione - Traction)	61	50389	1	CARTERINO - COUVERCLE - COVER
7	20190	2	VITE - VIS - SCREW	62	50160	1	MOLLA - RESSORT - SPRING
8	50217	2	VITE - VIS - SCREW	63	50305	2	CHIAVETTA - CLAVETTE - KEY
9	50733	1	VITE - VIS - SCREW	64	50313	1	LAMA - LAME - BLADE (51 cm)
10	20176	4	DADO - ECROU - NUT	65	36268	1	STAFFA - PALIER - BRACKET
11	40229	2	RONDELLA - RONDELLE - WASHER	66	50333	1	RONDELLA - RONDELLE - WASHER
12	50069	1	CAVO - CABLE (Gas)	67	50669	1	VITE - VIS - SCREW
13	50645	12	VITE - VIS - SCREW	68	41808	2	MOLLA - RESSORT - SPRING
14	50595	1	PIASTRA - PLAQUE - PLATE	69	50210	1	CARTER (DX)
15	20711	5	RONDELLA - RONDELLE - WASHER	70	50616	1	TAPPO MULCHING - FERMATURE - MULCHING PLUG
16	50041	1	BUSSOLA - ANNEAU - SPACER	71	50398	1	TELA - TOILE - CANVAS (Verde - Green)
17	50350	1	STAFFA - PALIER - BRACKET (DX)	71	50725	1	TELA - TOILE - CANVAS (Nera - Black)
18	50349	1	STAFFA - PALIER - BRACKET (SX)	72	50742	1	TELAIO - CHASSIS - FRAME
19	23578	2	VITE - VIS - SCREW	73	50464	1	LAMA - LAME - BLADE (Mulching)
20	40654	2	VITE - VIS - SCREW	74	50614	1	ADESIVO - ADHESIF - ADHESIVE
21	50394	1	PROTEZIONE - PROTECTION - GUARD	75	50686	1	RETE - GRILLE
22	20317	2	DADO - ECROU - NUT	76	50018	1	GOMMINO - CAOUTCHOUC - RUBBER
23	40370	2	VITE - VIS - SCREW	77	50396	1	DEFLETTORE - DEFLECTEUR - DEFLECTOR
24	50335	1	FLANGIA - FLASQUE - FLANGE	78	50382	1	PERNO - PIVOT - PIN
25	20788	4	DADO - ECROU - NUT	79	50127	2	LEVA - LEVIER - LEVER
26	50065	1	CARTERINO - COUVERCLE - COVER	80	50023	1	MOLLA - RESSORT - SPRING (DX)
27	50866	1	LEVA - LEVIER - LEVER	81	50618	1	MOLLA - RESSORT - SPRING (SX)
28	50736	1	PIASTRA - PLAQUE - PLATE	82	50101	2	BUSSOLA - ANNEAU - SPACER
29	40151	3	RONDELLA - RONDELLE - WASHER	83	50529	2	CORONA - COURONNE - CROWN
30	50042	2	PIASTRA - PLAQUE - PLATE	84	50629	1	PIASTRA - PLAQUE - PLATE
31	20328	6	VITE - VIS - SCREW	85	20272	2	VITE - VIS - SCREW
32	50646	7	VITE - VIS - SCREW	86	50814	1	KIT : GALOPPINO - TENDEUR - TENSIONER
33	50155	8	CUSCINETTO - ROULEMENT - BEARING	87	50663	4	DADO - ECROU - NUT
34	50684	2	RUOTA - ROUE - WHEEL (POST.)	88	20790	6	RONDELLA - RONDELLE - WASHER
35	50174	2	PARAPOLVERE - PROTECTION - GUARD	89	50104	1	CARTER (DX)
36	50963	1	KIT : TRASMISSIONE - BOITE DE VIT. - GEARBOX	90	50103	1	CARTER (SX)
37	50836	1	CARTER (SX variatore)	91	50094	1	LEVA GAS - LEVIER GAS - GAS LEVER
38	50304	1	BBC	92	50465	1	KIT MULCHING (OPTIONAL - FACULTATIF)
39	50833	1	CAVO - CABLE (Variatore)	93	21686	3	RONDELLA - RONDELLE - WASHER
40	50324	1	CINGHIA - COURROIE - BELT	94	50451	1	DISTANZIALE - ENTRETOISE - SPACER
41	50702	2	RUOTA - ROUE - WHEEL (ANT.)	95	50753	1	RONDELLA - RONDELLE - WASHER
42	50097	4	BLOCCO - ARRET - LOCKING PLATE	96	40130	2	VITE - VIS - SCREW
43	50035	1	ASSALE - AXE - AXLE	97	50209	1	ATTACCO ACQUA - RACCORDEMENT à L'EAU - WATER CONNECTION
44	50590	1	CARTER - CAPOT - HOUSING (Grigio - Gray)	98	50262	1	PULEGGIA - POULIE - PULLEY
	50391	1	CARTER - CAPOT - HOUSING (Rosso - Red)	99	22682	1	CUSCINETTO - ROULEMENT - BEARING
45	50704	1	FLANGIA - FLASQUE - FLANGE	100	50315	1	SEGEER
46	22798	1	VITE - VIS - SCREW	101	50337	1	BUSSOLA - ANNEAU - SPACER
47	50036	1	PERNO - PIVOT - PIN	102	40370	1	VITE - VIS - SCREW
48	50643	1	SEGEER	103	50254	1	BUSSOLA - ANNEAU - SPACER
49	50331	1	PULEGGIA - POULIE - PULLEY	104	50115	1	LEVA - LEVIER - LEVER
50	50119	1	MOLLA - RESSORT - SPRING	105	50319	1	MOLLA - RESSORT - SPRING
51	50376	1	ASTA - TIGE DE LIAISON - CONNECTION ROD	106	40392	1	VITE - VIS - SCREW
52	20087	1	SEGEER	107	23755	1	GOMMINO - CAOUTCHOUC - RUBBER
53	50114	1	PERNO - PIVOT - PIN	108	23758	1	GOMMINO - CAOUTCHOUC - RUBBER
54	50118	1	TAPPO - BOUCHON - PLUG	109	50909	1	ADESIVO - ADHESIF - ADHESIVE
55	35803	1	VITE - VIS - SCREW	110	50762	1	ADESIVO ACTIVE - MARQUE - BRAND

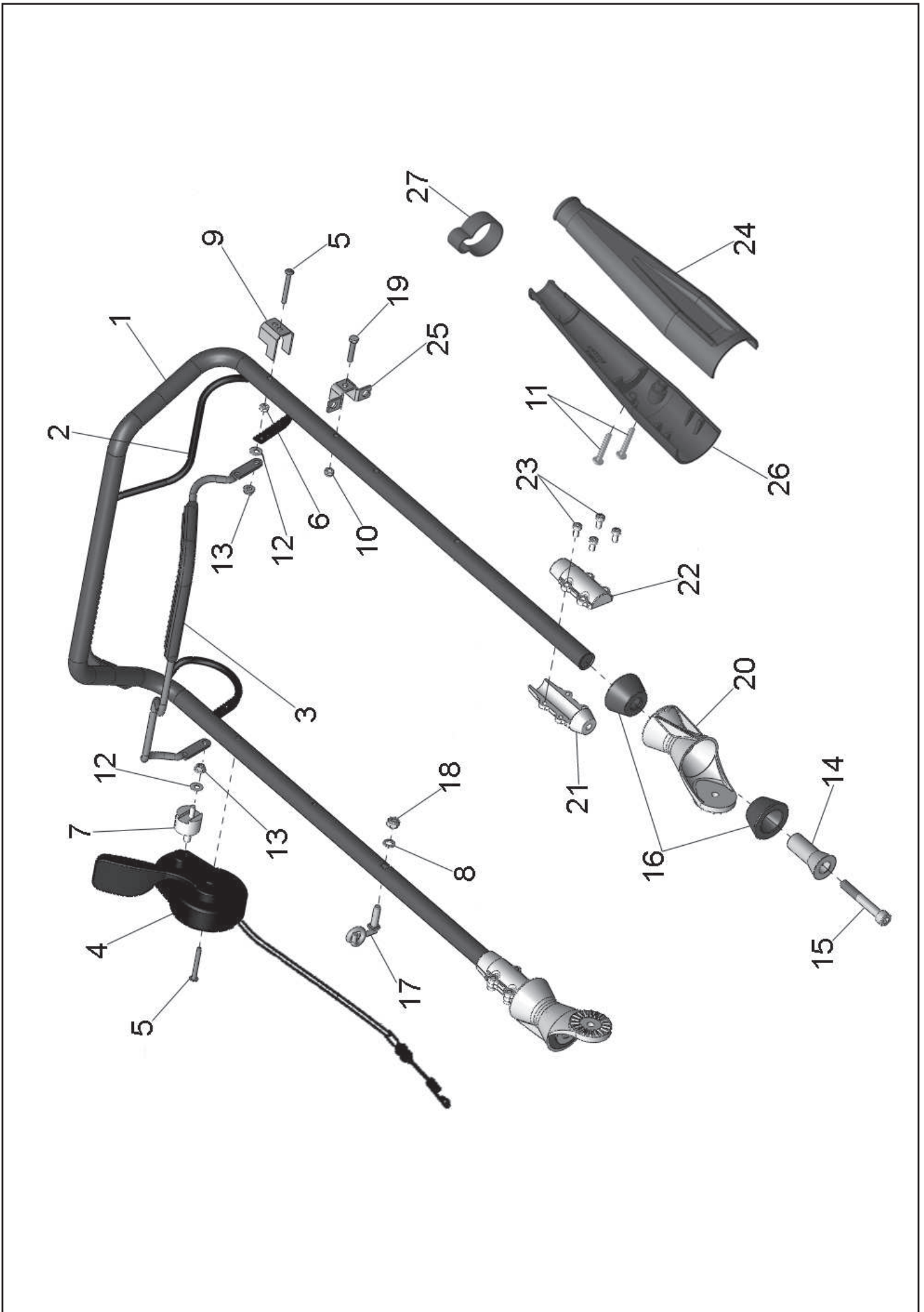
NOTE - NOTES



Valido dal N° di serie
A partir de N° de matricule suivant
From serial N°

54VHB140001

Manubrio - Mancheron - Upper Handle

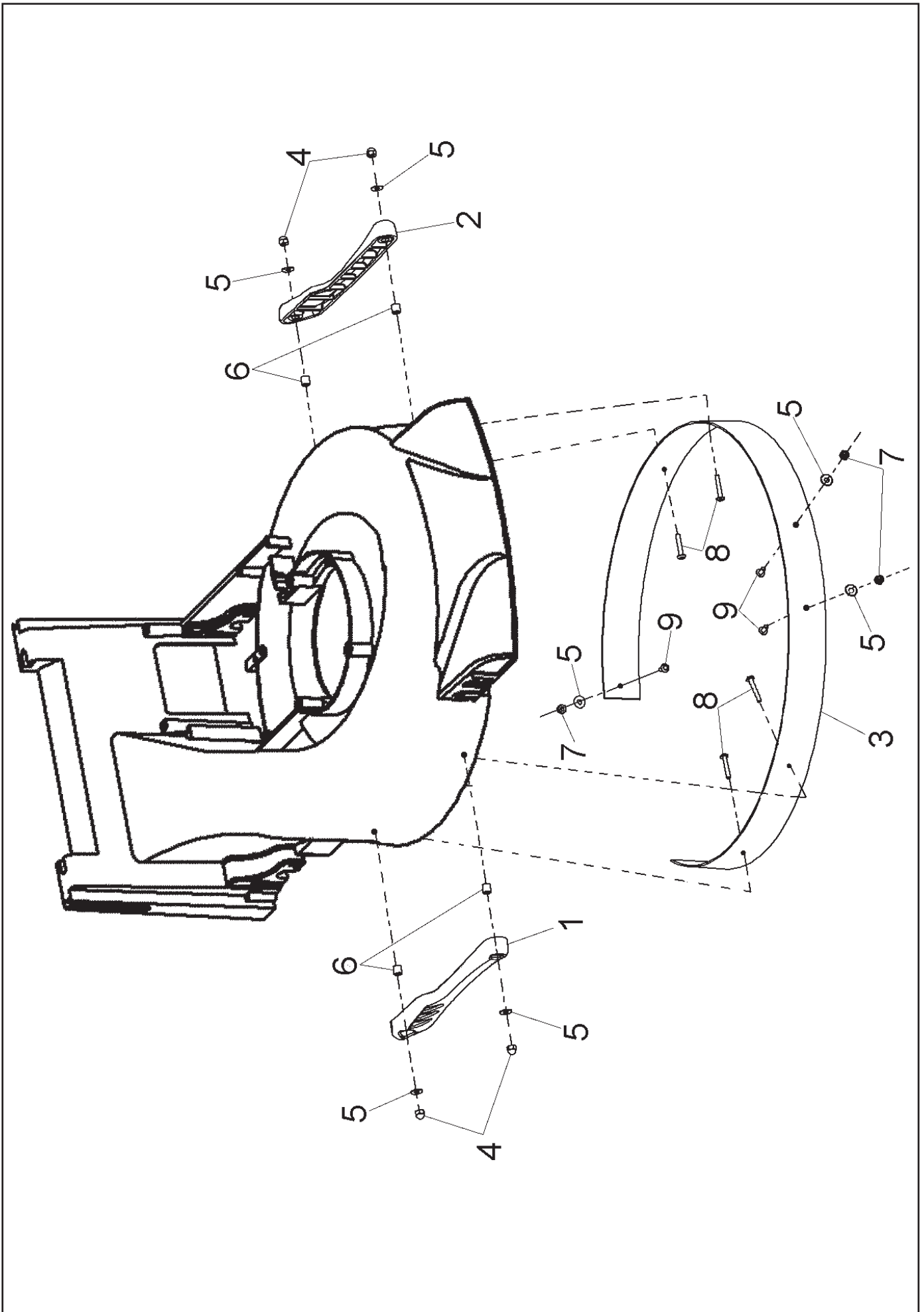


Manubrio - Mancheron - Upper Handle

RIF. REF.	COD. N° / P P / N°	Q.	DESCRIZIONE - DESCRIPTION	RIF. REF.	COD. N° / P P / N°	Q.	DESCRIZIONE - DESCRIPTION
1	50135	1	MANUBRIO - MANCHERON - UPPER HANDLE	15	23286	2	VITE - VIS - SCREW
2	50068	1	MANIGLIA - POIGNEE - HANDLE	16	50338	4	GOMMA - CAOUTCHOUC - RUBBER
3	50006	1	MANIGLIA - POIGNEE - HANDLE	17	50105	1	GUIDA ZONE START - MANCHERON - HANDLE
4	50197	1	LEVA BBC - LEVIER BBC - BBC LEVER	18	20788	1	DADO - ECROU - NUT
5	22045	2	VITE - VIS - SCREW	19	40092	1	VITE - VIS - SCREW
6	20917	1	DADO - ECROU - NUT	20	50970	2	CORPO ANTIVIBRANTE - CORPS - BODY
7	50029	1	BUSSOLA - ENTRETOISE - SPACER	21	50226	2	CONO SUPERIORE - TOP CONE - CONE TOP
8	20711	1	RONDELLA - RONDELLE - WASHER	22	50418	2	CHIUSURA - FERMETURE - CLOSING
9	50279	1	STAFFA - ETRIER - STIRRUP	23	20272	8	VITE - VIS - SCREW
10	20176	1	DADO - ECROU - NUT	24	50228	2	CARTER
11	20858	4	VITE - VIS - SCREW	25	50206	1	STAFFA - ETRIER - STIRRUP
12	21139	2	RONDELLA - RONDELLE - WASHER	26	50231	2	CARTER
13	31216	2	DADO - ECROU - NUT	27	20320	2	FASCETTA - CLIP
14	50340	2	CONO INFERIORE - FOND CONIQUE - CONE BOTTOM				

NOTE - NOTES

Paracolpi - Tampon - Buffer

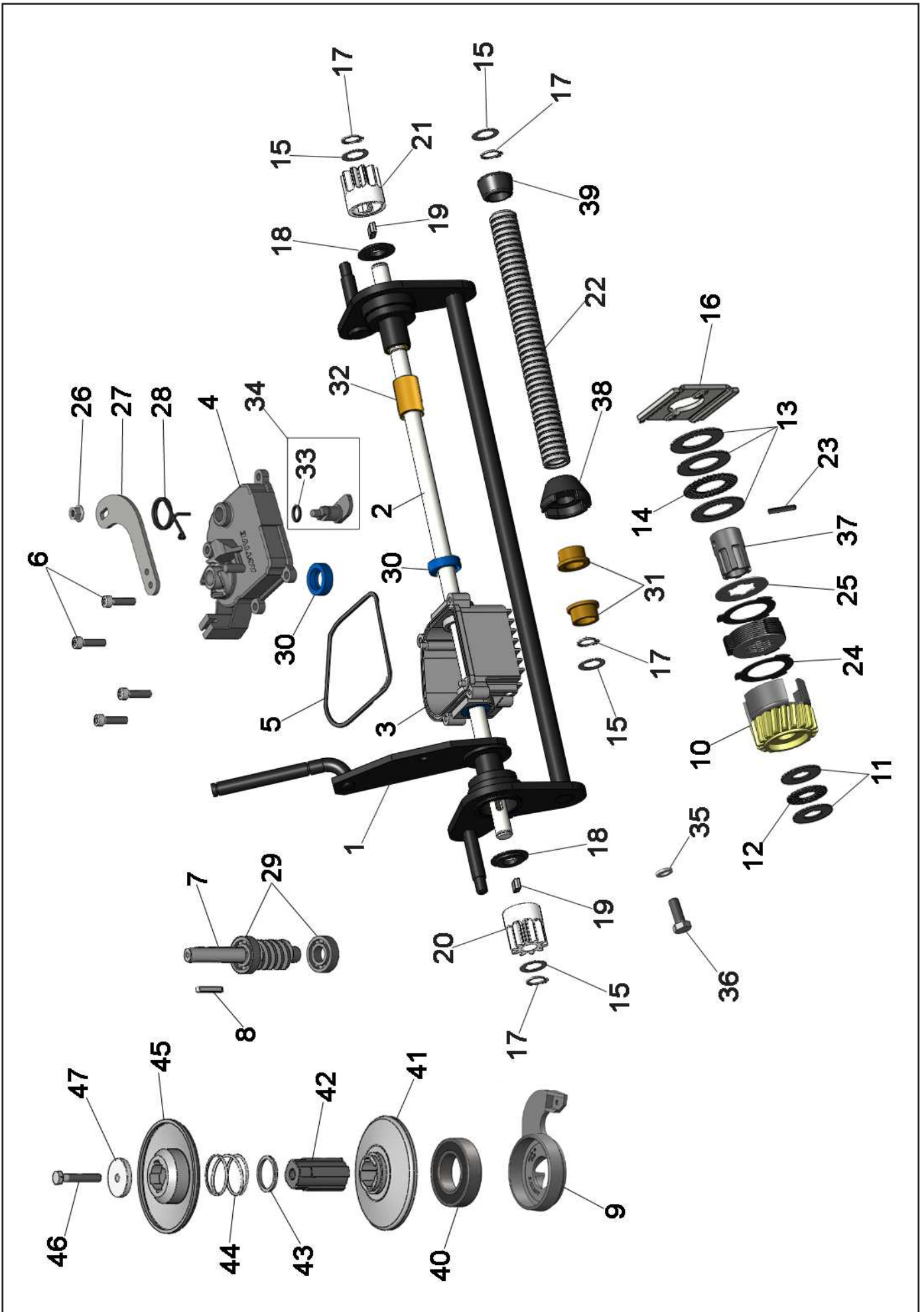


Paracolpi - Tampon - Buffer

RIF. REF.	COD. N° / P P / N°	Q.	DESCRIZIONE - DESCRIPTION	RIF. REF.	COD. N° / P P / N°	Q.	DESCRIZIONE - DESCRIPTION
1	50941	1	PROTEZIONE - PROTECTION - GUARD (dx)	6	21239	4	BUSSOLA - ENTRETOISE - SPACER
2	50940	1	PROTEZIONE - PROTECTION - GUARD (sx)	7	20289	3	DADO - ECROU - NUT
3	50943	1	PROTEZIONE - PROTECTION - GUARD	8	23293	4	VITE - VIS - SCREW
4	50961	4	DADO - ECROU - NUT	9	21246	3	VITE - VIS - SCREW
5	21139	7	RONDELLA - RONDELLE - WASHER				

NOTE - NOTES

50963 Trasmissione - Transmission - Transmission

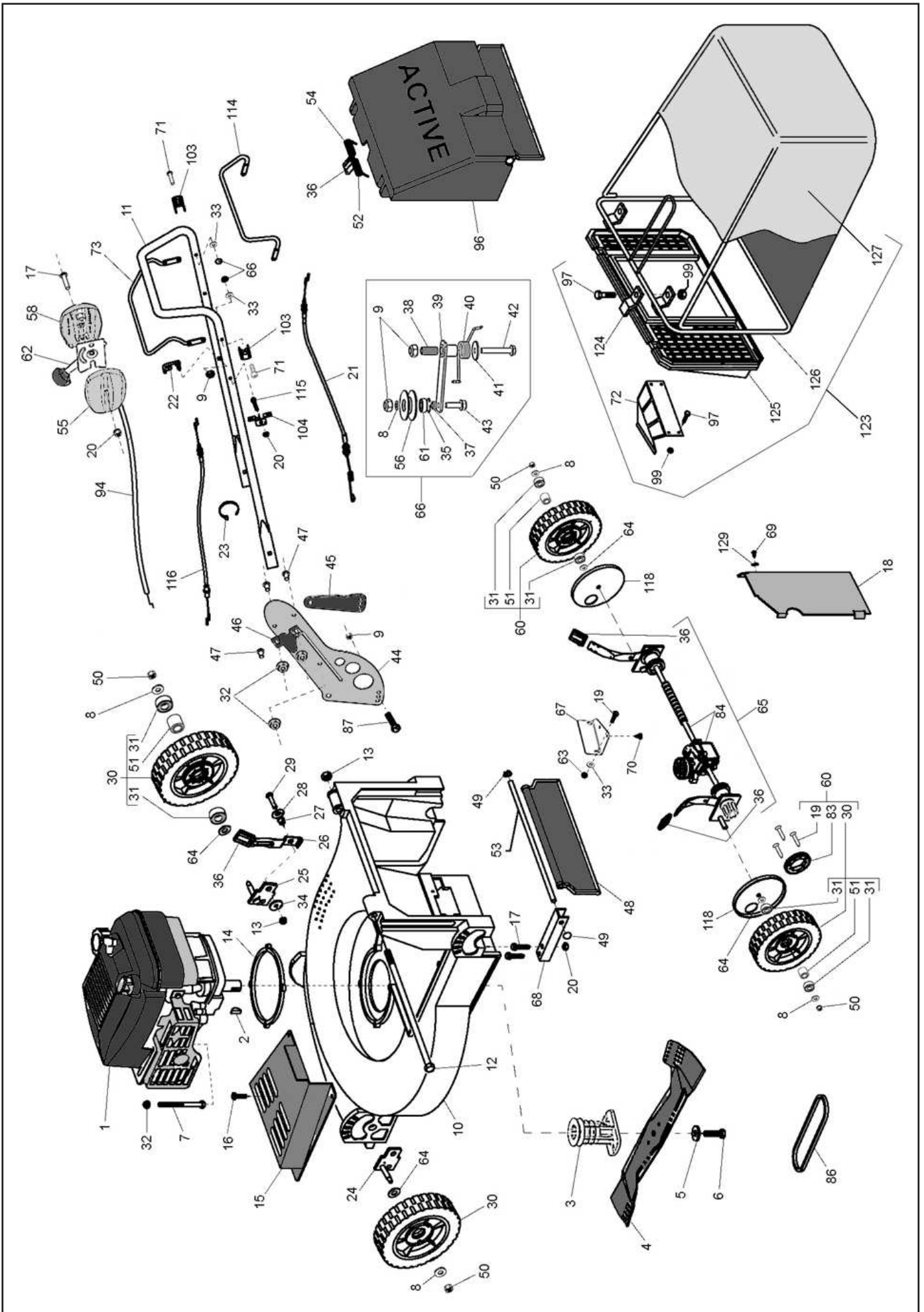


50963 Trasmissione - Transmission - Transmission

RIF. REF.	COD. N° / P P / N°	Q.	DESCRIZIONE - DESCRIPTION	RIF. REF.	COD. N° / P P / N°	Q.	DESCRIZIONE - DESCRIPTION
1	50120	1	ASSALE - AXE - AXLE	25	50707	10	DISCO - DISK
2	50647	1	ALBERO - ARBRE - SHAFT	26	50519	1	DADO - ECROU - NUT
3	50606	1	SCATOLA - BOITE - BOX	27	50255	1	LEVA - LEVIER - LEVER
4	50592	1	COPERCHIO - COUVERTURE - COVER	28	50310	1	MOLLA - RESSORT - SPRING
5	50321	1	GUARNIZIONE - JOINT - GASKET	29	22511	2	CUSCINETTO - ROULEMENT - BEARING
6	20001	4	VITE - VIS - SCREW	30	50320	3	ANELLO DI TENUTA - JOINT - SEAL
7	50525	1	VITE S.F. - VIS - SCREW	31	50540	2	BUSSOLA - ENTRETOISE - SPACER
8	50713	1	CHIAVETTA - CLAVETTE - KEY	32	50541	2	BUSSOLA - ENTRETOISE - SPACER
9	50244	1	LEVA - LEVIER - LEVER	33	20324	1	O-RING
10	50281	1	ASSIEME CAMPANA - TAMBOUR - DRUM	34	50179	1	LEVA - LEVIER - LEVER
11	50303	1	RONDELLA - RONDELLE - WASHER	35	50772	1	RONDELLA - RONDELLE - WASHER
12	50521	1	CUSCINETTO - ROULEMENT - BEARING	36	50771	1	VITE - VIS - SCREW
13	50261	3	RONDELLA - RONDELLE - WASHER	37	50284	1	BUSSOLA - ENTRETOISE - SPACER
14	50522	1	CUSCINETTO - ROULEMENT - BEARING	38	50342	1	BUSSOLA - ENTRETOISE - SPACER
15	50678	4	RASAMENTO - RONDELLE - WASHER SHIMS	39	50341	1	BUSSOLA - ENTRETOISE - SPACER
16	50546	1	LEVA - LEVIER - LEVER	40	50675	1	CUSCINETTO - ROULEMENT - BEARING
17	20218	4	SEEGER	41	50246	1	PULEGGIA - POULIE - PULLEY (inf.)
18	50186	2	PROTEZIONE - PROTECTION - GUARD	42	50248	1	PERNO - PIVOT - PIN
19	50188	2	CHIAVETTA - CLAVETTE - KEY	43	50250	1	RONDELLA - RONDELLE - WASHER
20	50527	1	PIGNONE - PIGNON - PINION (SX)	44	50312	1	MOLLA - RESSORT - SPRING
21	50528	1	PIGNONE - PIGNON - PINION (DX)	45	50247	1	PULEGGIA - POULIE - PULLEY (sup.)
22	50109	1	PROTEZIONE - PROTECTION - GUARD	46	40092	1	VITE - VIS - SCREW
23	50295	1	SPINA ELAST. - GOUPILLES - ELAST.PIN	47	50523	1	RONDELLA - RONDELLE - WASHER
24	50706	10	DISCO - DISK				

NOTE - NOTES

Rasaerba - Tondeuses - Lawn mowers (5800 SB)



Rasaerba - Tondeuses - Lawn mowers (5800 SB)

RIF.	COD.	Q.	DESCRIZIONE - DESCRIPTION	RIF.	COD.	Q.	DESCRIZIONE - DESCRIPTION
REF.	N° / P P / N°			REF.	N° / P P / N°		
1	50602	1	MOTORE - MOTEUR - ENGINE	47	40007	6	VITE - VIS - SCREW
2	50306	1	CHIAVETTA - CLAVETTE - KEY	48	50769	1	FLAP
3	50608	1	MOZZO - MOYEUX - HUB (Ø25)	50	50663	4	DADO - ECROU - NUT
4	50195	1	LAMA - LAME - BLADE (55 cm)	51	50544	4	DISTANZIALE - ENTRETOISE - SPACER
5	50538	1	RONDELLA - RONDELLE - WASHER	52	50618	1	MOLLA - RESSORT - SPRING (SX)
6	50641	1	VITE - VIS - SCREW	53	50770	1	PERNO - PIVOT - PIN
7	40290	2	VITE - VIS - SCREW	54	50023	1	MOLLA - RESSORT - SPRING (DX)
	40291	1	VITE - VIS - SCREW	55	50103	1	CARTER (SX)
8	20711	5	RONDELLA - RONDELLE - WASHER	56	50262	1	PULEGGIA - POULIE - PULLEY
9	20788	3	DADO - ECROU - NUT	58	50104	1	CARTER (DX)
10	50221	1	CARTER - CAPOT - HOUSING (Rosso - Red)	60	50684	2	KIT : RUOTA - ROUE - WHEEL
	50591		CARTER - CAPOT - HOUSING (Grigio - Gray)	61	22682	1	CUSCINETTO - ROULEMENT - BEARING
11	50125	1	MANUBRIO - MANCHERON - UPPER HANDLE (Sup.)	62	50094	1	LEVA GAS - LEVIER GAS - GAS LEVER
12	50235	1	TIRANTE - TIRAGE - STAY BAR	63	20289	2	DADO - ECROU - NUT
13	20317	3	DADO - ECROU - NUT	64	20790	6	RASAMENTO - RONDELLE - WASHER
14	50704	1	FLANGIA - FLASQUE - FLANGE	65	50218	1	KIT : TRASMISSIONE - BOITE DE VIT. - GEARBOX
15	50224	1	CARTER - CAPOT - HOUSING	66	50872	1	KIT : GALOPPINO - TENDEUR - TENSIONER
16	50645	5	VITE - VIS - SCREW	67	50220	1	STAFFA - PALIER - BRACKET
17	20190	5	VITE - VIS - SCREW	66	31216	2	DADO - ECROU - NUT
18	50227	1	CARTERINO - COUVERCLE - COVER	68	50090	2	STAFFA - PALIER - BRACKET
19	20328	8	VITE - VIS - SCREW	69	50657	1	VITE - VIS - SCREW
20	20176	6	DADO - ECROU - NUT	70	20272	2	VITE - VIS - SCREW
21	50383	1	CAVO - CABLE (Trazione - Traction)	71	50830	2	VITE - VIS - SCREW
22	50105	1	GUIDA ZONE START - MANCHERON - HANDLE	72	50196	1	TEGOLO - PLAQUE - GRILLE SPOON
23	50314	2	FASCETTA - CLIP	73	50211	1	MANIGLIA - POIGNEE - HANDLE
24	50088	1	PIASTRA - PLAQUE - PLATE (SX - ANT.)	83	50529	2	CORONA - COURONNE - CROWN
25	50012	1	PIASTRA - PLAQUE - PLATE (DX - ANT.)	84	50776	1	TRASMISSIONE - BOITE DE VIT. - GEARBOX
26	50014	2	LEVA - LEVIER - LEVER	86	50679	1	CINGHIA - COURROIE - BELT
27	50291	2	DISTANZIALE - ENTRETOISE - SPACER	87	40720	2	VITE - VIS - SCREW
28	50308	2	MOLLA - RESSORT - SPRING	94	50069	1	CAVO - CABLE (Gas)
29	40654	2	VITE - VIS - SCREW	96	50031	1	DEFLETTORE - DEFLECTEUR - DEFLECTOR
30	50702	4	RUOTA - ROUE - WHEEL	97	20064	6	VITE - VIS - SCREW
31	50667	8	CUSCINETTO - ROULEMENT - BEARING	99	20060	6	DADO - ECROU - NUT
32	50666	9	DADO - ECROU - NUT	103	50558	2	STAFFA - ETRIER - STIRRUP
33	21139	8	RONDELLA - RONDELLE - WASHER	104	50206	1	STAFFA - PALIER - BRACKET
34	50780	2	DISTANZIALE - ENTRETOISE - SPACER	114	50214	1	MANIGLIA - POIGNEE - HANDLE
35	50315	1	SEGEER	115	40092	1	VITE - VIS - SCREW
36	50018	5	IMPUGNATURA - POIGNEE GUIDON - HANDLE	116	50095	1	CAVO - CABLE (Freno - Brake)
37	50765	1	BOCCOLA - ANNEAU - SPACER	118	50174	2	PARAPOLVERE - PROTECTION - GUARD
38	50767	1	BOCCOLA - ANNEAU - SPACER	123	50191	1	CEST.COMP. - FABRIC CATCHER - BAC EN TOILE (Verde - Green)
39	50232	1	LEVA - LEVIER - LEVER		50827		CEST.COMP. - FABRIC CATCHER - BAC EN TOILE (Nero - Black)
40	50311	1	MOLLA - RESSORT - SPRING	124	50193	2	PIASTRA - PLAQUE - PLATE
41	21686	1	RONDELLA - RONDELLE - WASHER	125	50092	1	RETE - GRILLE
42	20786	1	VITE - VIS - SCREW	126	50543	1	TELAIO - CHASSIS - FRAME
43	40370	1	VITE - VIS - SCREW	127	50192	1	TELA - TOILE - CANVAS (Verde - Green)
44	50748	2	MANUBRIO - MANCHERON - UPPER HANDLE (Inf.)		50726		TELA - TOILE - CANVAS (Nera - Black)
45	50760	2	PIASTRA - PLAQUE - PLATE	129	20316	1	RONDELLA - RONDELLE - WASHER
46	50750	2	SUPPORTO - SUPPORT - MOUNTING				

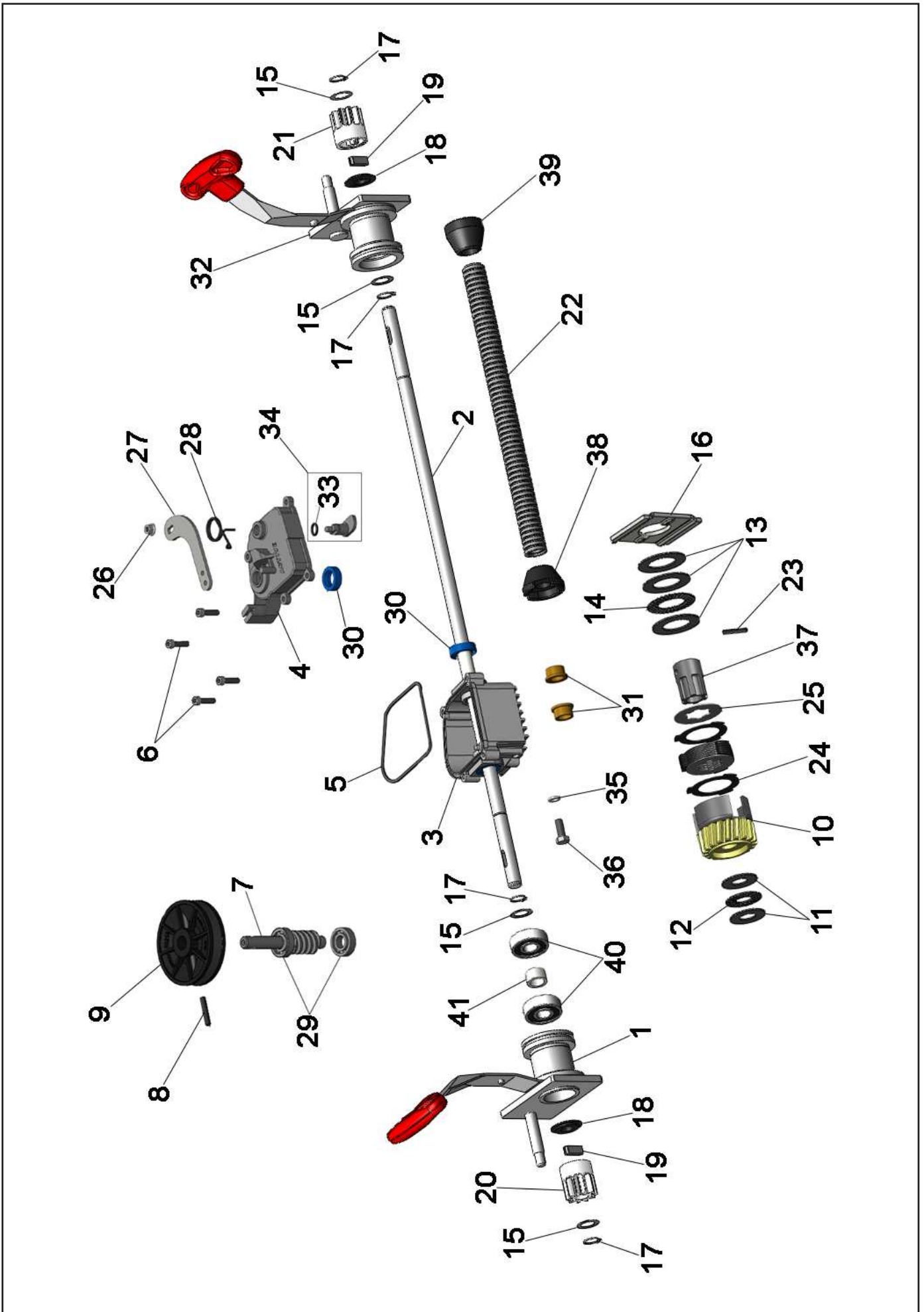
NOTE - NOTES



Valido dal N° di serie
A partir de N° de matricule suivant
From serial N°

58SB10001

50218 Trasmissione - Transmission - Transmission

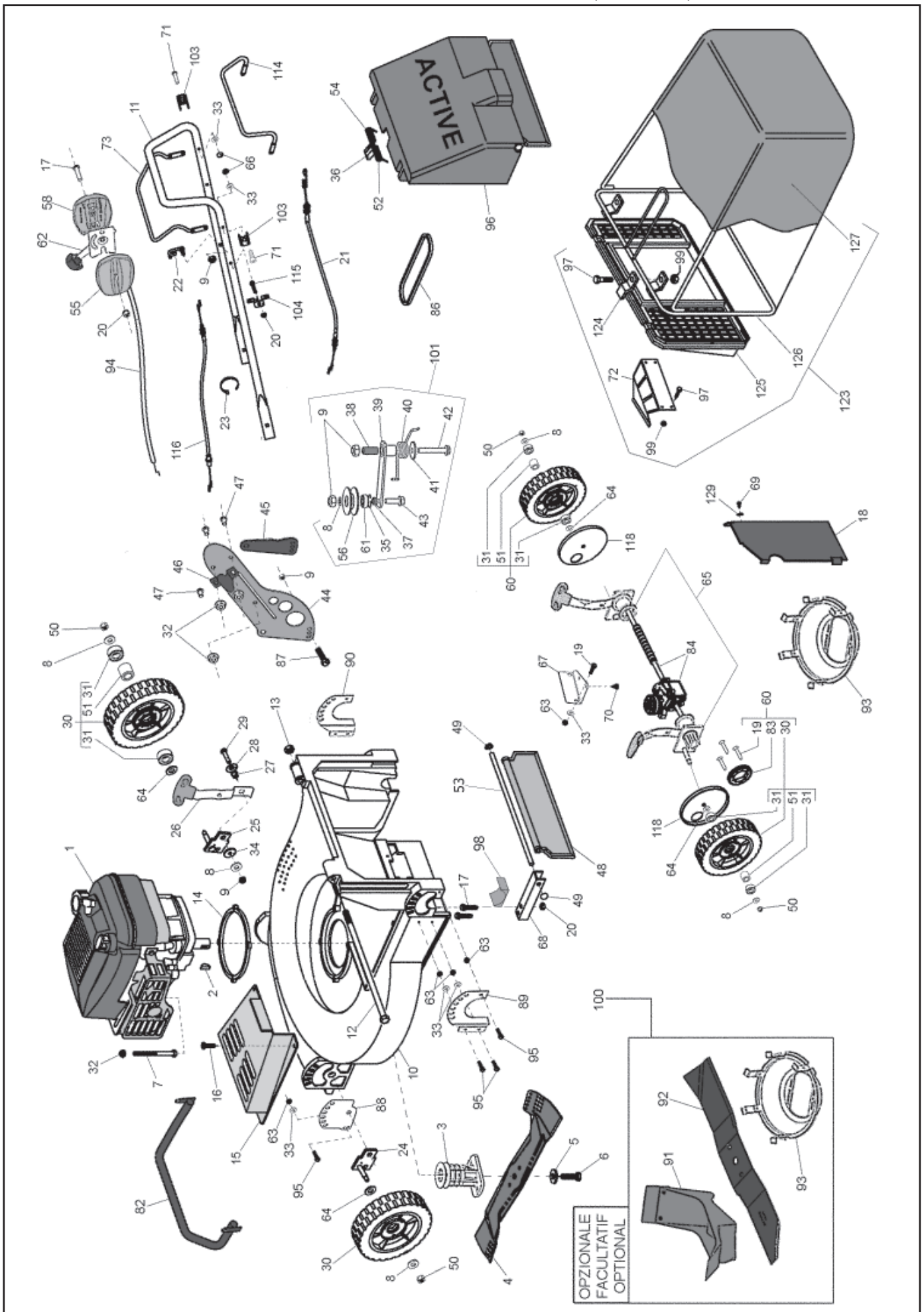


50218 Trasmissione - Transmission - Transmission

RIF. REF.	COD. N° / P P / N°	Q.	DESCRIZIONE - DESCRIPTION	RIF. REF.	COD. N° / P P / N°	Q.	DESCRIZIONE - DESCRIPTION
1	50272	1	PIASTRA - PLAQUE - PLATE (POST.SX)	22	50449	1	PROTEZIONE - PROTECTION - GUARD
2	50649	1	ALBERO - ARBRE - SHAFT	23	50295	1	SPINA ELAST. - GOUPILLES - ELAST.PIN
3	50606	1	SCATOLA - BOITE - BOX	24	50706	10	DISCO - DISK
4	50157	1	COPERCHIO - COUVERTURE - COVER	25	50707	10	DISCO - DISK
5	50321	1	GUARNIZIONE - JOINT - GASKET	26	50519	1	DADO - ECROU - NUT
6	20001	4	VITE - VIS - SCREW	27	50255	1	LEVA - LEVIER - LEVER
7	50524	1	VITE S.F. - VIS - SCREW	28	50310	1	MOLLA - RESSORT - SPRING
8	50298	1	SPINA ELAST. - GOUPILLES - ELAST.PIN	29	22511	2	CUSCINETTO - ROULEMENT - BEARING
9	50216	1	PULEGGIA - PUOLIE - PULLEY (Ø71)	30	50320	3	ANELLO DI TENUTA - JOINT - SEAL
10	50281	1	ASSIEME CAMPANA - TAMBOUR - DRUM	31	50540	2	BUSSOLA - ENTRETOISE - SPACER
11	50303	1	RONDELLA - RONDELLE - WASHER	32	50273	1	PIASTRA - PLAQUE - PLATE (POST.DX)
12	50521	1	CUSCINETTO - ROULEMENT - BEARING	33	20324	1	O-RING
13	50261	3	RONDELLA - RONDELLE - WASHER	34	50179	1	LEVA - LEVIER - LEVER
14	50522	1	CUSCINETTO - ROULEMENT - BEARING	35	50772	1	RONDELLA - RONDELLE - WASHER
15	50678	4	RASAMENTO - RONDELLE - WASHER SHIMS	36	50771	1	VITE - VIS - SCREW
16	50546	1	LEVA - LEVIER - LEVER	37	50284	1	BUSSOLA - ENTRETOISE - SPACER
17	20218	4	SEEGER	38	50342	1	BUSSOLA - ENTRETOISE - SPACER
18	50186	2	PROTEZIONE - PROTECTION - GUARD	39	50343	1	BUSSOLA - ENTRETOISE - SPACER
19	50188	2	CHIAVETTA - CLAVETTE - KEY	40	20875	4	CUSCINETTO - ROULEMENT - BEARING
20	50527	1	PIGNONE - PIGNON - PINION (SX)	41	50650	2	DISTANZIALE - ENTRETOISE - SPACER
21	50528	1	PIGNONE - PIGNON - PINION (DX)				

NOTE - NOTES

Rasaerba - Tondeuses - Lawn mowers (5800 SB)



Rasaerba - Tondeuses - Lawn mowers (5800 SB)

RIF.	COD.	Q.	DESCRIZIONE - DESCRIPTION	RIF.	COD.	Q.	DESCRIZIONE - DESCRIPTION
REF.	N° / P / N°			REF.	N° / P / N°		
1	50602	1	MOTORE - MOTEUR - ENGINE	52	50618	1	MOLLA - RESSORT - SPRING (SX)
2	50306	1	CHIAVETTA - CLAVETTE - KEY	53	50770	1	PERNO - PIVOT - PIN
3	50608	1	MOZZO - MOYEUX - HUB (Ø25)	54	50023	1	MOLLA - RESSORT - SPRING (DX)
4	50195	1	LAMA - LAME - BLADE (55 cm)	55	50103	1	CARTER (SX)
5	50538	1	RONDELLA - RONDELLE - WASHER	56	50262	1	PULEGGIA - POULIE - PULLEY
6	50641	1	VITE - VIS - SCREW	57	50872	1	KIT : GALOPPINO - TENDEUR - TENSIONER
7	40290	2	VITE - VIS - SCREW	58	50104	1	CARTER (DX)
	40291	1	VITE - VIS - SCREW	60	50684	2	KIT: RUOTA - ROUE - WHEEL
8	20711	5	RONDELLA - RONDELLE - WASHER	61	22682	1	CUSCINETTO - ROULEMENT - BEARING
9	20788	5	DADO - ECRU - NUT	62	50094	1	LEVA GAS - LEVIER GAS - GAS LEVER
10	50221	1	CARTER - CAPOT - HOUSING (Rosso - Red)	63	20289	10	DADO - ECRU - NUT
	50591		CARTER - CAPOT - HOUSING (Grigio - Gray)	64	20790	6	RASAMENTO - RONDELLE - WASHER
11	50125	1	MANUBRIO - MANCHERON - UPPER HANDLE (Sup.)	65	50956	1	KIT: TRASMISSIONE - BOITE DE VIT. - GEARBOX
12	50235	1	TIRANTE - TIRAGE - STAY BAR	66	31216	2	DADO - ECRU - NUT
13	20317	3	DADO - ECRU - NUT	67	50220	1	STAFFA - PALIER - BRACKET
14	50704	1	FLANGIA - FLASQUE - FLANGE	68	50090	2	STAFFA - PALIER - BRACKET
15	50224	1	CARTER - CAPOT - HOUSING	69	50657	1	VITE - VIS - SCREW
16	50645	5	VITE - VIS - SCREW	70	20272	2	VITE - VIS - SCREW
17	20190	5	VITE - VIS - SCREW	71	50830	2	VITE - VIS - SCREW
18	50227	1	CARTERINO - COUVERCLE - COVER	72	50196	1	TEGOLO - PLAQUE - GRILLE SPOON
19	20328	8	VITE - VIS - SCREW	73	50211	1	MANIGLIA - POIGNEE - HANDLE
20	20176	6	DADO - ECRU - NUT	82	50918	1	PROTEZIONE - PROTECTION - GUARD
21	50383	1	CAVO - CABLE (Trazione - Traction)	83	50529	2	CORONA - COURONNE - CROWN
22	50105	1	GUIDA ZONE START - MANCHERON - HANDLE	84	50326	1	TRASMISSIONE - BOITE DE VIT. - GEARBOX
23	50314	2	FASCETTA - CLIP	86	50086	1	CINGHIA - COURROIE - BELT
24	50088	1	PIASTRA - PLAQUE - PLATE (SX - ANT.)	87	40720	2	VITE - VIS - SCREW
25	50012	1	PIASTRA - PLAQUE - PLATE (DX - ANT.)	88	50934	2	PIASTRA - PLAQUE - PLATE (ANT.)
26	50014	2	LEVA - LEVIER - LEVER	89	50938	1	PIASTRA - PLAQUE - PLATE (SX - POST.)
27	50291	2	DISTANZIALE - ENTRETOISE - SPACER	90	50936	1	PIASTRA - PLAQUE - PLATE (DX - POST.)
28	50308	2	MOLLA - RESSORT - SPRING	91	50947	1	TAPPO MULCHING - FERMATURE - MULCHING PLUG
29	50957	2	VITE - VIS - SCREW	92	50893	1	LAMA - LAME - BLADE (Mulching)
30	50702	4	RUOTA - ROUE - WHEEL	93	50946	1	CARTERINO - COUVERCLE - COVER (Mulching)
31	50667	8	CUSCINETTO - ROULEMENT - BEARING	94	50069	1	CAVO - CABLE (Gas)
32	50666	9	DADO - ECRU - NUT	95	35792	8	VITE - VIS - SCREW
33	21139	14	RONDELLA - RONDELLE - WASHER	96	50031	1	DEFLETTORE - DEFLECTEUR - DEFLECTOR
34	50780	2	DISTANZIALE - ENTRETOISE - SPACER	97	20064	6	VITE - VIS - SCREW
35	50315	1	SEGEER	99	20060	6	DADO - ECRU - NUT
36	50018	5	IMPUGNATURA - POIGNEE GUIDON - HANDLE	100	50945	1	KIT MULCHING (OPTIONAL - FACULTATIF)
37	50765	1	BOCCOLA - ANNEAU - SPACER	103	50558	2	STAFFA - ETRIER - STIRRUP
38	50767	1	BOCCOLA - ANNEAU - SPACER	104	50206	1	STAFFA - PALIER - BRACKET
39	50232	1	LEVA - LEVIER - LEVER	114	50214	1	MANIGLIA - POIGNEE - HANDLE
40	50311	1	MOLLA - RESSORT - SPRING	115	40092	1	VITE - VIS - SCREW
41	21686	1	RONDELLA - RONDELLE - WASHER	116	50095	1	CAVO - CABLE (Freno - Brake)
42	20786	1	VITE - VIS - SCREW	118	50174	2	PARAPOLVERE - PROTECTION - GUARD
43	40370	1	VITE - VIS - SCREW	123	50191	1	CEST. COMP. - FABRIC CATCHER - BAC EN TOILE (Verde - Green)
44	50748	2	MANUBRIO - MANCHERON - UPPER HANDLE (Inf.)		50827		CEST. COMP. - FABRIC CATCHER - BAC EN TOILE (Nero - Black)
45	50760	2	PIASTRA - PLAQUE - PLATE	124	50193	2	PIASTRA - PLAQUE - PLATE
46	50750	2	SUPPORTO - SUPPORT - MOUNTING	125	50092	1	RETE - GRILLE
47	40007	6	VITE - VIS - SCREW	126	50543	1	TELAIO - CHASSIS - FRAME
48	50769	1	FLAP	127	50192	1	TELA - TOILE - CANVAS (Verde - Green)
49	50301	2	STARLOCK		50726		TELA - TOILE - CANVAS (Nera - Black)
50	50663	4	DADO - ECRU - NUT	129	20316	1	RONDELLA - RONDELLE - WASHER
51	50544	4	DISTANZIALE - ENTRETOISE - SPACER				

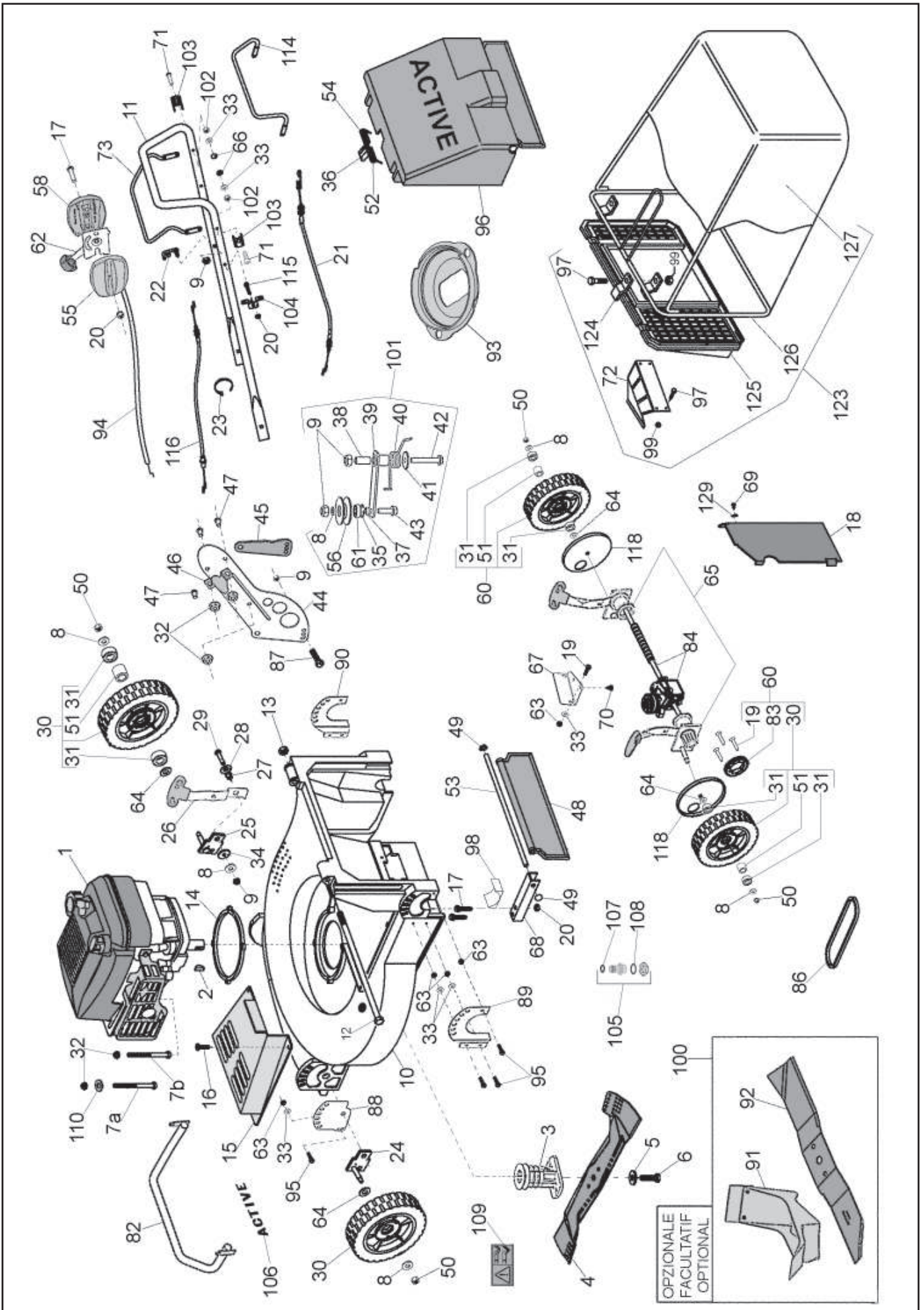
NOTE - NOTES



Valido dal N° di serie
A partir de N° de matricule suivant
From serial N°

58SB110001

Rasaerba - Tondeuses - Lawn mowers (5800 SB)



Rasaerba - Tondeuses - Lawn mowers (5800 SB)

RIF.	COD.	Q.	DESCRIZIONE - DESCRIPTION	RIF.	COD.	Q.	DESCRIZIONE - DESCRIPTION
REF.	N° / P P / N°			REF.	N° / P P / N°		
1	50243	1	MOTORE - MOTEUR - ENGINE	56	50262	1	PULEGGIA - POULIE - PULLEY
2	50306	1	CHIAVETTA - CLAVETTE - KEY	58	50104	1	CARTER (DX)
3	50608	1	MOZZO - MOYEUX - HUB (Ø25)	60	50684	2	KIT: RUOTA - ROUE - WHEEL
4	50195	1	LAMA - LAME - BLADE (55 cm)	61	22682	1	CUSCINETTO - ROULEMENT - BEARING
5	50538	1	RONDELLA - RONDELLE - WASHER	62	50094	1	LEVA GAS - LEVIER GAS - GAS LEVER
6	50641	1	VITE - VIS - SCREW	63	20289	10	DADO - ECROU - NUT
7a	40290	2	VITE - VIS - SCREW	64	20790	6	RASAMENTO - RONDELLE - WASHER
7b	40291	1	VITE - VIS - SCREW	65	50956	1	KIT: TRASMISSIONE - BOITE DE VIT. - GEARBOX
8	20711	7	RONDELLA - RONDELLE - WASHER	66	31216	2	DADO - ECROU - NUT
9	20788	7	DADO - ECROU - NUT	67	50220	1	STAFFA - PALIER - BRACKET
10	50221	1	CARTER - CAPOT - HOUSING (Rosso - Red)	68	50090	2	STAFFA - PALIER - BRACKET
	50591		CARTER - CAPOT - HOUSING (Grigio - Gray)	69	50657	1	VITE - VIS - SCREW
11	50125	1	MANUBRIO - MANCHERON - UPPER HANDLE (Sup.)	70	20272	2	VITE - VIS - SCREW
12	50235	1	TIRANTE - TIRAGE - STAY BAR	71	22045	2	VITE - VIS - SCREW
13	20317	1	DADO - ECROU - NUT	72	50196	1	TEGOLO - PLAQUE - GRILLE SPOON
14	50704	1	FLANGIA - FLASQUE - FLANGE	73	50211	1	MANIGLIA - POIGNEE - HANDLE
15	50224	1	CARTER - CAPOT - HOUSING	82	50918	1	PROTEZIONE - PROTECTION - GUARD
16	50645	5	VITE - VIS - SCREW	83	50529	2	CORONA - COURONNE - CROWN
17	20190	5	VITE - VIS - SCREW	84	50326	1	TRASMISSIONE - BOITE DE VIT. - GEARBOX
18	50227	1	CARTERINO - COUVERCLE - COVER	86	50086	1	CINGHIA - COURROIE - BELT
19	20328	8	VITE - VIS - SCREW	87	40720	2	VITE - VIS - SCREW
20	20176	6	DADO - ECROU - NUT	88	50934	2	PIASTRA - PLAQUE - PLATE (ANT.)
21	50383	1	CAVO - CABLE (Trazione - Traction)	89	50938	1	PIASTRA - PLAQUE - PLATE (SX - POST.)
22	50105	1	GUIDA ZONE START - MANCHERON - HANDLE	90	50936	1	PIASTRA - PLAQUE - PLATE (DX - POST.)
23	50314	2	FASCETTA - CLIP	91	50947	1	TAPPO MULCHING - FERMATURE - MULCHING PLUG
24	50088	1	PIASTRA - PLAQUE - PLATE (SX - ANT.)	92	50893	1	LAMA - LAME - BLADE (Mulching)
25	50012	1	PIASTRA - PLAQUE - PLATE (DX - ANT.)	93	50063	1	CARTERINO - COUVERCLE - COVER
26	50013	2	LEVA - LEVIER - LEVER	94	50712	1	CAVO - CABLE (Gas)
27	50290	2	DISTANZIALE - ENTRETOISE - SPACER	95	35792	8	VITE - VIS - SCREW
28	50308	2	MOLLA - RESSORT - SPRING	96	50031	1	DEFLETTORE - DEFLECTEUR - DEFLECTOR
29	40392	2	VITE - VIS - SCREW	97	20064	6	VITE - VIS - SCREW
30	50702	4	RUOTA - ROUE - WHEEL	98	50636	2	DISTANZIALE - ENTRETOISE - SPACER
31	50667	8	CUSCINETTO - ROULEMENT - BEARING	99	20060	6	DADO - ECROU - NUT
32	50666	9	DADO - ECROU - NUT	100	50473	1	KIT MULCHING (OPTIONAL - FACULTATIF)
33	21139	10	RONDELLA - RONDELLE - WASHER	101	50872	1	KIT: GALLOPPINO - TENDEUR - TENSIONER
34	50780	2	DISTANZIALE - ENTRETOISE - SPACER	102	20917	2	DADO - ECROU - NUT
35	50315	1	SEGEER	103	50558	2	STAFFA - ETRIER - STIRRUP
36	50018	1	GOMMINO - CAOUTCHOUC - RUBBER	104	50206	1	STAFFA - PALIER - BRACKET
37	50765	1	BOCCOLA - ANNEAU - SPACER	105	50209	1	ATTACCO ACQUA - RACCORDEMENT à L'EAU - WATER CONNECTION
38	50767	1	BOCCOLA - ANNEAU - SPACER	106	50762	1	ADESIVO ACTIVE - MARQUE - BRAND
39	50232	1	LEVA - LEVIER - LEVER	107	23755	1	GOMMINO - CAOUTCHOUC - RUBBER
40	50311	1	MOLLA - RESSORT - SPRING	108	23758	1	GOMMINO - CAOUTCHOUC - RUBBER
41	21686	1	RONDELLA - RONDELLE - WASHER	109	50909	1	ADESIVO - ADHESIF - ADHESIVE
42	20786	1	VITE - VIS - SCREW	110	40229	2	RONDELLA - RONDELLE - WASHER
43	40370	1	VITE - VIS - SCREW	114	50214	1	MANIGLIA - POIGNEE - HANDLE
44	50748	2	MANUBRIO - MANCHERON - UPPER HANDLE (Inf.)	115	40092	1	VITE - VIS - SCREW
45	50760	2	PIASTRA - PLAQUE - PLATE	116	50095	1	CAVO - CABLE (Freno - Brake)
46	50750	2	SUPPORTO - SUPPORT - MOUNTING	118	50174	2	PARAPOLVERE - PROTECTION - GUARD
47	40007	6	VITE - VIS - SCREW	119	50872	1	TENDICINGHIA - TENDEUR - TENSIONER
48	50769	1	FLAP	123	50363	1	CEST.COMP. - FABRIC CATCHER - BAC EN TOILE (Verde - Green)
49	50301	2	STARLOCK		50364		CEST.COMP. - FABRIC CATCHER - BAC EN TOILE (Nero - Black)
50	50663	4	DADO - ECROU - NUT	124	50193	2	PIASTRA - PLAQUE - PLATE
51	50544	4	DISTANZIALE - ENTRETOISE - SPACER	125	50092	1	RETE - GRILLE
52	50618	1	MOLLA - RESSORT - SPRING (SX)	126	50445	1	TELAIO - CHASSIS - FRAME
53	50770	1	PERNO - PIVOT - PIN	127	50192	1	TELA - TOILE - CANVAS (Verde - Green)
54	50023	1	MOLLA - RESSORT - SPRING (DX)		50726		TELA - TOILE - CANVAS (Nera - Black)
55	50103	1	CARTER (SX)	129	20316	1	RONDELLA - RONDELLE - WASHER

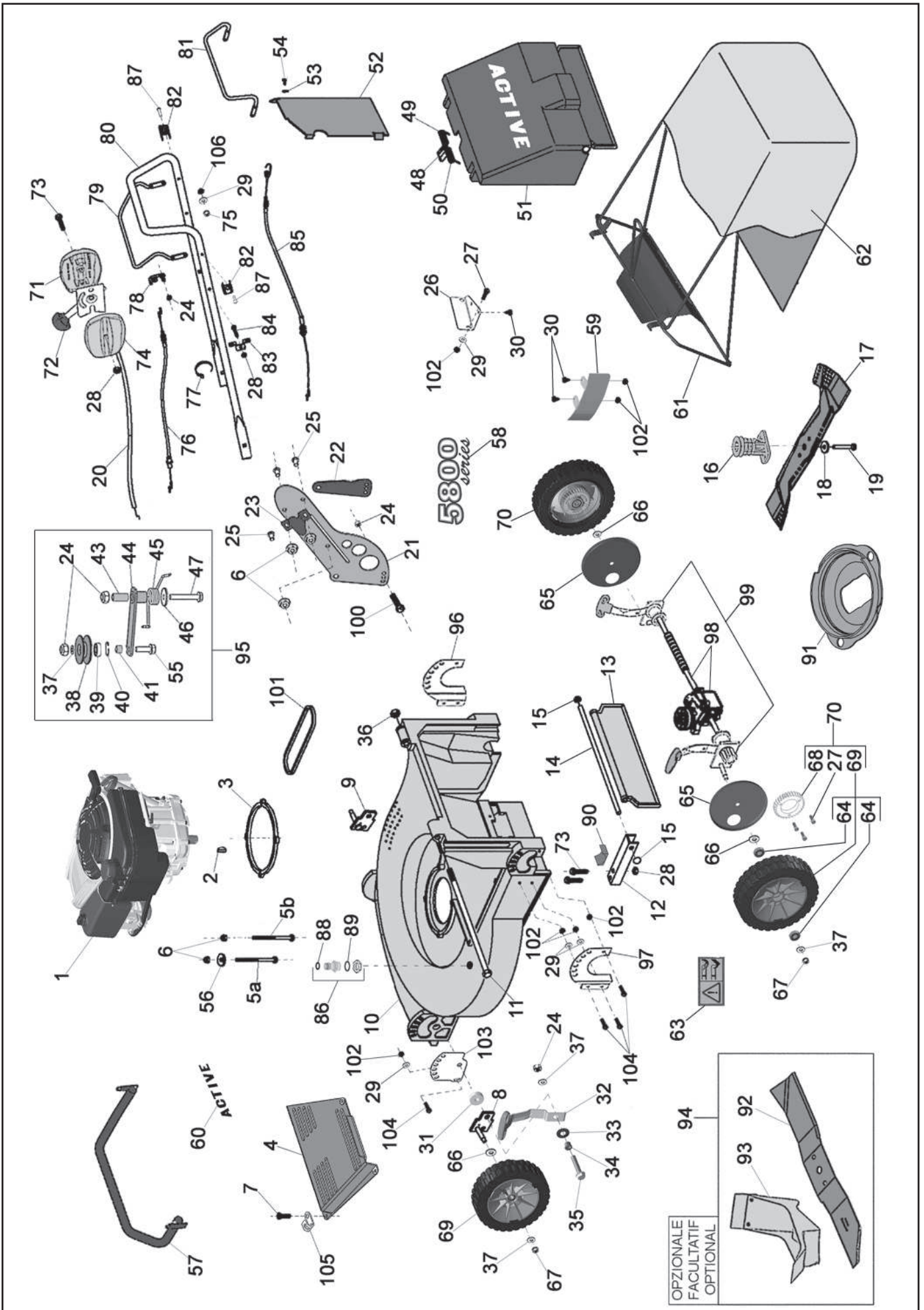
NOTE - NOTES



Valido dal N° di serie
A partir de N° de matricule suivant
From serial N°

58SB130001

Rasaerba - Tondeuses - Lawn mowers (5800 SB)



Rasaerba - Tondeuses - Lawn mowers (5800 SB)

RIF.	COD.	Q.	DESCRIZIONE - DESCRIPTION	RIF.	COD.	Q.	DESCRIZIONE - DESCRIPTION
REF.	N° / P P / N°			REF.	N° / P P / N°		
1	50243	1	MOTORE - MOTEUR - ENGINE	54	50657	1	VITE - VIS - SCREW
2	50306	1	CHIAVETTA - CLAVETTE - KEY	55	40370	1	VITE - VIS - SCREW
3	50704	1	FLANGIA - FLASQUE - FLANGE	56	40229	2	RONDELLA - RONDELLE - WASHER
4	50224	1	CARTER - CAPOT - HOUSING	57	50918	1	PROTEZIONE - PROTECTION - GUARD
5a	40290	2	VITE - VIS - SCREW	58	50637	1	ADESIVO - MARQUE - BRAND
5b	40291	1	VITE - VIS - SCREW	59	50567	1	PIASTRA - PLAQUE - PLATE
6	50666	9	DADO - ECROU - NUT	60	50762	1	ADESIVO ACTIVE - MARQUE - BRAND
7	50645	5	VITE - VIS - SCREW	61	50058	1	TELAIO - CHASSIS - FRAME
8	50088	1	PIASTRA - PLAQUE - PLATE (SX - ANT.)	62	50697	1	TELA - TOILE - CANVAS (Verde - Green)
9	50012	1	PIASTRA - PLAQUE - PLATE (DX - ANT.)		50817		TELA - TOILE - CANVAS (Nera - Black)
10	50221	1	CARTER - CAPOT - HOUSING (Rosso - Red)	63	50909	1	ADESIVO - ADHESIF - ADHESIVE
	50591	1	CARTER - CAPOT - HOUSING (Grigio - Gray)	64	50155	8	CUSCINETTO - ROULEMENT - BEARING
11	50235	1	TIRANTE - TIRAGE - STAY BAR	65	50174	2	PARAPOLVERE - PROTECTION - GUARD
12	50090	2	STAFFA - PALIER - BRACKET	66	20790	6	RASAMENTO - RONDELLE - WASHER
13	50769	1	FLAP	67	50663	4	DADO - ECROU - NUT
14	50770	1	PERNO - PIVOT - PIN	68	50529	2	CORONA - COURONNE - CROWN
15	50301	2	STARLOCK	69	50702	2	RUOTA - ROUE - WHEEL
16	50608	1	MOZZO - MOYEUR - HUB Ø 25	70	50684	2	KIT: RUOTA - ROUE - WHEEL
17	50195	1	LAMA - LAME - BLADE (55 cm)	71	50104	1	CARTER (DX)
18	50538	1	RONDELLA - RONDELLE - WASHER	72	50094	1	LEVA GAS - LEVIER GAS - GAS LEVER
19	50641	1	VITE - VIS - SCREW	73	20190	5	VITE - VIS - SCREW
20	50712	1	CAVO - CABLE (Gas)	74	50545	1	CARTER (SX)
21	50748	2	PIASTRA - PLAQUE - PLATE	75	20917	2	DADO - ECROU - NUT
22	50760	2	DISTANZIALE - ENTRETOISE - SPACER	76	50095	1	CAVO - CABLE (Freno - Brake)
23	50750	2	SUPPORTO - SUPPORT - MOUNTING	77	50314	2	FASCETTA - CLIP
24	20788	7	DADO - ECROU - NUT	78	50105	1	GUIDA ZONE START - MANCHERON - HANDLE
25	40007	6	VITE - VIS - SCREW	79	50211	1	MANIGLIA - POIGNEE - HANDLE
26	50220	1	STAFFA - PALIER - BRACKET	80	50125	1	MANUBRIO - MANCHERON - UPPER HANDLE (Sup.)
27	20328	8	VITE - VIS - SCREW	81	50214	1	MANIGLIA - POIGNEE - HANDLE
28	20176	6	DADO - ECROU - NUT	82	50558	2	STAFFA - PALIER - BRACKET
29	21139	10	RONDELLA - RONDELLE - WASHER	83	50206	1	STAFFA - PALIER - BRACKET
30	20272	4	VITE - VIS - SCREW	84	40092	1	VITE - VIS - SCREW
31	50780	2	DISTANZIALE - ENTRETOISE - SPACER	85	50383	1	CAVO - CABLE (Trazione - Traction)
32	50013	2	LEVA - LEVIER - LEVER	86	50209	1	ATTACCO ACQUA - RACCORDEMENT à L'EAU - WATER CONNECTION
33	50308	2	MOLLA - RESSORT - SPRING	87	22045	2	VITE - VIS - SCREW
34	50290	2	BOCCOLA - ANNEAU - SPACER	88	23755	1	GOMMINO - CAOUTCHOUC - RUBBER
35	40392	2	VITE - VIS - SCREW	89	23758	1	GOMMINO - CAOUTCHOUC - RUBBER
36	20317	1	DADO - ECROU - NUT	90	50636	2	DISTANZIALE - ENTRETOISE - SPACER
37	20711	7	RONDELLA - RONDELLE - WASHER	91	50063	1	CARTERINO - COUVERCLE - COVER
38	50262	1	PULEGGIA - POULIE - PULLEY	92	50893	1	LAMA - LAME - BLADE (Mulching)
39	22682	1	CUSCINETTO - ROULEMENT - BEARING	93	50947	1	TAPPO MULCHING - FERMATURE - MULCHING PLUG
40	50315	1	SEEGER	94	50473	1	KIT MULCHING (OPTIONAL - FACULTATIF)
41	50765	1	BOCCOLA - ANNEAU - SPACER	95	50872	1	KIT: GALLOPINO - TENDEUR - TENSIONER
43	50767	1	BOCCOLA - ANNEAU - SPACER	96	50936	1	PIASTRA - PLAQUE - PLATE (DX - POST.)
44	50232	1	LEVA - LEVIER - LEVER	97	50938	1	PIASTRA - PLAQUE - PLATE (SX - POST.)
45	50311	1	MOLLA - RESSORT - SPRING	98	50326	1	TRASMISSIONE - BOITE DE VIT. - GEARBOX
46	21686	1	RONDELLA - RONDELLE - WASHER	99	50956	1	KIT: TRASMISSIONE - BOITE DE VIT. - GEARBOX
47	20786	1	VITE - VIS - SCREW	100	40720	2	VITE - VIS - SCREW
48	50018	1	GOMMINO - CAOUTCHOUC - RUBBER	101	50086	1	CINGHIA - COURROIE - BELT
49	50023	1	MOLLA - RESSORT - SPRING (DX)	102	20289	12	DADO - ECROU - NUT
50	50618	1	MOLLA - RESSORT - SPRING (SX)	103	50934	2	PIASTRA - PLAQUE - PLATE (ANT.)
51	50031	1	DEFLETTORE - DEFLECTEUR - DEFLECTOR	104	35792	8	VITE - VIS - SCREW
52	50227	1	CARTERINO - COUVERCLE - COVER	105	50878	1	STAFFA - PALIER - BRACKET
53	20316	1	RONDELLA - RONDELLE - WASHER	106	31216	2	DADO - ECROU - NUT

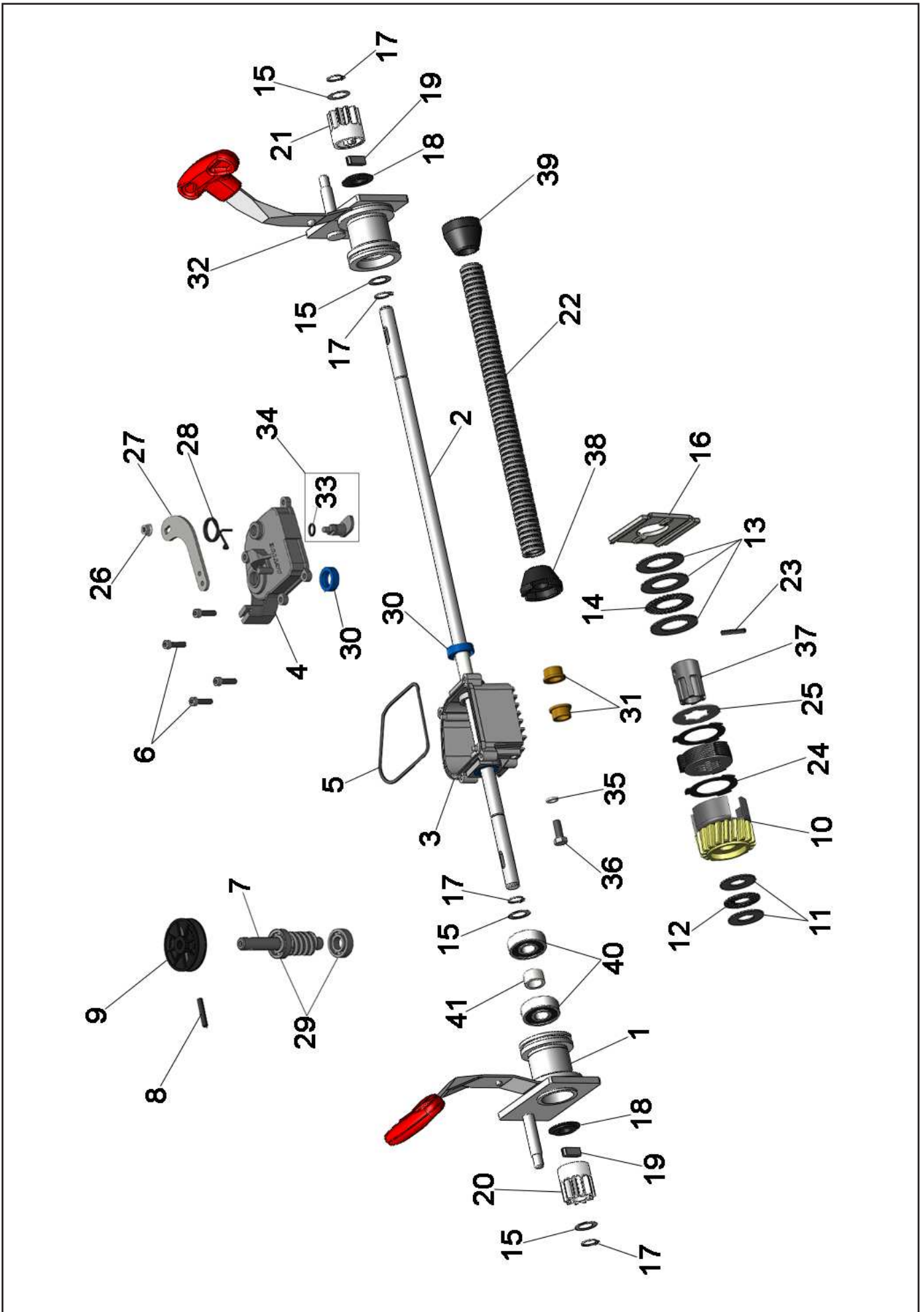
NOTE - NOTES



Valido dal N° di serie
A partir de N° de matricule suivant
From serial N°

58SB14001

50956 Trasmissione - Transmission - Transmission

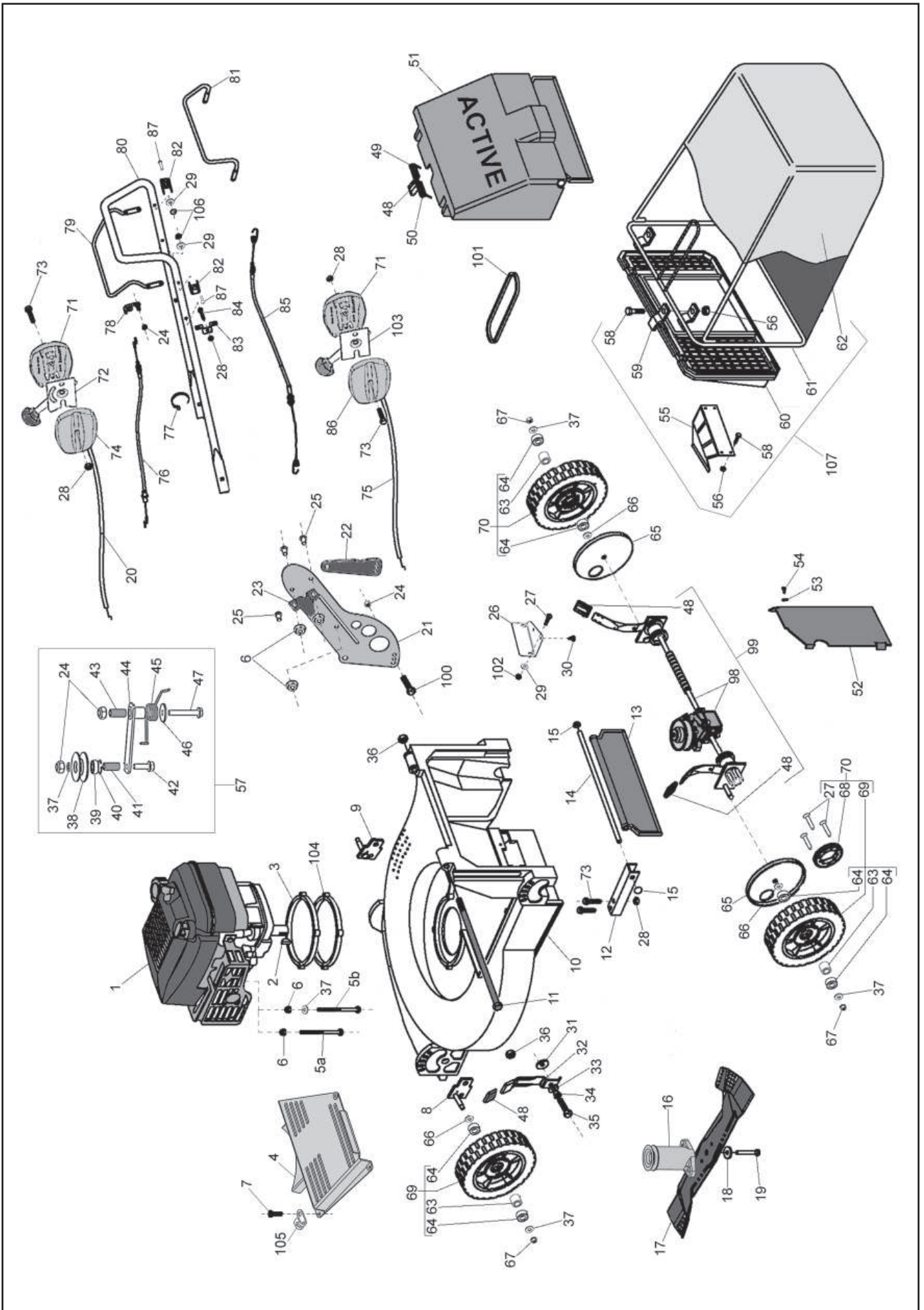


50956 Trasmissione - Transmission - Transmission

RIF. REF.	COD. N° / P P / N°	Q.	DESCRIZIONE - DESCRIPTION	RIF. REF.	COD. N° / P P / N°	Q.	DESCRIZIONE - DESCRIPTION
1	50272	1	PIASTRA - PLAQUE - PLATE (POST.SX)	22	50449	1	PROTEZIONE - PROTECTION - GUARD
2	50649	1	ALBERO - ARBRE - SHAFT	23	50295	1	SPINA ELAST. - GOUPILLES - ELAST.PIN
3	50606	1	SCATOLA - BOITE - BOX	24	50706	10	DISCO - DISK
4	50157	1	COPERCHIO - COUVERTURE - COVER	25	50707	10	DISCO - DISK
5	50321	1	GUARNIZIONE - JOINT - GASKET	26	50519	1	DADO - ECROU - NUT
6	20001	4	VITE - VIS - SCREW	27	50255	1	LEVA - LEVIER - LEVER
7	50524	1	VITE S.F. - VIS - SCREW	28	50310	1	MOLLA - RESSORT - SPRING
8	50881	1	SPINA ELAST. - GOUPILLES - ELAST.PIN	29	22511	2	CUSCINETTO - ROULEMENT - BEARING
9	50106	1	PULEGGIA - PUOLIE - PULLEY (Ø57)	30	50320	3	ANELLO DI TENUTA - JOINT - SEAL
10	50281	1	ASSIEME CAMPANA - TAMBOUR - DRUM	31	50540	2	BUSSOLA - ENTRETOISE - SPACER
11	50303	1	RONDELLA - RONDELLE - WASHER	32	50273	1	PIASTRA - PLAQUE - PLATE (POST.DX)
12	50521	1	CUSCINETTO - ROULEMENT - BEARING	33	20324	1	O-RING
13	50261	3	RONDELLA - RONDELLE - WASHER	34	50179	1	LEVA - LEVIER - LEVER
14	50522	1	CUSCINETTO - ROULEMENT - BEARING	35	50772	1	RONDELLA - RONDELLE - WASHER
15	50678	4	RASAMENTO - RONDELLE - WASHER SHIMS	36	50771	1	VITE - VIS - SCREW
16	50546	1	LEVA - LEVIER - LEVER	37	50284	1	BUSSOLA - ENTRETOISE - SPACER
17	20218	4	SEEGER	38	50342	1	BUSSOLA - ENTRETOISE - SPACER
18	50186	2	PROTEZIONE - PROTECTION - GUARD	39	50343	1	BUSSOLA - ENTRETOISE - SPACER
19	50188	2	CHIAVETTA - CLAVETTE - KEY	40	20875	4	CUSCINETTO - ROULEMENT - BEARING
20	50527	1	PIGNONE - PIGNON - PINION (SX)	41	50650	2	DISTANZIALE - ENTRETOISE - SPACER
21	50528	1	PIGNONE - PIGNON - PINION (DX)				

NOTE - NOTES

Rasaerba - Tondeuses - Lawn mowers (5850 SVB)



Rasaerba - Tondeuses - Lawn mowers (5850 SVB)

RIF.	COD.	Q.	DESCRIZIONE - DESCRIPTION	RIF.	COD.	Q.	DESCRIZIONE - DESCRIPTION
REF.	N° / P P / N°			REF.	N° / P P / N°		
1	50602	1	MOTORE - MOTEUR - ENGINE	50	50618	1	MOLLA - RESSORT - SPRING (SX)
2	50306	1	CHIAVETTA - CLAVETTE - KEY	51	50031	1	DEFLETTORE - DEFLECTEUR - DEFLECTOR
3	50704	1	FLANGIA - FLASQUE - FLANGE	52	50227	1	CARTERINO - COUVERCLE - COVER
4	50846	1	CARTER - CAPOT - HOUSING	53	20316	1	RONDELLA - RONDELLE - WASHER
5a	40378	2	VITE - VIS - SCREW	54	50657	1	VITE - VIS - SCREW
5b	50870	1	VITE - VIS - SCREW	55	50196	1	TEGOLO - PLAQUE - GRILLE SPOON
6	50666	9	DADO - ECROU - NUT	56	20060	6	DADO - ECROU - NUT
7	50645	5	VITE - VIS - SCREW	57	50873	1	KIT : GALOPPINO - TENDEUR - TENSIONER
8	50088	1	PIASTRA - PLAQUE - PLATE (SX - ANT.)	58	20064	6	VITE - VIS - SCREW
9	50012	1	PIASTRA - PLAQUE - PLATE (DX - ANT.)	59	50193	2	PIASTRA - PLAQUE - PLATE
10	50221	1	CARTER - CAPOT - HOUSING (Rosso - Red)	60	50092	1	RETE - GRILLE
	50591	1	CARTER - CAPOT - HOUSING (Grigio - Gray)	61	50543	1	TELAIO - CHASSIS - FRAME
11	50235	1	TIRANTE - TIRAGE - STAY BAR	62	50192	1	TELA - TOILE - CANVAS (Verde - Green)
12	50090	2	STAFFA - PALIER - BRACKET		50726		TELA - TOILE - CANVAS (Nera - Black)
13	50769	1	FLAP	63	50544	4	DISTANZIALE - ENTRETOISE - SPACER
14	50770	1	PERNO - PIVOT - PIN	64	50667	8	CUSCINETTO - ROULEMENT - BEARING
15	50301	2	STARLOCK	65	50174	2	PARAPOLVERE - PROTECTION - GUARD
16	50251	1	MOZZO - MOYEUX - HUB Ø 25	66	20790	6	RASAMENTO - RONDELLE - WASHER
17	50195	1	LAMA - LAME - BLADE (55 cm)	67	50663	4	DADO - ECROU - NUT
18	50538	1	RONDELLA - RONDELLE - WASHER	68	50529	2	CORONA - COURONNE - CROWN
19	50871	1	VITE - VIS - SCREW	69	50702	2	RUOTA - ROUE - WHEEL
20	50069	1	CAVO - CABLE (Gas)	70	50684	2	KIT: RUOTA - ROUE - WHEEL
21	50748	2	MANUBRIO - MANCHERON - UPPER HANDLE (Inf.)	71	50104	2	CARTER (DX - GAS / VARIATORE)
22	50760	2	PIASTRA - PLAQUE - PLATE	72	50094	1	LEVA GAS - LEVIER GAS - GAS LEVER
23	50750	2	SUPPORTO - SUPPORT - MOUNTING	73	20190	6	VITE - VIS - SCREW
24	20788	3	DADO - ECROU - NUT	74	50103	1	CARTER (SX - GAS)
25	40007	6	VITE - VIS - SCREW	75	50833	1	CAVO - CABLE (Variatore)
26	50220	1	STAFFA - PALIER - BRACKET	76	50095	1	CAVO - CABLE (Freno - Brake)
27	20328	8	VITE - VIS - SCREW	77	50314	2	FASCETTA - CLIP
28	20176	7	DADO - ECROU - NUT	78	50105	1	GUIDA ZONE START - MANCHERON - HANDLE
29	21139	8	RONDELLA - RONDELLE - WASHER	79	50211	1	MANIGLIA - POIGNEE - HANDLE
30	20272	2	VITE - VIS - SCREW	80	50125	1	MANUBRIO - MANCHERON - UPPER HANDLE (Sup.)
31	50780	2	DISTANZIALE - ENTRETOISE - SPACER	81	50214	1	MANIGLIA - POIGNEE - HANDLE
32	50014	2	LEVA - LEVIER - LEVER	82	50558	2	STAFFA - PALIER - BRACKET
33	50308	2	MOLLA - RESSORT - SPRING	83	50206	1	STAFFA - PALIER - BRACKET
34	50291	2	BOCCOLA - ANNEAU - SPACER	84	40092	1	VITE - VIS - SCREW
35	40654	2	VITE - VIS - SCREW	85	50383	1	CAVO - CABLE (Trazione - Traction)
36	20317	3	DADO - ECROU - NUT	86	50836	1	CARTER (SX - VARIATORE)
37	20711	6	RONDELLA - RONDELLE - WASHER	87	50830	2	VITE - VIS - SCREW
38	50262	1	PULEGGIA - POULIE - PULLEY	98	50777	1	TRASMISSIONE - BOITE DE VIT. - GEARBOX
39	22682	1	CUSCINETTO - ROULEMENT - BEARING	99	50253	1	KIT: TRASMISSIONE - BOITE DE VIT. - GEARBOX
40	50315	1	SEEGER	100	40720	2	VITE - VIS - SCREW
41	50875	1	BOCCOLA - ANNEAU - SPACER	101	50679	1	CINGHIA - COURROIE - BELT
42	40392	1	VITE - VIS - SCREW	102	20289	2	DADO - ECROU - NUT
43	50767	1	BOCCOLA - ANNEAU - SPACER	103	50866	1	LEVA - LEVIER - LEVER
44	50232	1	LEVA - LEVIER - LEVER	104	50705	1	FLANGIA - FLASQUE - FLANGE
45	50311	1	MOLLA - RESSORT - SPRING	105	50878	1	STAFFA - PALIER - BRACKET
46	21686	1	RONDELLA - RONDELLE - WASHER	106	31216	2	DADO - ECROU - NUT
47	20786	1	VITE - VIS - SCREW	107	50191	1	CEST.COMP. - FABRIC CATCHER - BAC EN TOILE (Verde - Green)
48	50018	5	IMPUGNATURA - POIGNEE GUIDON - HANDLE		50827		CEST.COMP. - FABRIC CATCHER - BAC EN TOILE (Nero - Black)
49	50023	1	MOLLA - RESSORT - SPRING (DX)				

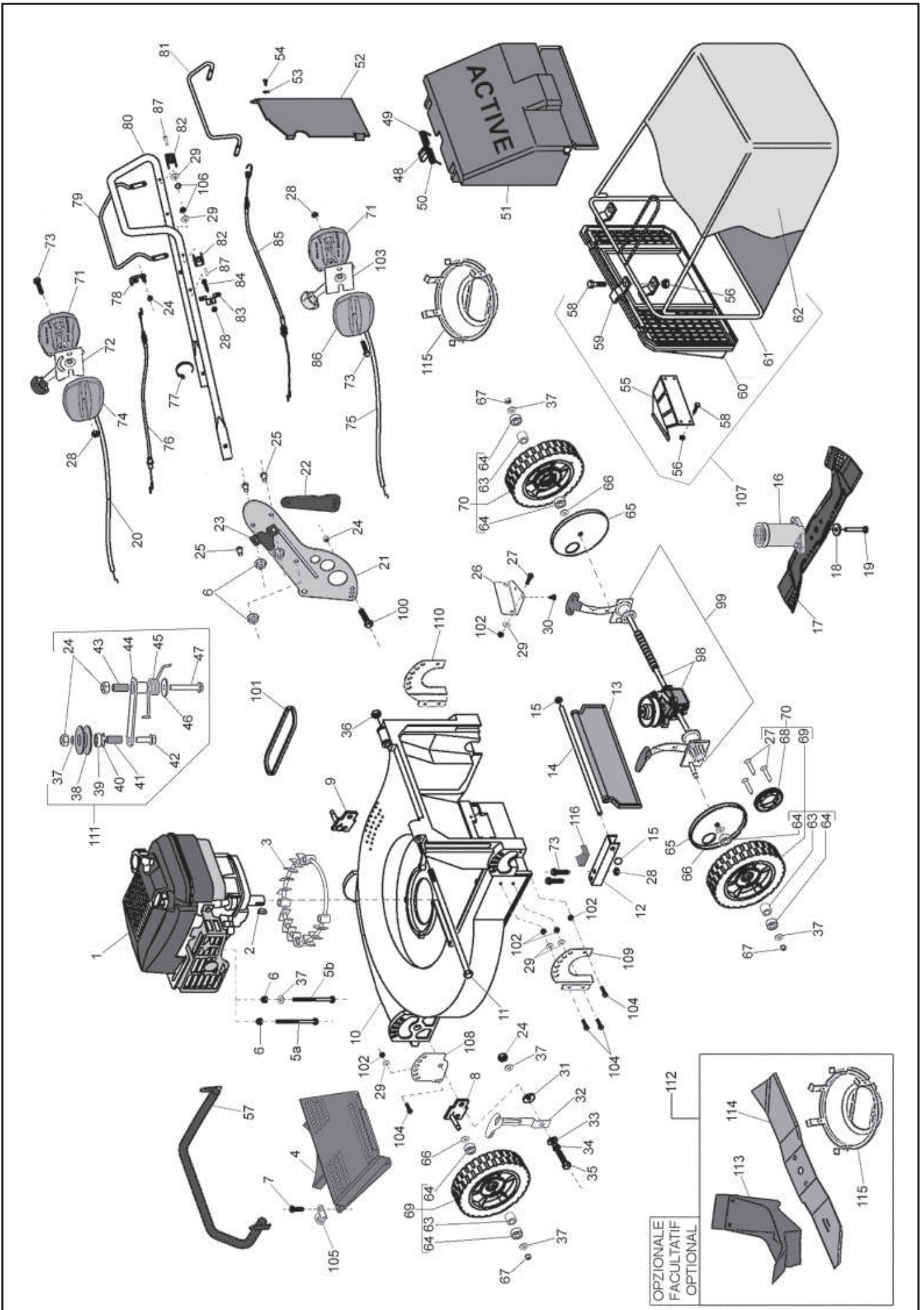
NOTE - NOTES



**Valido dal N° di serie
A partir de N° de matricule suivant
From serial N°**

58VB100001

Rasaerba - Tondeuses - Lawn mowers (5850 SVB)



Rasaerba - Tondeuses - Lawn mowers (5850 SVB)

RIF.	COD.	Q.	DESCRIZIONE - DESCRIPTION	RIF.	COD.	Q.	DESCRIZIONE - DESCRIPTION
REF.	N° / P / N°			REF.	N° / P / N°		
1	50602	1	MOTORE - MOTEUR - ENGINE	54	50657	1	VITE - VIS - SCREW
2	50306	1	CHIAVETTA - CLAVETTE - KEY	55	50196	1	TEGOLO - PLAQUE - GRILLE SPOON
3	50928	1	FLANGIA - FLASQUE - FLANGE	56	20060	6	DADO - EROU - NUT
4	50846	1	CARTER - CAPOT - HOUSING	57	50918	1	PROTEZIONE - PROTECTION - GUARD
5a	40378	2	VITE - VIS - SCREW	58	20064	6	VITE - VIS - SCREW
5b	50870	1	VITE - VIS - SCREW	59	50193	2	PIASTRA - PLAQUE - PLATE
6	50666	9	DADO - EROU - NUT	60	50092	1	RETE - GRILLE
7	50645	5	VITE - VIS - SCREW	61	50543	1	TELAIO - CHASSIS - FRAME
8	50088	1	PIASTRA - PLAQUE - PLATE (SX - ANT.)	62	50192	1	TELA - TOILE - CANVAS (Verde - Green)
9	50012	1	PIASTRA - PLAQUE - PLATE (DX - ANT.)		50726		TELA - TOILE - CANVAS (Nera - Black)
10	50221	1	CARTER - CAPOT - HOUSING (Rosso - Red)	63	50544	4	DISTANZIALE - ENTRETOISE - SPACER
	50591		CARTER - CAPOT - HOUSING (Grigio - Gray)	64	50667	8	CUSCINETTO - ROULEMENT - BEARING
11	50235	1	TIRANTE - TIRAGE - STAY BAR	65	50174	2	PARAPOLVERE - PROTECTION - GUARD
12	50090	2	STAFFA - PALIER - BRACKET	66	20790	6	RASAMENTO - RONDELLE - WASHER
13	50769	1	FLAP	67	50663	4	DADO - EROU - NUT
14	50770	1	PERNO - PIVOT - PIN	68	50529	2	CORONA - COURONNE - CROWN
15	50301	2	STARLOCK	69	50702	2	RUOTA - ROUE - WHEEL
16	50251	1	MOZZO - MOYEUR - HUB \varnothing 25	70	50684	2	KIT: RUOTA - ROUE - WHEEL
17	50195	1	LAMA - LAME - BLADE (55 cm)	71	50104	2	CARTER (DX - GAS / VARIATORE)
18	50538	1	RONDELLA - RONDELLE - WASHER	72	50094	1	LEVA GAS - LEVIER GAS - GAS LEVER
19	50871	1	VITE - VIS - SCREW	73	20190	6	VITE - VIS - SCREW
20	50069	1	CAVO - CABLE (Gas)	74	50103	1	CARTER (SX - GAS)
21	50748	2	MANUBRIO - MANCHERON - UPPER HANDLE (Inf.)	75	50833	1	CAVO - CABLE (Variatore)
22	50760	2	PIASTRA - PLAQUE - PLATE	76	50095	1	CAVO - CABLE (Freno - Brake)
23	50750	2	SUPPORTO - SUPPORT - MOUNTING	77	50314	2	FASCETTA - CLIP
24	20788	7	DADO - EROU - NUT	78	50105	1	GUIDA ZONE START - MANCHERON - HANDLE
25	40007	6	VITE - VIS - SCREW	79	50211	1	MANIGLIA - POIGNEE - HANDLE
26	50220	1	STAFFA - PALIER - BRACKET	80	50125	1	MANUBRIO - MANCHERON - UPPER HANDLE (Sup.)
27	20328	8	VITE - VIS - SCREW	81	50214	1	MANIGLIA - POIGNEE - HANDLE
28	20176	7	DADO - EROU - NUT	82	50558	2	STAFFA - PALIER - BRACKET
29	21139	10	RONDELLA - RONDELLE - WASHER	83	50206	1	STAFFA - PALIER - BRACKET
30	20272	2	VITE - VIS - SCREW	84	40092	1	VITE - VIS - SCREW
31	50780	2	DISTANZIALE - ENTRETOISE - SPACER	85	50383	1	CAVO - CABLE (Trazione - Traction)
32	50013	2	LEVA - LEVIER - LEVER	86	50836	1	CARTER (SX - VARIATORE)
33	50308	2	MOLLA - RESSORT - SPRING	87	50830	2	VITE - VIS - SCREW
34	50290	2	BOCCOLA - ANNEAU - SPACER	98	50777	1	TRASMISSIONE - BOITE DE VIT. - GEARBOX
35	40392	2	VITE - VIS - SCREW	99	50253	1	KIT: TRASMISSIONE - BOITE DE VIT. - GEARBOX
36	20317	1	DADO - EROU - NUT	100	40720	2	VITE - VIS - SCREW
37	20711	8	RONDELLA - RONDELLE - WASHER	101	50679	1	CINGHIA - COURROIE - BELT
38	50262	1	PULEGGIA - POULIE - PULLEY	102	20289	10	DADO - EROU - NUT
39	22682	1	CUSCINETTO - ROULEMENT - BEARING	103	50866	1	LEVA - LEVIER - LEVER
40	50315	1	SEEGER	104	35792	8	VITE - VIS - SCREW
41	50875	1	BOCCOLA - ANNEAU - SPACER	105	50878	1	STAFFA - PALIER - BRACKET
42	40392	1	VITE - VIS - SCREW	106	31216	2	DADO - EROU - NUT
43	50767	1	BOCCOLA - ANNEAU - SPACER	107	50191	1	CEST. COMP. - FABRIC CATCHER - BAC EN TOILE (Verde - Green)
44	50232	1	LEVA - LEVIER - LEVER		50827		CEST. COMP. - FABRIC CATCHER - BAC EN TOILE (Nero - Black)
45	50311	1	MOLLA - RESSORT - SPRING	108	50934	2	PIASTRA - PLAQUE - PLATE (ANT.)
46	21686	1	RONDELLA - RONDELLE - WASHER	109	50938	1	PIASTRA - PLAQUE - PLATE (SX - POST.)
47	20786	1	VITE - VIS - SCREW	110	50936	1	PIASTRA - PLAQUE - PLATE (DX - POST.)
48	50018	1	IMPUGNATURA - POIGNEE GUIDON - HANDLE	111	50873	1	KIT: GALOPPINO - TENDEUR - TENSIONER
49	50023	1	MOLLA - RESSORT - SPRING (DX)	112	50945	1	KIT MULCHING (OPTIONAL - FACULTATIF)
50	50618	1	MOLLA - RESSORT - SPRING (SX)	113	50947	1	TAPPO MULCHING - FERMA TURE - MULCHING PLUG
51	50031	1	DEFLETTORE - DEFLECTEUR - DEFLECTOR	114	50893	1	LAMA - LAME - BLADE (Mulching)
52	50227	1	CARTERINO - COUVERCLE - COVER	115	50946	1	CARTERINO - COUVERCLE - COVER
53	20316	1	RONDELLA - RONDELLE - WASHER	116	50636	2	DISTANZIALE - ENTRETOISE - SPACER

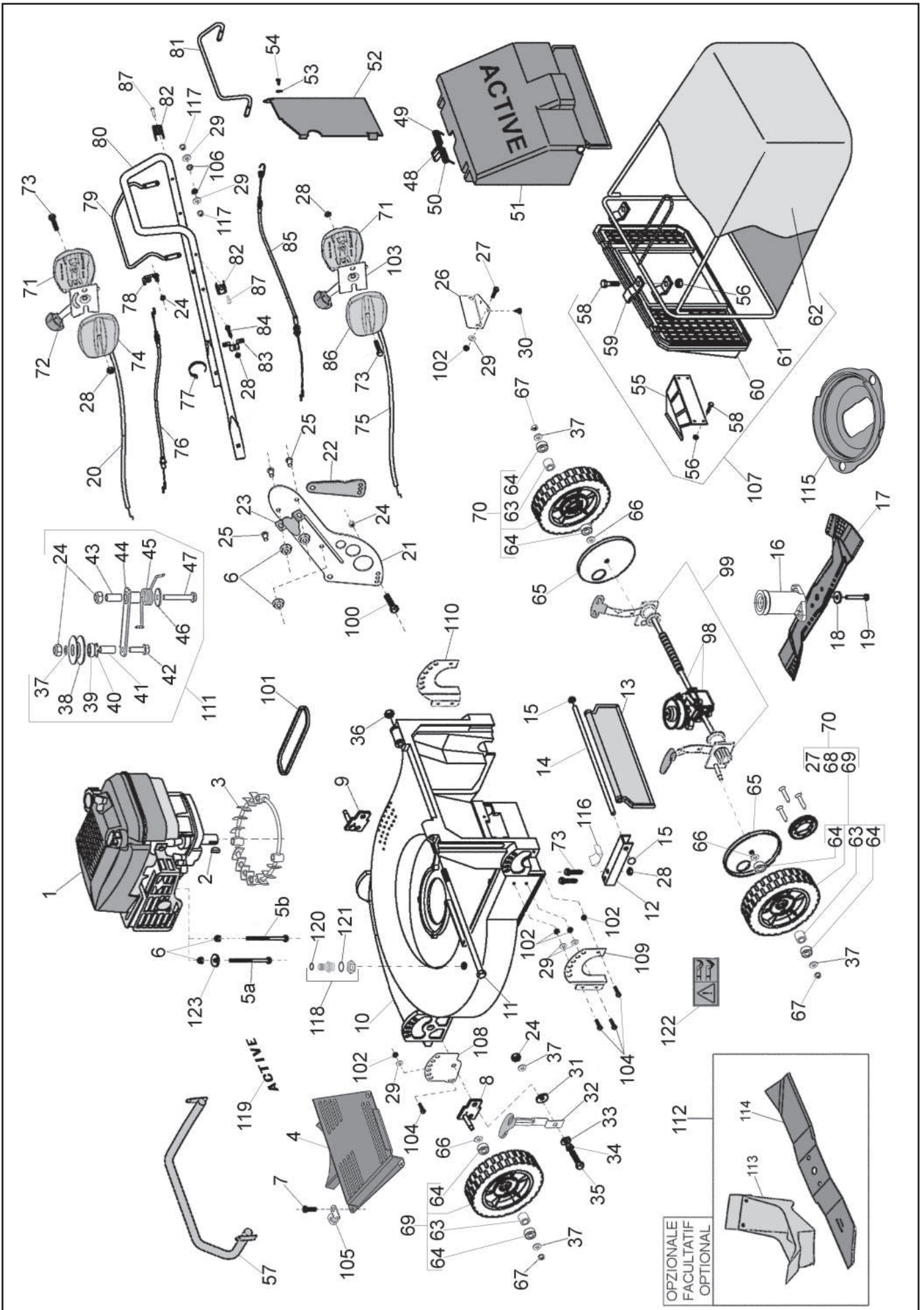
NOTE - NOTES



Valido dal N° di serie
A partir de N° de matricule suivant
From serial N°

58VB110001

Rasaerba - Tondeuses - Lawn mowers (5850 SVB)



Rasaerba - Tondeuses - Lawn mowers (5850 SVB)

RIF. REF.	COD. N° / P P / N°	Q.	DESCRIZIONE - DESCRIPTION	RIF. REF.	COD. N° / P P / N°	Q.	DESCRIZIONE - DESCRIPTION
1	50243	1	MOTORE - MOTEUR - ENGINE	58	20064	6	VITE - VIS - SCREW
2	50306	1	CHIAVETTA - CLAVETTE - KEY	59	50193	2	PIASTRA - PLAQUE - PLATE
3	50928	1	FLANGIA - FLASQUE - FLANGE	60	50092	1	RETE - GRILLE
4	50846	1	CARTER - CAPOT - HOUSING	61	50445	1	TELAIO - CHASSIS - FRAME
5a	40378	2	VITE - VIS - SCREW	62	50192	1	TELA - TOILE - CANVAS (Verde - Green)
5b	50870	1	VITE - VIS - SCREW		50726		TELA - TOILE - CANVAS (Nera - Black)
6	50666	9	DADO - ECROU - NUT	63	50544	4	DISTANZIALE - ENTRETOISE - SPACER
7	50645	5	VITE - VIS - SCREW	64	50667	8	CUSCINETTO - ROULEMENT - BEARING
8	50088	1	PIASTRA - PLAQUE - PLATE (SX - ANT.)	65	50174	2	PARAPOLVERE - PROTECTION - GUARD
9	50012	1	PIASTRA - PLAQUE - PLATE (DX - ANT.)	66	20790	6	RASAMENTO - RONDELLE - WASHER
10	50221	1	CARTER - CAPOT - HOUSING (Rosso - Red)	67	50663	4	DADO - ECROU - NUT
	50591		CARTER - CAPOT - HOUSING (Grigio - Gray)	68	50529	2	CORONA - COURONNE - CROWN
11	50235	1	TIRANTE - TIRAGE - STAY BAR	69	50702	2	RUOTA - ROUE - WHEEL
12	50090	2	STAFFA - PALIER - BRACKET	70	50684	2	KIT: RUOTA - ROUE - WHEEL
13	50769	1	FLAP	71	50104	2	CARTER (DX - GAS / VARIATORE)
14	50770	1	PERNO - PIVOT - PIN	72	50094	1	LEVA GAS - LEVIER GAS - GAS LEVER
15	50301	2	STARLOCK	73	20190	6	VITE - VIS - SCREW
16	50251	1	MOZZO - MOYEUR - HUB \varnothing 25	74	50103	1	CARTER (SX - GAS)
17	50195	1	LAMA - LAME - BLADE (55 cm)	75	50833	1	CAVO - CABLE (Variatore)
18	50538	1	RONDELLA - RONDELLE - WASHER	76	50095	1	CAVO - CABLE (Freno - Brake)
19	50871	1	VITE - VIS - SCREW	77	50314	2	FASCETTA - CLIP
20	50712	1	CAVO - CABLE (Gas)	78	50105	1	GUIDA ZONE START - MANCHERON - HANDLE
21	50748	2	MANUBRIO - MANCHERON - UPPER HANDLE (Inf.)	79	50211	1	MANIGLIA - POIGNEE - HANDLE
22	50760	2	PIASTRA - PLAQUE - PLATE	80	50125	1	MANUBRIO - MANCHERON - UPPER HANDLE (Sup.)
23	50750	2	SUPPORTO - SUPPORT - MOUNTING	81	50214	1	MANIGLIA - POIGNEE - HANDLE
24	20788	7	DADO - ECROU - NUT	82	50558	2	STAFFA - PALIER - BRACKET
25	40007	6	VITE - VIS - SCREW	83	50206	1	STAFFA - PALIER - BRACKET
26	50220	1	STAFFA - PALIER - BRACKET	84	40092	1	VITE - VIS - SCREW
27	20328	8	VITE - VIS - SCREW	85	50383	1	CAVO - CABLE (Trazione - Traction)
28	20176	7	DADO - ECROU - NUT	86	50836	1	CARTER (SX - VARIATORE)
29	21139	10	RONDELLA - RONDELLE - WASHER	87	22045	2	VITE - VIS - SCREW
30	20272	2	VITE - VIS - SCREW	98	50777	1	TRASMISSIONE - BOITE DE VIT. - GEARBOX
31	50780	2	DISTANZIALE - ENTRETOISE - SPACER	99	50253	1	KIT: TRASMISSIONE - BOITE DE VIT. - GEARBOX
32	50013	2	LEVA - LEVIER - LEVER	100	40720	2	VITE - VIS - SCREW
33	50308	2	MOLLA - RESSORT - SPRING	101	50679	1	CINGHIA - COURROIE - BELT
34	50290	2	BOCCOLA - ANNEAU - SPACER	102	20289	10	DADO - ECROU - NUT
35	40392	2	VITE - VIS - SCREW	103	50866	1	LEVA - LEVIER - LEVER
36	20317	1	DADO - ECROU - NUT	104	35792	8	VITE - VIS - SCREW
37	20711	7	RONDELLA - RONDELLE - WASHER	105	50878	1	STAFFA - PALIER - BRACKET
38	50262	1	PULEGGIA - POULIE - PULLEY	106	31216	2	DADO - ECROU - NUT
39	22682	1	CUSCINETTO - ROULEMENT - BEARING	107	50363	1	CEST.COMP. - FABRIC CATCHER - BAC EN TOILE (Verde - Green)
40	50315	1	SEEGER		50364		CEST.COMP. - FABRIC CATCHER - BAC EN TOILE (Nero - Black)
41	50875	1	BOCCOLA - ANNEAU - SPACER	108	50934	2	PIASTRA - PLAQUE - PLATE (ANT.)
42	40392	1	VITE - VIS - SCREW	109	50938	1	PIASTRA - PLAQUE - PLATE (SX - POST.)
43	50767	1	BOCCOLA - ANNEAU - SPACER	110	50936	1	PIASTRA - PLAQUE - PLATE (DX - POST.)
44	50232	1	LEVA - LEVIER - LEVER	111	50873	1	KIT: GALOPPINO - TENDEUR - TENSIONER
45	50311	1	MOLLA - RESSORT - SPRING	112	50473	1	KIT MULCHING (OPTIONAL - FACULTATIF)
46	21686	1	RONDELLA - RONDELLE - WASHER	113	50947	1	TAPO MULCHING - FERMA TURE - MULCHING PLUG
47	20786	1	VITE - VIS - SCREW	114	50893	1	LAMA - LAME - BLADE (Mulching)
48	50018	1	GOMMINO - CAOUTCHOUC - RUBBER	115	50063	1	CARTERINO - COUVERCLE - COVER
49	50023	1	MOLLA - RESSORT - SPRING (DX)	116	50636	2	DISTANZIALE - ENTRETOISE - SPACER
50	50618	1	MOLLA - RESSORT - SPRING (SX)	117	20917	2	DADO - ECROU - NUT
51	50031	1	DEFLETTORE - DEFLECTEUR - DEFLECTOR	118	50209	1	ATTACCO ACQUA - RACCORDEMENT A L'EAU - WATER CONNECTION
52	50227	1	CARTERINO - COUVERCLE - COVER	119	50762	1	ADESIVO ACTIVE - MARQUE - BRAND
53	20316	1	RONDELLA - RONDELLE - WASHER	120	23755	1	GOMMINO - CAOUTCHOUC - RUBBER
54	50657	1	VITE - VIS - SCREW	121	23758	1	GOMMINO - CAOUTCHOUC - RUBBER
55	50196	1	TEGOLO - PLAQUE - GRILLE SPOON	122	50909	1	ADESIVO - ADHESIF - ADHESIVE
56	20060	6	DADO - ECROU - NUT	123	40229	2	RONDELLA - RONDELLE - WASHER
57	50918	1	PROTEZIONE - PROTECTION - GUARD				

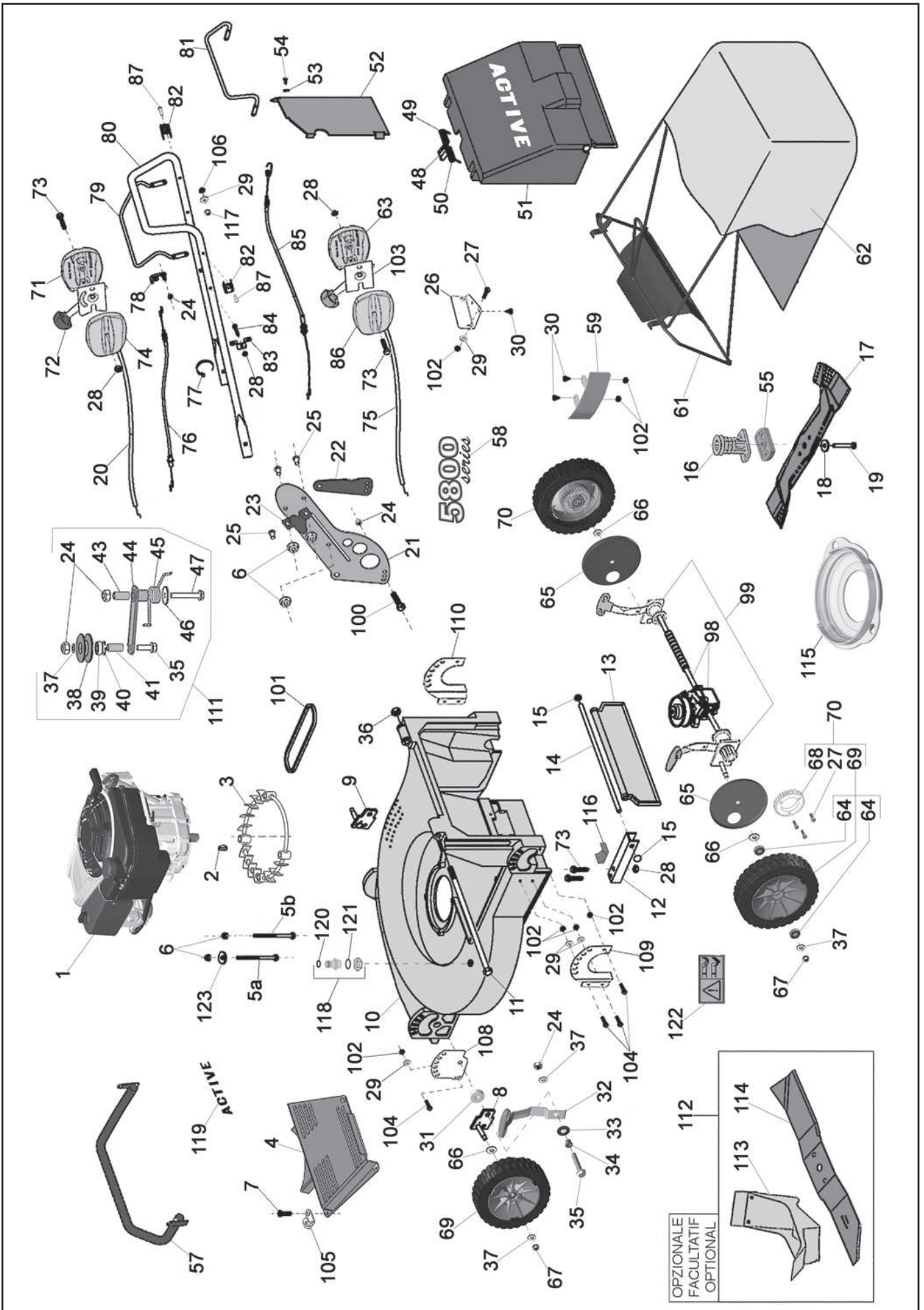
NOTE - NOTES



Valido dal N° di serie
A partir de N° de matricule suivant
From serial N°

58VB130001

Rasaerba - Tondeuses - Lawn mowers (5850 SVB)



Rasaerba - Tondeuses - Lawn mowers (5850 SVB)

RIF.	COD.	Q.	DESCRIZIONE - DESCRIPTION	RIF.	COD.	Q.	DESCRIZIONE - DESCRIPTION
REF.	N° / P P / N°			REF.	N° / P P / N°		
1	50243	1	MOTORE - MOTEUR - ENGINE	57	50918	1	PROTEZIONE - PROTECTION - GUARD
2	50306	1	CHIAVETTA - CLAVETTE - KEY	58	50637	1	ADESIVO - MARQUE - BRAND
3	50928	1	FLANGIA - FLASQUE - FLANGE	59	50567	1	PIASTRA - PLAQUE - PLATE
4	50846	1	CARTER - CAPOT - HOUSING	61	50058	1	TELAIO - CHASSIS - FRAME
5a	40378	2	VITE - VIS - SCREW	62	50697	1	TELA - TOILE - CANVAS (Verde - Green)
5b	50870	1	VITE - VIS - SCREW		50817		TELA - TOILE - CANVAS (Nera - Black)
6	50666	9	DADO - ECROU - NUT	63	50210	1	CARTER (DX - VARIATORE)
7	50645	5	VITE - VIS - SCREW	64	50155	8	CUSCINETTO - ROULEMENT - BEARING
8	50088	1	PIASTRA - PLAQUE - PLATE (SX - ANT.)	65	50174	2	PARAPOLVERE - PROTECTION - GUARD
9	50012	1	PIASTRA - PLAQUE - PLATE (DX - ANT.)	66	20790	6	RASAMENTO - RONDELLE - WASHER
10	50221	1	CARTER - CAPOT - HOUSING (Rosso - Red)	67	50663	4	DADO - ECROU - NUT
	50591	1	CARTER - CAPOT - HOUSING (Grigio - Gray)	68	50529	2	CORONA - COURONNE - CROWN
11	50235	1	TIRANTE - TIRAGE - STAY BAR	69	50702	2	RUOTA - ROUE - WHEEL
12	50090	2	STAFFA - PALIER - BRACKET	70	50684	2	KIT: RUOTA - ROUE - WHEEL
13	50769	1	FLAP	71	50104	1	CARTER (DX - GAS)
14	50770	1	PERNO - PIVOT - PIN	72	50094	1	LEVA GAS - LEVIER GAS - GAS LEVER
15	50301	2	STARLOCK	73	20190	6	VITE - VIS - SCREW
16	50608	1	MOZZO - MOYEUR - HUB Ø 25	74	50545	1	CARTER (SX - GAS)
17	50195	1	LAMA - LAME - BLADE (55 cm)	75	50833	1	CAVO - CABLE (Variatore)
18	50538	1	RONDELLA - RONDELLE - WASHER	76	50095	1	CAVO - CABLE (Freno - Brake)
19	50871	1	VITE - VIS - SCREW	77	50314	3	FASCETTA - CLIP
20	50712	1	CAVO - CABLE (Gas)	78	50105	1	GUIDA ZONE START - MANCHERON - HANDLE
21	50748	2	MANUBRIO - MANCHERON - UPPER HANDLE (Inf.)	79	50211	1	MANIGLIA - POIGNEE - HANDLE
22	50760	2	PIASTRA - PLAQUE - PLATE	80	50125	1	MANUBRIO - MANCHERON - UPPER HANDLE (Sup.)
23	50750	2	SUPPORTO - SUPPORT - MOUNTING	81	50214	1	MANIGLIA - POIGNEE - HANDLE
24	20788	7	DADO - ECROU - NUT	82	50558	2	STAFFA - PALIER - BRACKET
25	40007	6	VITE - VIS - SCREW	83	50206	1	STAFFA - PALIER - BRACKET
26	50220	1	STAFFA - PALIER - BRACKET	84	40092	1	VITE - VIS - SCREW
27	20328	8	VITE - VIS - SCREW	85	50383	1	CAVO - CABLE (Trazione - Traction)
28	20176	7	DADO - ECROU - NUT	86	50836	1	CARTER (SX - VARIATORE)
29	21139	10	RONDELLA - RONDELLE - WASHER	87	22045	2	VITE - VIS - SCREW
30	20272	4	VITE - VIS - SCREW	98	50777	1	TRASMISSIONE - BOITE DE VIT. - GEARBOX
31	50780	2	DISTANZIALE - ENTRETOISE - SPACER	99	50253	1	KIT: TRASMISSIONE - BOITE DE VIT. - GEARBOX
32	50013	2	LEVA - LEVIER - LEVER	100	40720	2	VITE - VIS - SCREW
33	50308	2	MOLLA - RESSORT - SPRING	101	50679	1	CINGHIA - COURROIE - BELT
34	50290	2	BOCCOLA - ANNEAU - SPACER	102	20289	12	DADO - ECROU - NUT
35	40392	3	VITE - VIS - SCREW	103	50866	1	LEVA - LEVIER - LEVER
36	20317	1	DADO - ECROU - NUT	104	35792	8	VITE - VIS - SCREW
37	20711	7	RONDELLA - RONDELLE - WASHER	105	50878	1	STAFFA - PALIER - BRACKET
38	50262	1	PULEGGIA - POULIE - PULLEY	106	31216	2	DADO - ECROU - NUT
39	22682	1	CUSCINETTO - ROULEMENT - BEARING	108	50934	2	PIASTRA - PLAQUE - PLATE (ANT.)
40	50315	1	SEEGER	109	50938	1	PIASTRA - PLAQUE - PLATE (SX - POST.)
41	50875	1	BOCCOLA - ANNEAU - SPACER	110	50936	1	PIASTRA - PLAQUE - PLATE (DX - POST.)
43	50767	1	BOCCOLA - ANNEAU - SPACER	111	50873	1	KIT: GALLOPPINO - TENDEUR - TENSIONER
44	50232	1	LEVA - LEVIER - LEVER	112	50473	1	KIT: MULCHING (OPTIONAL - FACULTATIF)
45	50311	1	MOLLA - RESSORT - SPRING	113	50947	1	TAPPO MULCHING - FERMATURE - MULCHING PLUG
46	21686	1	RONDELLA - RONDELLE - WASHER	114	50893	1	LAMA - LAME - BLADE (Mulching)
47	20786	1	VITE - VIS - SCREW	115	50063	1	CARTERINO - COUVERCLE - COVER
48	50018	1	GOMMINO - CAOUTCHOUC - RUBBER	116	50636	2	DISTANZIALE - ENTRETOISE - SPACER
49	50023	1	MOLLA - RESSORT - SPRING (DX)	117	20917	2	DADO - ECROU - NUT
50	50618	1	MOLLA - RESSORT - SPRING (SX)	118	50209	1	ATTACCO ACQUA - RACCORDEMENT à L'EAU - WATER CONNECTION
51	50031	1	DEFLETTORE - DEFLECTEUR - DEFLECTOR	119	50762	1	ADESIVO ACTIVE - MARQUE - BRAND
52	50227	1	CARTERINO - COUVERCLE - COVER	120	23755	1	GOMMINO - CAOUTCHOUC - RUBBER
53	20316	1	RONDELLA - RONDELLE - WASHER	121	23758	1	GOMMINO - CAOUTCHOUC - RUBBER
54	50657	1	VITE - VIS - SCREW	122	50909	1	ADESIVO - ADHESIF - ADHESIVE
55	50348	1	DISTANZIALE - ENTRETOISE - SPACER	123	40229	2	RONDELLA - RONDELLE - WASHER

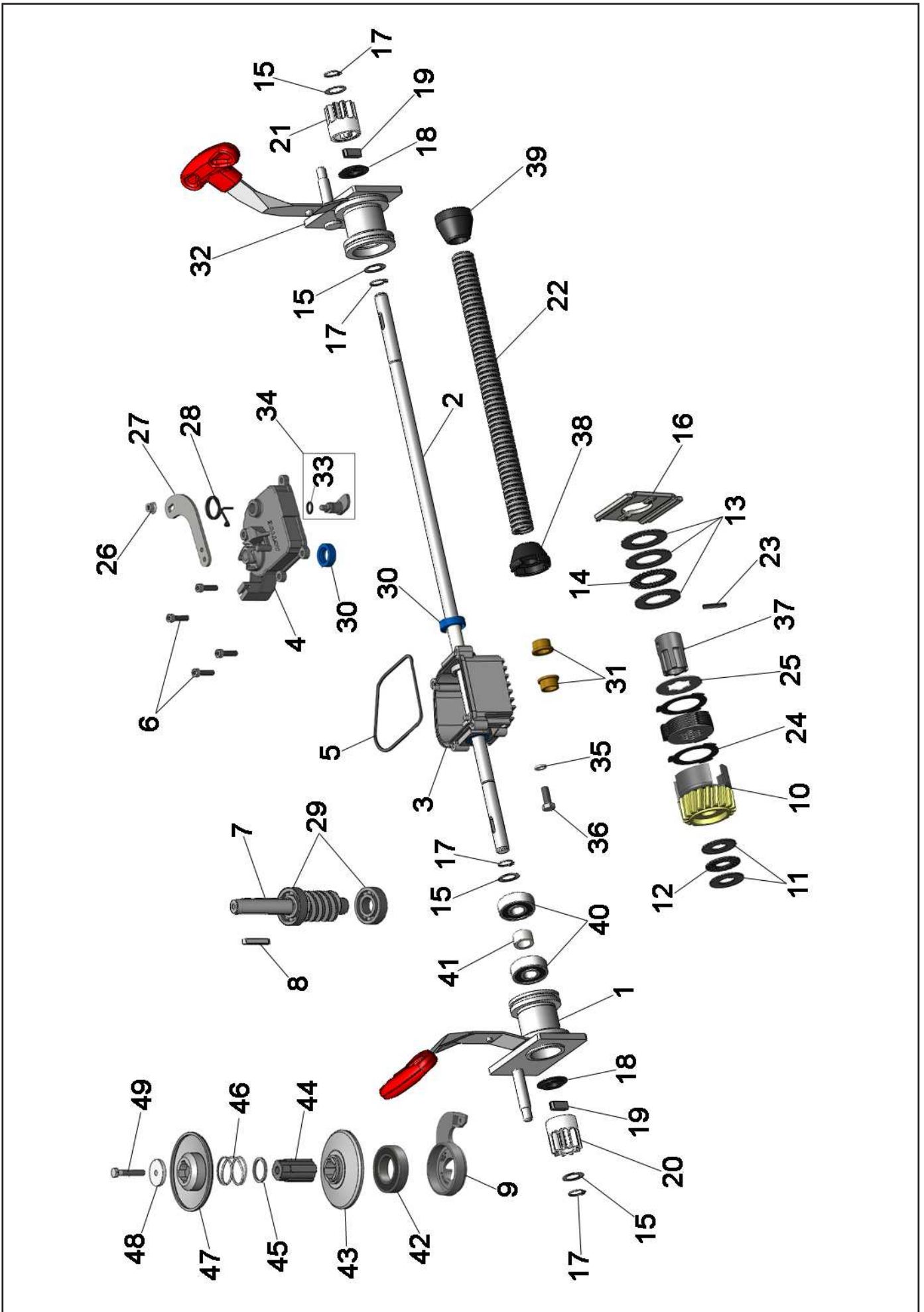
NOTE - NOTES



Valido dal N° di serie
A partir de N° de matricule suivant
From serial N°

58VB140001

50253 Trasmissione - Transmission - Transmission

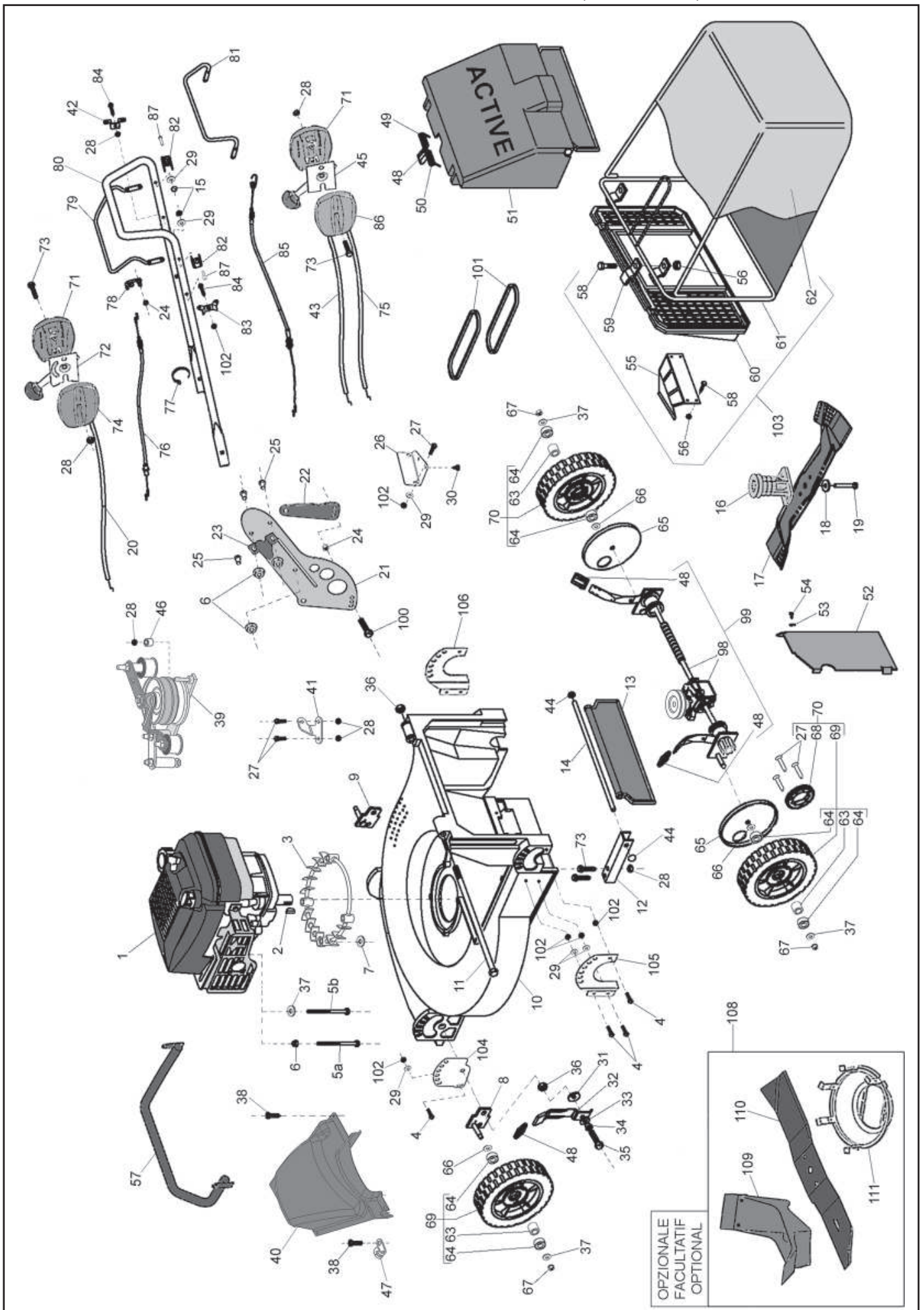


50253 Trasmissione - Transmission - Transmission

RIF. REF.	COD. N° / P P / N°	Q.	DESCRIZIONE - DESCRIPTION	RIF. REF.	COD. N° / P P / N°	Q.	DESCRIZIONE - DESCRIPTION
1	50272	1	PIASTRA - PLAQUE - PLATE (POST.SX)	26	50519	1	DADO - ECROU - NUT
2	50649	1	ALBERO - ARBRE - SHAFT	27	50255	1	LEVA - LEVIER - LEVER
3	50606	1	SCATOLA - BOITE - BOX	28	50310	1	MOLLA - RESSORT - SPRING
4	50259	1	COPERCHIO - COUVERTURE - COVER	29	22511	2	CUSCINETTO - ROULEMENT - BEARING
5	50321	1	GUARNIZIONE - JOINT - GASKET	30	50320	3	ANELLO DI TENUTA - JOINT - SEAL
6	20001	4	VITE - VIS - SCREW	31	50540	2	BUSSOLA - ENTRETOISE - SPACER
7	50525	1	VITE S.F. - VIS - SCREW	32	50273	1	PIASTRA - PLAQUE - PLATE (POST.DX)
8	50713	1	CHIAVETTA - CLAVETTE - KEY	33	20324	1	O-RING
9	50244	1	LEVA - LEVIER - LEVER	34	50179	1	LEVA - LEVIER - LEVER
10	50281	1	ASSIEME CAMPANA - TAMBOUR - DRUM	35	50772	1	RONDELLA - RONDELLE - WASHER
11	50303	1	RONDELLA - RONDELLE - WASHER	36	50771	1	VITE - VIS - SCREW
12	50521	1	CUSCINETTO - ROULEMENT - BEARING	37	50284	1	BUSSOLA - ENTRETOISE - SPACER
13	50261	3	RONDELLA - RONDELLE - WASHER	38	50342	1	BUSSOLA - ENTRETOISE - SPACER
14	50522	1	CUSCINETTO - ROULEMENT - BEARING	39	50343	1	BUSSOLA - ENTRETOISE - SPACER
15	50678	4	RASAMENTO - RONDELLE - WASHER SHIMS	40	20875	4	CUSCINETTO - ROULEMENT - BEARING
16	50546	1	LEVA - LEVIER - LEVER	41	50650	2	DISTANZIALE - ENTRETOISE - SPACER
17	20218	4	SEEGER	42	50675	1	CUSCINETTO - ROULEMENT - BEARING
18	50186	2	PROTEZIONE - PROTECTION - GUARD	43	50246	1	PULEGGIA - POULIE - PULLEY (inf.)
19	50188	2	CHIAVETTA - CLAVETTE - KEY	44	50248	1	PERNO - PIVOT - PIN
20	50527	1	PIGNONE - PIGNON - PINION (SX)	45	50250	1	RONDELLA - RONDELLE - WASHER
21	50528	1	PIGNONE - PIGNON - PINION (DX)	46	50312	1	MOLLA - RESSORT - SPRING
22	50449	1	PROTEZIONE - PROTECTION - GUARD	47	50247	1	PULEGGIA - POULIE - PULLEY (sup.)
23	50295	1	SPINA ELAST. - GOUPILLES - ELAST.PIN	48	50523	1	RONDELLA - RONDELLE - WASHER
24	50706	10	DISCO - DISK	49	50677	1	VITE - VIS - SCREW
25	50707	10	DISCO - DISK				

NOTE - NOTES

Rasaerba - Tondeuses - Lawn mowers (5850 SWH)



Rasaerba - Tondeuses - Lawn mowers (5850 SWH)

RIF.	COD.	Q.	DESCRIZIONE - DESCRIPTION	RIF.	COD.	Q.	DESCRIZIONE - DESCRIPTION
REF.	N° / P P / N°			REF.	N° / P P / N°		
1	50605	1	MOTORE - MOTEUR - ENGINE	51	50031	1	DEFLETTORE - DEFLECTEUR - DEFLECTOR
2	50305	1	CHIAVETTA - CLAVETTE - KEY	52	50227	1	CARTERINO - COUVERCLE - COVER
3	50928	1	FLANGIA - FLASQUE - FLANGE	53	20316	1	RONDELLA - RONDELLE - WASHER
4	35792	8	VITE - VIS - SCREW	54	50657	1	VITE - VIS - SCREW
5a	40291	1	VITE - VIS - SCREW	55	50196	1	TEGOLO - PLAQUE - GRILLE SPOON
5b	50733	3	VITE - VIS - SCREW	56	20060	6	DADO - ECROU - NUT
6	50666	7	DADO - ECROU - NUT	57	50918	1	PROTEZIONE - PROTECTION - GUARD
7	50753	4	RONDELLA - RONDELLE - WASHER	58	20064	6	VITE - VIS - SCREW
8	50088	1	PIASTRA - PLAQUE - PLATE (SX - ANT.)	59	50193	2	PIASTRA - PLAQUE - PLATE
9	50012	1	PIASTRA - PLAQUE - PLATE (DX - ANT.)	60	50092	1	RETE - GRILLE
10	50221	1	CARTER - CAPOT - HOUSING (Rosso - Red)	61	50543	1	TELAIO - CHASSIS - FRAME
	50591		CARTER - CAPOT - HOUSING (Grigio - Gray)	62	50192	1	TELA - TOILE - CANVAS (Verde - Green)
11	50235	1	TIRANTE - TIRAGE - STAY BAR		50726		TELA - TOILE - CANVAS (Nera - Black)
12	50090	2	STAFFA - PALIER - BRACKET	63	50544	4	DISTANZIALE - ENTRETOISE - SPACER
13	50769	1	FLAP	64	50667	8	CUSCINETTO - ROULEMENT - BEARING
14	50770	1	PERNO - PIVOT - PIN	65	50174	2	PARAPOLVERE - PROTECTION - GUARD
15	31216	2	DADO - ECROU - NUT	66	20790	6	RASAMENTO - RONDELLE - WASHER
16	50609	1	MOZZO - MOYEUX - HUB (Ø25,4 + Ø22,2)	67	50663	4	DADO - ECROU - NUT
17	50195	1	LAMA - LAME - BLADE (55 cm)	68	50529	2	CORONA - COURONNE - CROWN
18	50538	1	RONDELLA - RONDELLE - WASHER	69	50702	2	RUOTA - ROUE - WHEEL
19	50641	1	VITE - VIS - SCREW	70	50684	2	KIT: RUOTA - ROUE - WHEEL
20	50069	1	CAVO - CABLE (Gas)	71	50104	2	CARTER (DX - GAS / VARIATORE)
21	50748	2	MANUBRIO - MANCHERON - UPPER HANDLE (Inf.)	72	50094	2	LEVA GAS - LEVIER GAS - GAS LEVER
22	50760	2	PIASTRA - PLAQUE - PLATE	73	20190	6	VITE - VIS - SCREW
23	50750	2	SUPPORTO - SUPPORT - MOUNTING	74	50103	1	CARTER (SX - GAS)
24	20788	3	DADO - ECROU - NUT	75	50868	1	CAVO - CABLE (Variatore inf.)
25	40007	6	VITE - VIS - SCREW	76	50889	1	CAVO - CABLE (Freno - Brake)
26	50220	1	STAFFA - PALIER - BRACKET	77	50314	2	FASCETTA - CLIP
27	20328	10	VITE - VIS - SCREW	78	50105	1	GUIDA ZONE START - MANCHERON - HANDLE
28	20176	10	DADO - ECROU - NUT	79	50211	1	MANIGLIA - POIGNEE - HANDLE
29	21139	14	RONDELLA - RONDELLE - WASHER	80	50932	1	MANUBRIO - MANCHERON - UPPER HANDLE (Sup.)
30	20272	2	VITE - VIS - SCREW	81	50214	1	MANIGLIA - POIGNEE - HANDLE
31	50780	2	DISTANZIALE - ENTRETOISE - SPACER	82	50558	2	STAFFA - ETRIER - STIRRUP
32	50014	2	LEVA - LEVIER - LEVER	83	50205	1	STAFFA - PALIER - BRACKET
33	50308	2	MOLLA - RESSORT - SPRING	84	40092	2	VITE - VIS - SCREW
34	50291	2	BOCCOLA - ANNEAU - SPACER	85	50383	1	CAVO - CABLE (Trazione - Traction)
35	50957	2	VITE - VIS - SCREW	86	50836	1	CARTER (SX - VARIATORE)
36	20317	3	DADO - ECROU - NUT	87	50830	2	VITE - VIS - SCREW
37	20711	7	RONDELLA - RONDELLE - WASHER	98	50778	1	TRASMISSIONE - BOITE DE VIT. - GEARBOX
38	50645	5	VITE - VIS - SCREW	99	50256	1	KIT: TRASMISSIONE - BOITE DE VIT. - GEARBOX
39	50664	1	VARIATORE - VARIATEUR - VARIATOR	100	40720	2	VITE - VIS - SCREW
40	50858	1	CARTER - CAPOT - HOUSING	101	50318	2	CINGHIA - COURROIE - BELT
41	50856	1	PIASTRA - PLAQUE - PLATE	102	20289	12	DADO - ECROU - NUT
42	50206	1	STAFFA - PALIER - BRACKET	103	50191	1	CEST. COMP. - FABRIC CATCHER - BAC EN TOILE (Verde - Green)
43	50867	1	CAVO - CABLE (Variatore sup.)		50827		CEST. COMP. - FABRIC CATCHER - BAC EN TOILE (Nero - Black)
44	50301	2	STARLOCK	104	50934	2	PIASTRA - PLAQUE - PLATE (ANT.)
45	50888	1	LEVA - LEVIER - LEVER	105	50938	1	PIASTRA - PLAQUE - PLATE (SX - POST.)
46	21239	1	DISTANZIALE - ENTRETOISE - SPACER	106	50936	1	PIASTRA - PLAQUE - PLATE (DX - POST.)
47	50878	1	STAFFA - PALIER - BRACKET	108	50945	1	KIT MULCHING (OPTIONAL - FACULTATIF)
48	50018	5	IMPUGNATURA - POIGNEE GUIDON - HANDLE	109	50947	1	TAPPO MULCHING - FERMATURE - MULCHING PLUG
49	50023	1	MOLLA - RESSORT - SPRING (DX)	110	50893	1	LAMA - LAME - BLADE (Mulching)
50	50618	1	MOLLA - RESSORT - SPRING (SX)	111	50946	1	CARTERINO - COUVERCLE - COVER (Mulching)

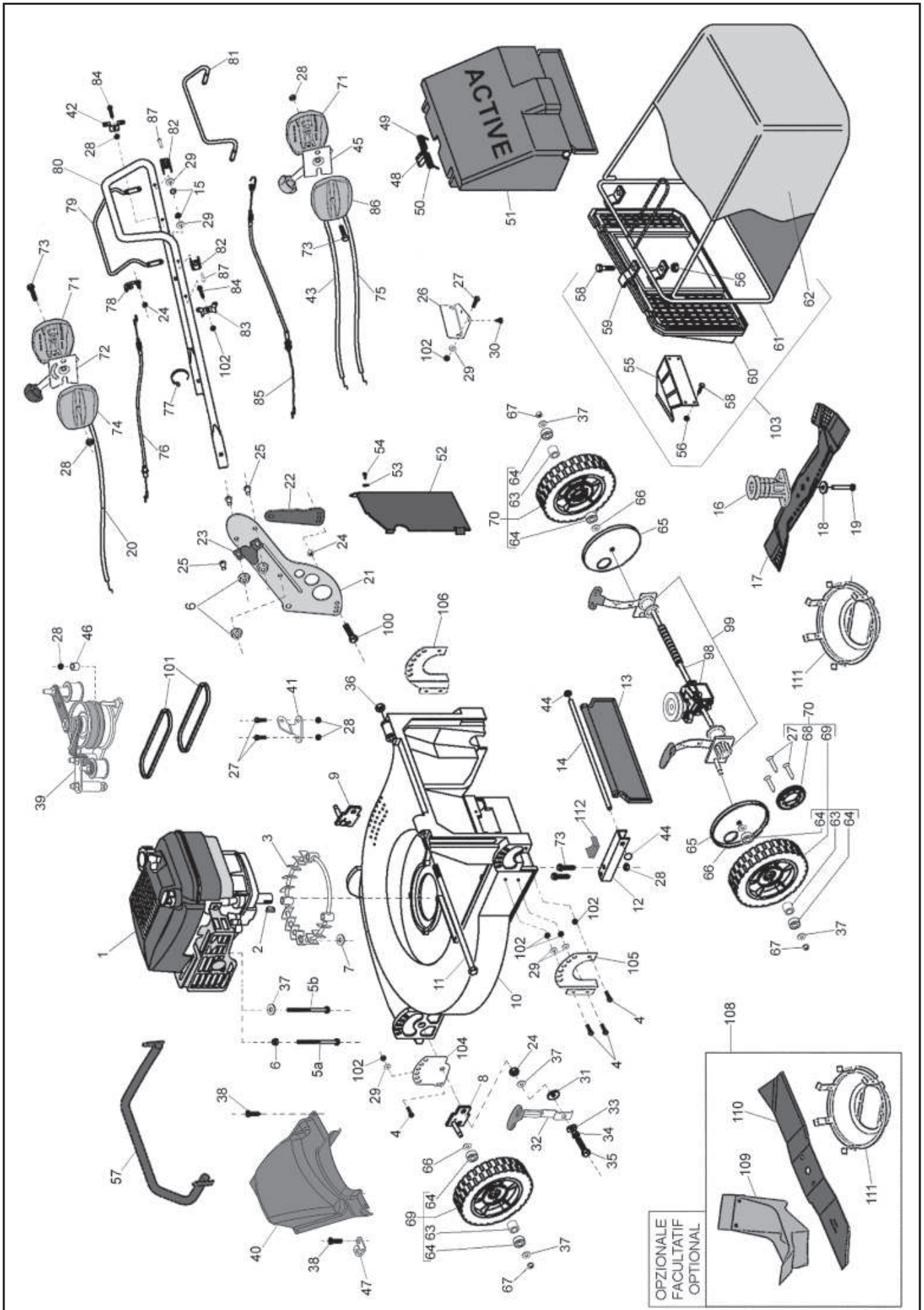
NOTE - NOTES



Valido dal N° di serie
A partir de N° de matricule suivant
From serial N°

58VB10001

Rasaerba - Tondeuses - Lawn mowers (5850 SWH)



Rasaerba - Tondeuses - Lawn mowers (5850 SWH)

RIF.	COD.	Q.	DESCRIZIONE - DESCRIPTION	RIF.	COD.	Q.	DESCRIZIONE - DESCRIPTION
REF.	N° / P P / N°			REF.	N° / P P / N°		
1	50605	1	MOTORE - MOTEUR - ENGINE	52	50227	1	CARTERINO - COUVERCLE - COVER
2	50305	1	CHIAVETTA - CLAVETTE - KEY	53	20316	1	RONDELLA - RONDELLE - WASHER
3	50928	1	FLANGIA - FLASQUE - FLANGE	54	50657	1	VITE - VIS - SCREW
4	35792	8	VITE - VIS - SCREW	55	50196	1	TEGOLO - PLAQUE - GRILLE SPOON
5a	40291	1	VITE - VIS - SCREW	56	20060	6	DADO - ECROU - NUT
5b	50733	3	VITE - VIS - SCREW	57	50918	1	PROTEZIONE - PROTECTION - GUARD
6	50666	7	DADO - ECROU - NUT	58	20064	6	VITE - VIS - SCREW
7	50753	4	RONDELLA - RONDELLE - WASHER	59	50193	2	PIASTRA - PLAQUE - PLATE
8	50088	1	PIASTRA - PLAQUE - PLATE (SX - ANT.)	60	50092	1	RETE - GRILLE
9	50012	1	PIASTRA - PLAQUE - PLATE (DX - ANT.)	61	50543	1	TELAIO - CHASSIS - FRAME
10	50221	1	CARTER - CAPOT - HOUSING (Rosso - Red)	62	50192	1	TELA - TOILE - CANVAS (Verde - Green)
	50591		CARTER - CAPOT - HOUSING (Grigio - Gray)		50726		TELA - TOILE - CANVAS (Nera - Black)
11	50235	1	TIRANTE - TIRAGE - STAY BAR	63	50544	4	DISTANZIALE - ENTRETOISE - SPACER
12	50090	2	STAFFA - PALIER - BRACKET	64	50667	8	CUSCINETTO - ROULEMENT - BEARING
13	50769	1	FLAP	65	50174	2	PARAPOLVERE - PROTECTION - GUARD
14	50770	1	PERNO - PIVOT - PIN	66	20790	6	RASAMENTO - RONDELLE - WASHER
15	31216	2	DADO - ECROU - NUT	67	50663	4	DADO - ECROU - NUT
16	50609	1	MOZZO - MOYEUX - HUB (Ø25,4 + Ø22,2)	68	50529	2	CORONA - COURONNE - CROWN
17	50195	1	LAMA - LAME - BLADE (55 cm)	69	50702	2	RUOTA - ROUE - WHEEL
18	50538	1	RONDELLA - RONDELLE - WASHER	70	50684	2	KIT: RUOTA - ROUE - WHEEL
19	50641	1	VITE - VIS - SCREW	71	50104	2	CARTER (DX - GAS / VARIATORE)
20	50069	1	CAVO - CABLE (Gas)	72	50094	2	LEVA GAS - LEVIER GAS - GAS LEVER
21	50748	2	MANUBRIO - MANCHERON - UPPER HANDLE (Inf.)	73	20190	6	VITE - VIS - SCREW
22	50760	2	PIASTRA - PLAQUE - PLATE	74	50103	1	CARTER (SX - GAS)
23	50750	2	SUPPORTO - SUPPORT - MOUNTING	75	50868	1	CAVO - CABLE (Variatore inf.)
24	20788	5	DADO - ECROU - NUT	76	50889	1	CAVO - CABLE (Freno - Brake)
25	40007	6	VITE - VIS - SCREW	77	50314	2	FASCETTA - CLIP
26	50220	1	STAFFA - PALIER - BRACKET	78	50105	1	GUIDA ZONE START - MANCHERON - HANDLE
27	20328	10	VITE - VIS - SCREW	79	50211	1	MANIGLIA - POIGNEE - HANDLE
28	20176	10	DADO - ECROU - NUT	80	50932	1	MANUBRIO - MANCHERON - UPPER HANDLE (Sup.)
29	21139	14	RONDELLA - RONDELLE - WASHER	81	50214	1	MANIGLIA - POIGNEE - HANDLE
30	20272	2	VITE - VIS - SCREW	82	50558	2	STAFFA - ETRIER - STIRRUP
31	50780	2	DISTANZIALE - ENTRETOISE - SPACER	83	50205	1	STAFFA - PALIER - BRACKET
32	50013	2	LEVA - LEVIER - LEVER	84	40092	2	VITE - VIS - SCREW
33	50308	2	MOLLA - RESSORT - SPRING	85	50383	1	CAVO - CABLE (Trazione - Traction)
34	50290	2	BOCCOLA - ANNEAU - SPACER	86	50836	1	CARTER (SX - VARIATORE)
35	40392	2	VITE - VIS - SCREW	87	50830	2	VITE - VIS - SCREW
36	20317	1	DADO - ECROU - NUT	98	50778	1	TRASMISSIONE - BOITE DE VIT. - GEARBOX
37	20711	9	RONDELLA - RONDELLE - WASHER	99	50256	1	KIT: TRASMISSIONE - BOITE DE VIT. - GEARBOX
38	50645	5	VITE - VIS - SCREW	100	40720	2	VITE - VIS - SCREW
39	50664	1	VARIATORE - VARIATEUR - VARIATOR	101	50318	2	CINGHIA - COURROIE - BELT
40	50858	1	CARTER - CAPOT - HOUSING	102	20289	12	DADO - ECROU - NUT
41	50856	1	PIASTRA - PLAQUE - PLATE	103	50191	1	CEST. COMP. - FABRIC CATCHER - BAC EN TOILE (Verde - Green)
42	50206	1	STAFFA - PALIER - BRACKET		50827		CEST. COMP. - FABRIC CATCHER - BAC EN TOILE (Nero - Black)
43	50867	1	CAVO - CABLE (Variatore sup.)	104	50934	2	PIASTRA - PLAQUE - PLATE (ANT.)
44	50301	2	STARLOCK	105	50938	1	PIASTRA - PLAQUE - PLATE (SX - POST.)
45	50888	1	LEVA - LEVIER - LEVER	106	50936	1	PIASTRA - PLAQUE - PLATE (DX - POST.)
46	21239	1	DISTANZIALE - ENTRETOISE - SPACER	108	50945	1	KIT MULCHING (OPTIONAL - FACULTATIF)
47	50878	1	STAFFA - PALIER - BRACKET	109	50947	1	TAPPO MULCHING - FERMATURE - MULCHING PLUG
48	50018	1	IMPUGNATURA - POIGNEE GUIDON - HANDLE	110	50893	1	LAMA - LAME - BLADE (Mulching)
49	50023	1	MOLLA - RESSORT - SPRING (DX)	111	50946	1	CARTERINO - COUVERCLE - COVER
50	50618	1	MOLLA - RESSORT - SPRING (SX)	112	50636	2	DISTANZIALE - ENTRETOISE - SPACER
51	50031	1	DEFLETTORE - DEFLECTEUR - DEFLECTOR				

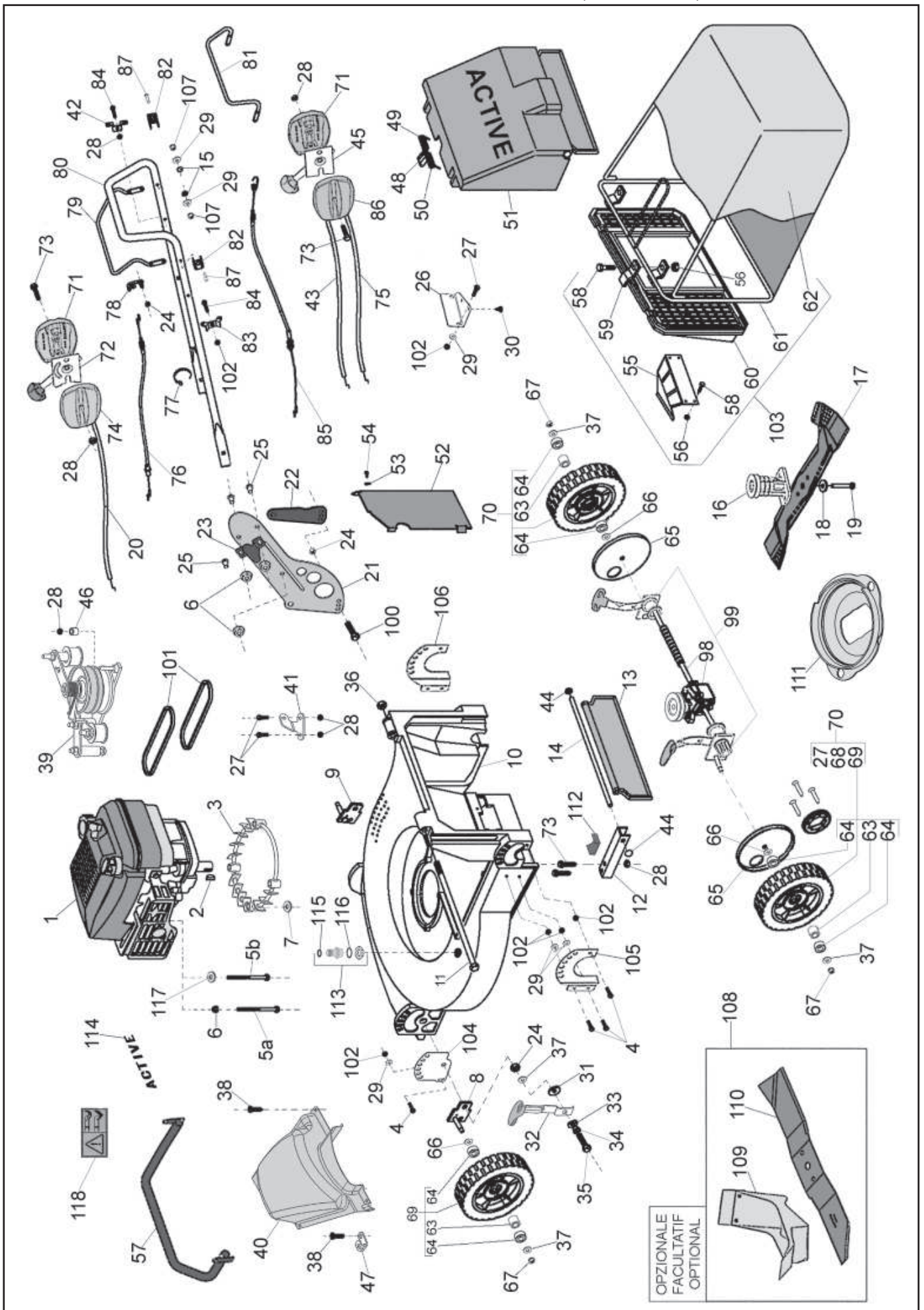
NOTE - NOTES



Valido dal N° di serie
A partir de N° de matricule suivant
From serial N°

58WH110001

Rasaerba - Tondeuses - Lawn mowers (5850 SWH)



Rasaerba - Tondeuses - Lawn mowers (5850 SWH)

RIF.	COD.	Q.	DESCRIZIONE - DESCRIPTION	RIF.	COD.	Q.	DESCRIZIONE - DESCRIPTION
REF.	N° / P P / N°			REF.	N° / P P / N°		
1	50605	1	MOTORE - MOTEUR - ENGINE	55	50196	1	TEGOLO - PLAQUE - GRILLE SPOON
2	50305	1	CHIAVETTA - CLAVETTE - KEY	56	20060	6	DADO - ECROU - NUT
3	50928	1	FLANGIA - FLASQUE - FLANGE	57	50918	1	PROTEZIONE - PROTECTION - GUARD
4	35792	8	VITE - VIS - SCREW	58	20064	6	VITE - VIS - SCREW
5a	40291	1	VITE - VIS - SCREW	59	50193	2	PIASTRA - PLAQUE - PLATE
5b	50733	3	VITE - VIS - SCREW	60	50092	1	RETE - GRILLE
6	50666	7	DADO - ECROU - NUT	61	50445	1	TELAIO - CHASSIS - FRAME
7	50753	4	RONDELLA - RONDELLE - WASHER	62	50192	1	TELA - TOILE - CANVAS (Verde - Green)
8	50088	1	PIASTRA - PLAQUE - PLATE (SX - ANT.)	62	50726	1	TELA - TOILE - CANVAS (Nera - Black)
9	50012	1	PIASTRA - PLAQUE - PLATE (DX - ANT.)	63	50544	4	DISTANZIALE - ENTRETOISE - SPACER
10	50221	1	CARTER - CAPOT - HOUSING (Rosso - Red)	64	50667	8	CUSCINETTO - ROULEMENT - BEARING
	50591	1	CARTER - CAPOT - HOUSING (Grigio - Gray)	65	50174	2	PARAPOLVERE - PROTECTION - GUARD
11	50235	1	TIRANTE - TIRAGE - STAY BAR	66	20790	6	RASAMENTO - RONDELLE - WASHER
12	50090	2	STAFFA - PALIER - BRACKET	67	50663	4	DADO - ECROU - NUT
13	50769	1	FLAP	68	50529	2	CORONA - COURONNE - CROWN
14	50770	1	PERNO - PIVOT - PIN	69	50702	2	RUOTA - ROUE - WHEEL
15	31216	2	DADO - ECROU - NUT	70	50684	2	KIT: RUOTA - ROUE - WHEEL
16	50609	1	MOZZO - MOYEUR - HUB (Ø25,4 + Ø22,2)	71	50104	2	CARTER (DX - GAS / VARIATORE)
17	50195	1	LAMA - LAME - BLADE (55 cm)	72	50094	2	LEVA GAS - LEVIER GAS - GAS LEVER
18	50538	1	RONDELLA - RONDELLE - WASHER	73	20190	6	VITE - VIS - SCREW
19	50641	1	VITE - VIS - SCREW	74	50103	1	CARTER (SX - GAS)
20	50711	1	CAVO - CABLE (Gas)	75	50868	1	CAVO - CABLE (Variatore inf.)
21	50748	2	MANUBRIO - MANCHERON - UPPER HANDLE (Inf.)	76	50889	1	CAVO - CABLE (Freno - Brake)
22	50760	2	PIASTRA - PLAQUE - PLATE	77	50314	2	FASCETTA - CLIP
23	50750	2	SUPPORTO - SUPPORT - MOUNTING	78	50105	1	GUIDA ZONE START - MANCHERON - HANDLE
24	20788	5	DADO - ECROU - NUT	79	50211	1	MANIGLIA - POIGNEE - HANDLE
25	40007	6	VITE - VIS - SCREW	80	50932	1	MANUBRIO - MANCHERON - UPPER HANDLE (Sup.)
26	50220	1	STAFFA - PALIER - BRACKET	81	50214	1	MANIGLIA - POIGNEE - HANDLE
27	20328	10	VITE - VIS - SCREW	82	50558	2	STAFFA - ETRIER - STIRRUP
28	20176	10	DADO - ECROU - NUT	83	50205	1	STAFFA - PALIER - BRACKET
29	21139	10	RONDELLA - RONDELLE - WASHER	84	40092	2	VITE - VIS - SCREW
30	20272	2	VITE - VIS - SCREW	85	50383	1	CAVO - CABLE (Trazione - Traction)
31	50780	2	DISTANZIALE - ENTRETOISE - SPACER	86	50836	1	CARTER (SX - VARIATORE)
32	50013	2	LEVA - LEVIER - LEVER	87	22045	2	VITE - VIS - SCREW
33	50308	2	MOLLA - RESSORT - SPRING	98	50778	1	TRASMISSIONE - BOITE DE VIT. - GEARBOX
34	50290	2	BOCCOLA - ANNEAU - SPACER	99	50256	1	KIT: TRASMISSIONE - BOITE DE VIT. - GEARBOX
35	40392	2	VITE - VIS - SCREW	100	40720	2	VITE - VIS - SCREW
36	20317	1	DADO - ECROU - NUT	101	50318	2	CINGHIA - COURROIE - BELT
37	20711	9	RONDELLA - RONDELLE - WASHER	102	20289	12	DADO - ECROU - NUT
38	50645	5	VITE - VIS - SCREW	103	50363	1	CEST.COMP. - FABRIC CATCHER - BAC EN TOILE (Verde - Green)
39	50664	1	VARIATORE - VARIATEUR - VARIATOR	103	50364	1	CEST.COMP. - FABRIC CATCHER - BAC EN TOILE (Nero - Black)
40	50858	1	CARTER - CAPOT - HOUSING	104	50934	2	PIASTRA - PLAQUE - PLATE (ANT.)
41	50856	1	PIASTRA - PLAQUE - PLATE	105	50938	1	PIASTRA - PLAQUE - PLATE (SX - POST.)
42	50206	1	STAFFA - PALIER - BRACKET	106	50936	1	PIASTRA - PLAQUE - PLATE (DX - POST.)
43	50867	1	CAVO - CABLE (Variatore sup.)	107	20917	2	DADO - ECROU - NUT
44	50301	2	STARLOCK	108	50473	1	KIT MULCHING (OPTIONAL - FACULTATIF)
45	50888	1	LEVA - LEVIER - LEVER	109	50947	1	TAPPO MULCHING - FERMATURE - MULCHING PLUG
46	21239	1	DISTANZIALE - ENTRETOISE - SPACER	110	50893	1	LAMA - LAME - BLADE (Mulching)
47	50878	1	STAFFA - PALIER - BRACKET	111	50063	1	CARTERINO - COUVERCLE - COVER
48	50018	1	GOMMINO - CAOUTCHOUC - RUBBER	112	50636	2	DISTANZIALE - ENTRETOISE - SPACER
49	50023	1	MOLLA - RESSORT - SPRING (DX)	113	50209	1	ATTACCO ACQUA - RACCORDEMENT à L'EAU - WATER CONNECTION
50	50618	1	MOLLA - RESSORT - SPRING (SX)	114	50762	1	ADESIVO ACTIVE - MARQUE - BRAND
51	50031	1	DEFLETTORE - DEFLECTEUR - DEFLECTOR	115	23755	1	GOMMINO - CAOUTCHOUC - RUBBER
52	50227	1	CARTERINO - COUVERCLE - COVER	116	23758	1	GOMMINO - CAOUTCHOUC - RUBBER
53	20316	1	RONDELLA - RONDELLE - WASHER	117	40229	2	RONDELLA - RONDELLE - WASHER
54	50657	1	VITE - VIS - SCREW	118	50909	1	ADESIVO - ADHESIF - ADHESIVE

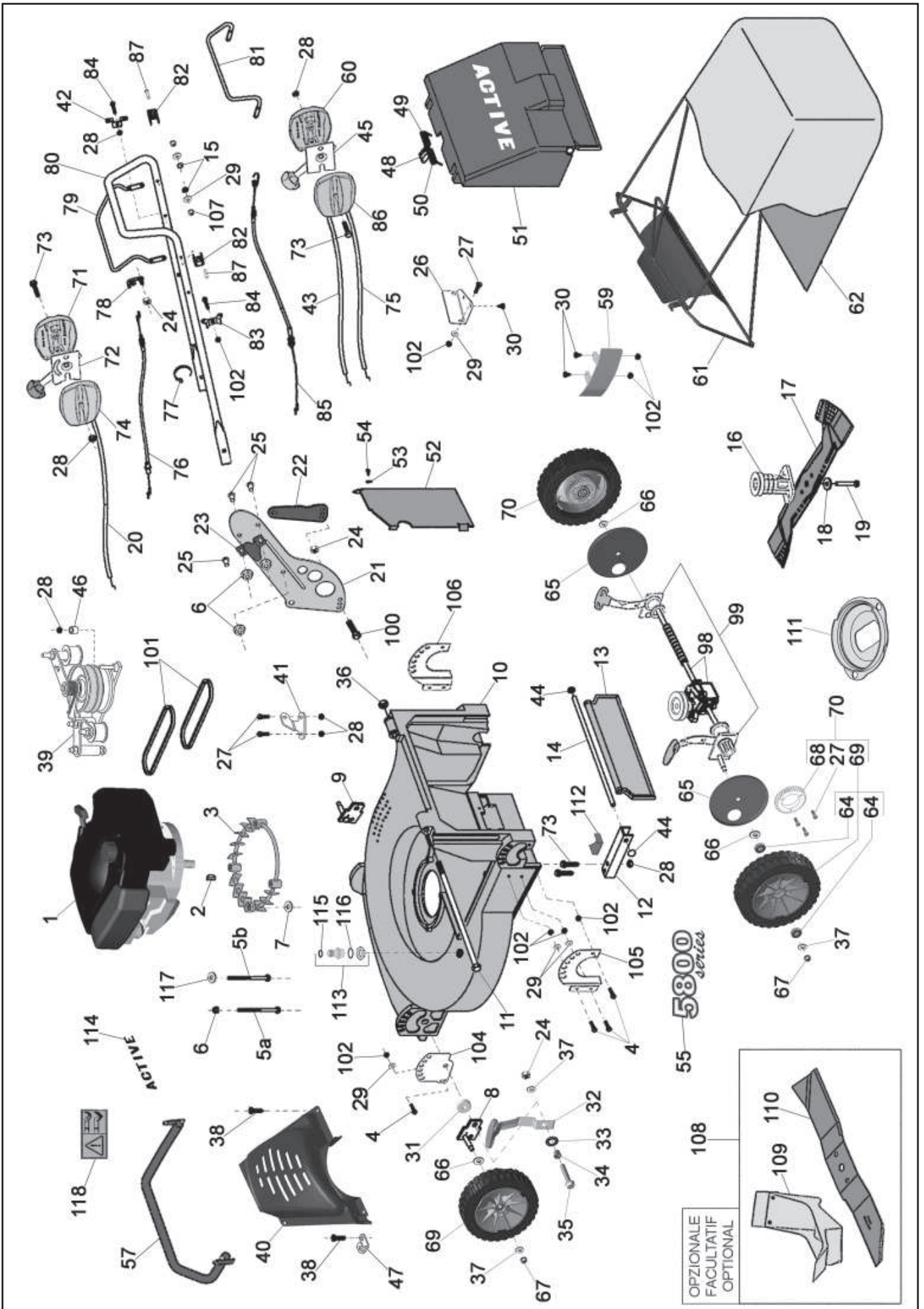
NOTE - NOTES



Valido dal N° di serie
A partir de N° de matricule suivant
From serial N°

58WH130001

Rasaerba - Tondeuses - Lawn mowers (5850 SWH)



Rasaerba - Tondeuses - Lawn mowers (5850 SWH)

RIF.	COD.	Q.	DESCRIZIONE - DESCRIPTION	RIF.	COD.	Q.	DESCRIZIONE - DESCRIPTION
REF.	N° / P P / N°			REF.	N° / P P / N°		
1	50605	1	MOTORE - MOTEUR - ENGINE	53	20316	1	RONDELLA - RONDELLE - WASHER
2	50305	1	CHIAVETTA - CLAVETTE - KEY	54	50657	1	VITE - VIS - SCREW
3	50928	1	FLANGIA - FLASQUE - FLANGE	55	50637	1	ADESIVO - MARQUE - BRAND
4	35792	8	VITE - VIS - SCREW	57	50918	1	PROTEZIONE - PROTECTION - GUARD
5a	40291	1	VITE - VIS - SCREW	59	50567	1	PIASTRA - PLAQUE - PLATE
5b	50733	3	VITE - VIS - SCREW	60	50210	1	CARTER (DX - VARIATORE)
6	50666	7	DADO - ECROU - NUT	61	50058	1	TELAIO - CHASSIS - FRAME
7	50753	4	RONDELLA - RONDELLE - WASHER	62	50697	1	TELA - TOILE - CANVAS (Verde - Green)
8	50088	1	PIASTRA - PLAQUE - PLATE (SX - ANT.)	62	50817	1	TELA - TOILE - CANVAS (Nera - Black)
9	50012	1	PIASTRA - PLAQUE - PLATE (DX - ANT.)	64	50667	8	CUSCINETTO - ROULEMENT - BEARING
10	50221	1	CARTER - CAPOT - HOUSING (Rosso - Red)	65	50174	2	PARAPOLVERE - PROTECTION - GUARD
	50591	1	CARTER - CAPOT - HOUSING (Grigio - Gray)	66	20790	6	RASAMENTO - RONDELLE - WASHER
11	50235	1	TIRANTE - TIRAGE - STAY BAR	67	50663	4	DADO - ECROU - NUT
12	50090	2	STAFFA - PALIER - BRACKET	68	50529	2	CORONA - COURONNE - CROWN
13	50769	1	FLAP	69	50702	2	RUOTA - ROUE - WHEEL
14	50770	1	PERNO - PIVOT - PIN	70	50684	2	KIT: RUOTA - ROUE - WHEEL
15	31216	2	DADO - ECROU - NUT	71	50104	1	CARTER (DX - GAS)
16	50609	1	MOZZO - MOYEUR - HUB (Ø25,4 + Ø22,2)	72	50094	2	LEVA GAS - LEVIER GAS - GAS LEVER
17	50195	1	LAMA - LAME - BLADE (55 cm)	73	20190	6	VITE - VIS - SCREW
18	50538	1	RONDELLA - RONDELLE - WASHER	74	50103	1	CARTER (SX - GAS)
19	50641	1	VITE - VIS - SCREW	75	50868	1	CAVO - CABLE (Variatore inf.)
20	50711	1	CAVO - CABLE (Gas)	76	50889	1	CAVO - CABLE (Freno - Brake)
21	50748	2	MANUBRIO - MANCHERON - UPPER HANDLE (Inf.)	77	50314	2	FASCETTA - CLIP
22	50760	2	PIASTRA - PLAQUE - PLATE	78	50105	1	GUIDA ZONE START - MANCHERON - HANDLE
23	50750	2	SUPPORTO - SUPPORT - MOUNTING	79	50211	1	MANIGLIA - POIGNEE - HANDLE
24	20788	5	DADO - ECROU - NUT	80	50932	1	MANUBRIO - MANCHERON - UPPER HANDLE (Sup.)
25	40007	6	VITE - VIS - SCREW	81	50214	1	MANIGLIA - POIGNEE - HANDLE
26	50220	1	STAFFA - PALIER - BRACKET	82	50558	2	STAFFA - ETRIER - STIRRUP
27	20328	10	VITE - VIS - SCREW	83	50205	1	STAFFA - PALIER - BRACKET
28	20176	10	DADO - ECROU - NUT	84	40092	2	VITE - VIS - SCREW
29	21139	10	RONDELLA - RONDELLE - WASHER	85	50383	1	CAVO - CABLE (Trazione - Traction)
30	20272	4	VITE - VIS - SCREW	86	50836	1	CARTER (SX - VARIATORE)
31	50780	2	DISTANZIALE - ENTRETOISE - SPACER	87	22045	2	VITE - VIS - SCREW
32	50013	2	LEVA - LEVIER - LEVER	98	50778	1	TRASMISSIONE - BOITE DE VIT. - GEARBOX
33	50308	2	MOLLA - RESSORT - SPRING	99	50256	1	KIT: TRASMISSIONE - BOITE DE VIT. - GEARBOX
34	50290	2	BOCCOLA - ANNEAU - SPACER	100	40720	2	VITE - VIS - SCREW
35	40392	2	VITE - VIS - SCREW	101	50318	2	CINGHIA - COURROIE - BELT
36	20317	1	DADO - ECROU - NUT	102	20289	12	DADO - ECROU - NUT
37	20711	9	RONDELLA - RONDELLE - WASHER	104	50934	2	PIASTRA - PLAQUE - PLATE (ANT.)
38	50645	5	VITE - VIS - SCREW	105	50938	1	PIASTRA - PLAQUE - PLATE (SX - POST.)
39	50664	1	VARIATORE - VARIATEUR - VARIATOR	106	50936	1	PIASTRA - PLAQUE - PLATE (DX - POST.)
40	50858	1	CARTER - CAPOT - HOUSING	107	20917	2	DADO - ECROU - NUT
41	50856	1	PIASTRA - PLAQUE - PLATE	108	50473	1	KIT MULCHING (OPTIONAL - FACULTATIF)
42	50206	1	STAFFA - PALIER - BRACKET	109	50947	1	TAPPO MULCHING - FERMATURE - MULCHING PLUG
43	50867	1	CAVO - CABLE (Variatore sup.)	110	50893	1	LAMA - LAME - BLADE (Mulching)
44	50301	2	STARLOCK	111	50063	1	CARTERINO - COUVERCLE - COVER
45	50888	1	LEVA - LEVIER - LEVER	112	50636	2	DISTANZIALE - ENTRETOISE - SPACER
46	21239	1	DISTANZIALE - ENTRETOISE - SPACER	113	50209	1	ATTACCO ACQUA - RACCORDEMENT à L'EAU - WATER CONNECTION
47	50878	1	STAFFA - PALIER - BRACKET	114	50762	1	ADESIVO ACTIVE - MARQUE - BRAND
48	50018	1	GOMMINO - CAOUTCHOUC - RUBBER	115	23755	1	GOMMINO - CAOUTCHOUC - RUBBER
49	50023	1	MOLLA - RESSORT - SPRING (DX)	116	23758	1	GOMMINO - CAOUTCHOUC - RUBBER
50	50618	1	MOLLA - RESSORT - SPRING (SX)	117	40229	2	RONDELLA - RONDELLE - WASHER
51	50031	1	DEFLETTORE - DEFLECTEUR - DEFLECTOR	118	50909	1	ADESIVO - ADHESIF - ADHESIVE
52	50227	1	CARTERINO - COUVERCLE - COVER				

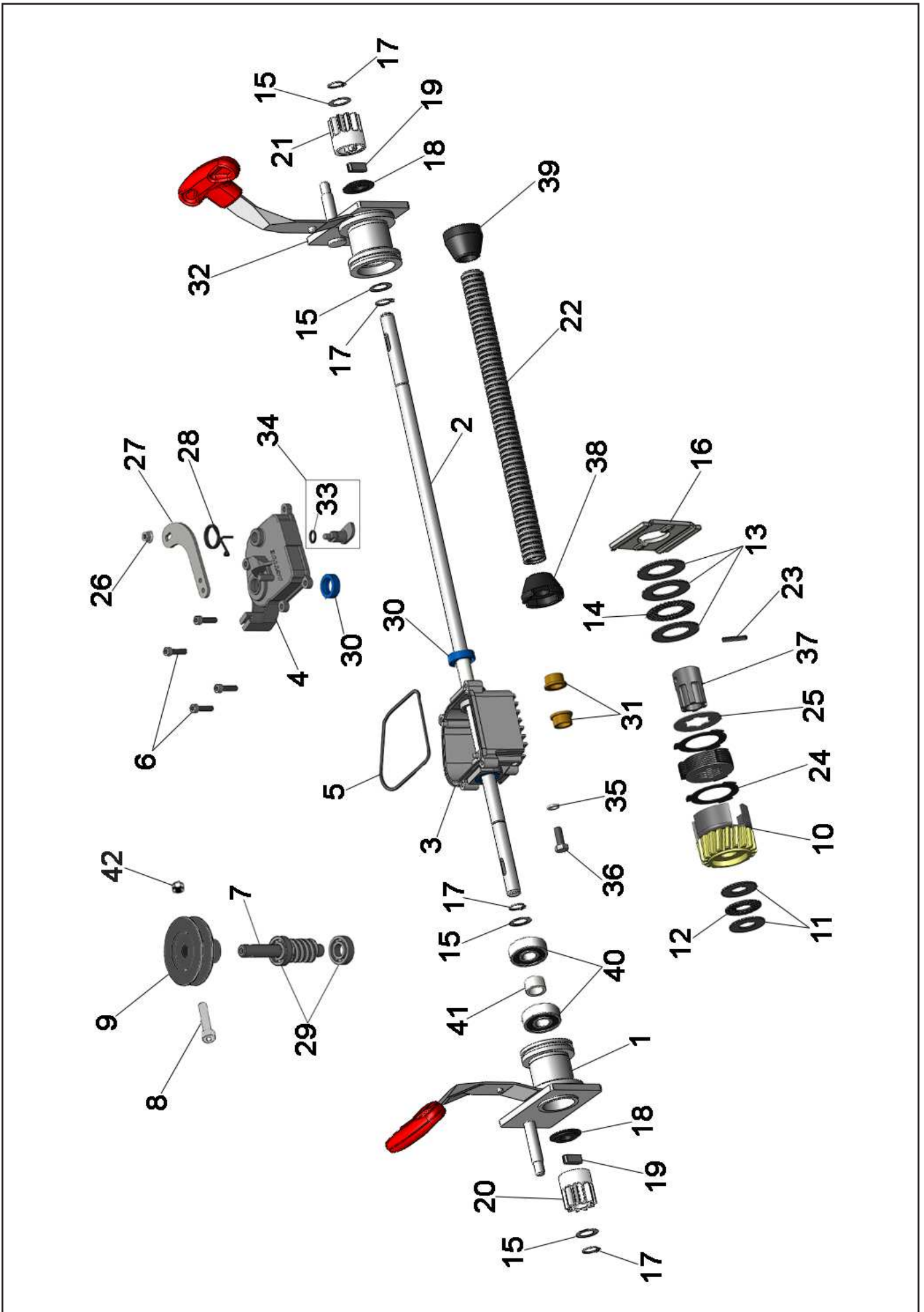
NOTE - NOTES



Valido dal N° di serie
A partir de N° de matricule suivant
From serial N°

58WH130001

50256 Trasmissione - Transmission - Transmission

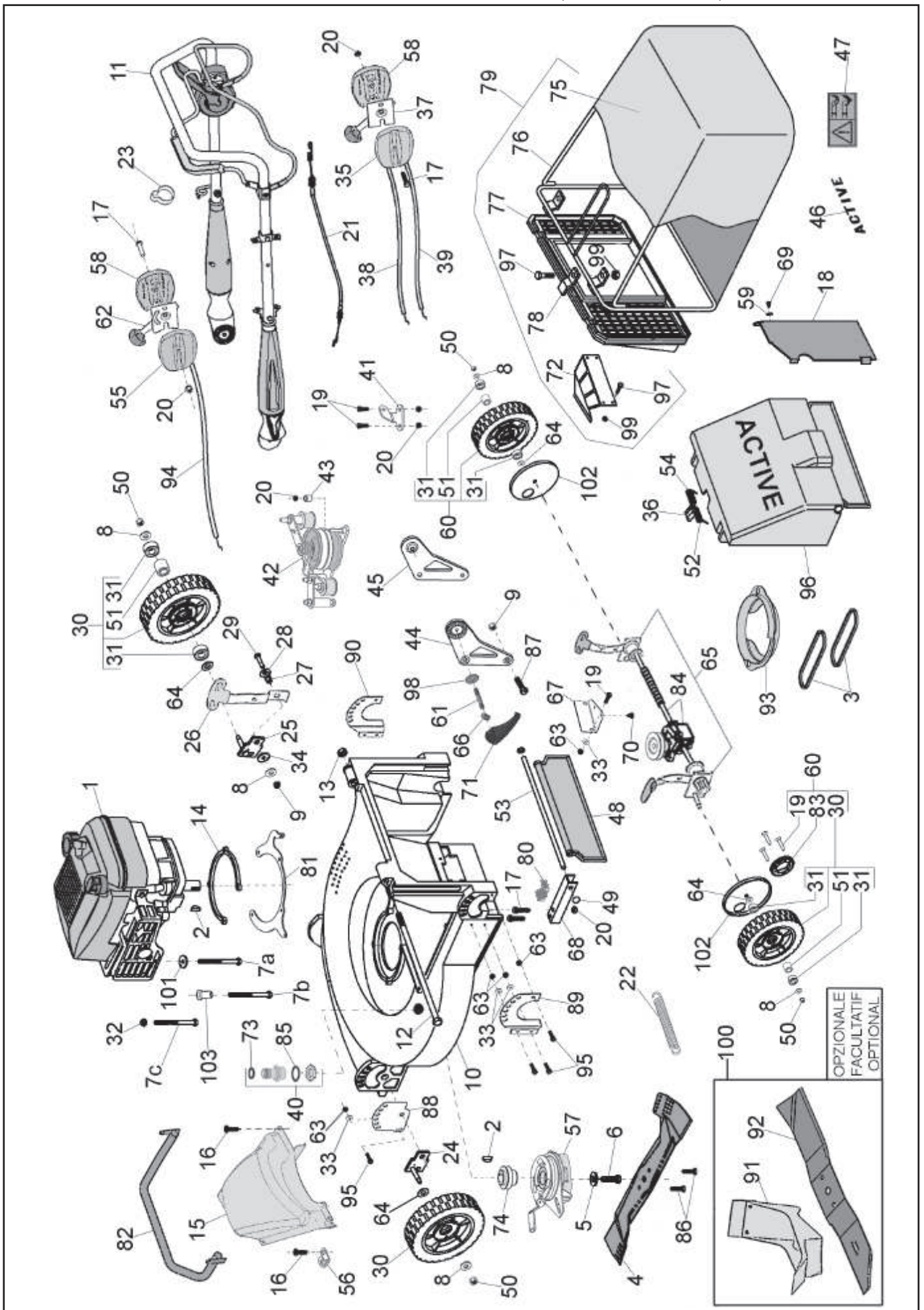


50256 Trasmissione - Transmission - Transmission

RIF. REF.	COD. N° / P P / N°	Q.	DESCRIZIONE - DESCRIPTION	RIF. REF.	COD. N° / P P / N°	Q.	DESCRIZIONE - DESCRIPTION
1	50272	1	PIASTRA - PLAQUE - PLATE (POST.SX)	22	50449	1	PROTEZIONE - PROTECTION - GUARD
2	50649	1	ALBERO - ARBRE - SHAFT	23	50295	1	SPINA ELAST. - GOUPILLES - ELAST.PIN
3	50606	1	SCATOLA - BOITE - BOX	24	50706	10	DISCO - DISK
4	50157	1	COPERCHIO - COUVERTURE - COVER	25	50707	10	DISCO - DISK
5	50321	1	GUARNIZIONE - JOINT - GASKET	26	50519	1	DADO - ECROU - NUT
6	20001	4	VITE - VIS - SCREW	27	50255	1	LEVA - LEVIER - LEVER
7	50524	1	VITE S.F. - VIS - SCREW	28	50310	1	MOLLA - RESSORT - SPRING
8	20169	1	VITE - VIS - SCREW	29	22511	2	CUSCINETTO - ROULEMENT - BEARING
9	50805	1	PULEGGIA - PUOLIE - PULLEY	30	50320	3	ANELLO DI TENUTA - JOINT - SEAL
10	50281	1	ASSIEME CAMPANA - TAMBOUR - DRUM	31	50540	2	BUSSOLA - ENTRETOISE - SPACER
11	50303	1	RONDELLA - RONDELLE - WASHER	32	50273	1	PIASTRA - PLAQUE - PLATE (POST.DX)
12	50521	1	CUSCINETTO - ROULEMENT - BEARING	33	20324	1	O-RING
13	50261	3	RONDELLA - RONDELLE - WASHER	34	50179	1	LEVA - LEVIER - LEVER
14	50522	1	CUSCINETTO - ROULEMENT - BEARING	35	50772	1	RONDELLA - RONDELLE - WASHER
15	50678	4	RASAMENTO - RONDELLE - WASHER SHIMS	36	50771	1	VITE - VIS - SCREW
16	50546	1	LEVA - LEVIER - LEVER	37	50284	1	BUSSOLA - ENTRETOISE - SPACER
17	20218	4	SEEGER	38	50342	1	BUSSOLA - ENTRETOISE - SPACER
18	50186	2	PROTEZIONE - PROTECTION - GUARD	39	50343	1	BUSSOLA - ENTRETOISE - SPACER
19	50188	2	CHIAVETTA - CLAVETTE - KEY	40	20875	4	CUSCINETTO - ROULEMENT - BEARING
20	50527	1	PIGNONE - PIGNON - PINION (SX)	41	50650	2	DISTANZIALE - ENTRETOISE - SPACER
21	50528	1	PIGNONE - PIGNON - PINION (DX)	42	20061	1	DADO - ECROU - NUT

NOTE - NOTES

Rasaerba - Tondeuses - Lawn mowers (5850 SWH BBC)



Rasaerba - Tondeuses - Lawn mowers (5850 SWH BBC)

RIF.	COD.	Q.	DESCRIZIONE - DESCRIPTION	RIF.	COD.	Q.	DESCRIZIONE - DESCRIPTION
REF.	N° / P P / N°			REF.	N° / P P / N°		
1	50280	1	MOTORE - MOTEUR - ENGINE	52	50618	1	MOLLA - RESSORT - SPRING (SX)
2	50305	2	CHIAVETTA - CLAVETTE - KEY	53	50770	1	PERNO - PIVOT - PIN
3	50318	2	CINGHIA - COURROIE - BELT	54	50023	1	MOLLA - RESSORT - SPRING (DX)
4	50292	1	LAMA - LAME - BLADE (55 cm)	55	50569	1	CARTER (SX - GAS)
5	50333	1	RONDELLA - RONDELLE - WASHER	56	50878	1	STAFFA - PALIER - BRACKET
6	50669	1	VITE - VIS - SCREW	57	50304	1	BBC
7	a) 50217	2	VITE - VIS - SCREW	58	50104	2	CARTER (DX - GAS / VARIATORE)
	b) 50733	1		59	20316	1	RONDELLA - RONDELLE - WASHER
	c) 40290	1		60	50684	2	KIT: RUOTA - ROUE - WHEEL
8	20711	6	RONDELLA - RONDELLE - WASHER	61	23860	2	VITE - VIS - SCREW
9	20788	5	DADO - ECRU - NUT	62	50094	1	LEVA GAS - LEVIER GAS - GAS LEVER
10	50221	1	CARTER - CAPOT - HOUSING (Rosso - Red)	63	20289	11	DADO - ECRU - NUT
	50591		CARTER - CAPOT - HOUSING (Grigio - Gray)	64	20790	6	RASAMENTO - RONDELLE - WASHER
11	-	1	MANUBRIO - MANCHERON - UPPER HANDLE	65	50256	1	KIT: TRASMISSIONE - BOITE DE VIT. - GEARBOX
12	50087	1	TIRANTE - TIRAGE - STAY BAR	66	50101	2	BOCCOLA - ANNEAU - SPACER
13	20317	1	DADO - ECRU - NUT	67	50220	1	STAFFA - PALIER - BRACKET
14	50634	1	DISTANZIALE - ENTRETOISE - SPACER	68	50090	2	STAFFA - PALIER - BRACKET
15	50858	1	CARTER - CAPOT - HOUSING	69	50657	1	VITE - VIS - SCREW
16	50645	5	VITE - VIS - SCREW	70	20272	2	VITE - VIS - SCREW
17	20190	6	VITE - VIS - SCREW	71	50127	2	LEVA - LEVIER - LEVER
18	50227	1	CARTERINO - COUVERCLE - COVER	72	50196	1	TEGOLO - PLAQUE - GRILLE SPOON
19	20328	10	VITE - VIS - SCREW	73	23755	1	GOMMINO - CAOUTCHOUC - RUBBER
20	20176	10	DADO - ECRU - NUT	74	50331	1	PULEGGIA - POULIE - PULLEY
21	50472	1	CAVO - CABLE (Trazione - Traction)	75	50192	1	TELA - TOILE - CANVAS (Verde - Green)
22	50160	1	MOLLA - RESSORT - SPRING		50726		TELA - TOILE - CANVAS (Nera - Black)
23	20320	2	FASCETTA - CLIP	76	50543	1	TELAIO - CHASSIS - FRAME
24	50088	1	PIASTRA - PLAQUE - PLATE (SX - ANT.)	77	50092	1	RETE - GRILLE
25	50012	1	PIASTRA - PLAQUE - PLATE (DX - ANT.)	78	50193	2	PIASTRA - PLAQUE - PLATE
26	50013	2	LEVA - LEVIER - LEVER	79	50191	1	CEST. COMP. - FABRIC CATCHER - BAC EN TOILE (Verde - Green)
27	50290	2	BOCCOLA - ANNEAU - SPACER		50827		CEST. COMP. - FABRIC CATCHER - BAC EN TOILE (Nero - Black)
28	50308	2	MOLLA - RESSORT - SPRING	80	50636	2	DISTANZIALE - ENTRETOISE - SPACER
29	40392	2	VITE - VIS - SCREW	81	50335	1	PIASTRA - PLAQUE - PLATE
30	50702	2	RUOTA - ROUE - WHEEL	82	50918	1	PROTEZIONE - PROTECTION - GUARD
31	50667	8	CUSCINETTO - ROULEMENT - BEARING	83	50529	2	CORONA - COURONNE - CROWN
32	50666	1	DADO - ECRU - NUT	84	50778	1	TRASMISSIONE - BOITE DE VIT. - GEARBOX
33	21139	8	RONDELLA - RONDELLE - WASHER	85	23758	2	GOMMINO - CAOUTCHOUC - RUBBER
34	50780	2	DISTANZIALE - ENTRETOISE - SPACER	86	40379	2	VITE - VIS - SCREW
35	50836	1	CARTER (SX - VARIATORE)	87	40720	2	VITE - VIS - SCREW
36	50018	1	GOMMINO - CAOUTCHOUC - RUBBER	88	50934	2	PIASTRA - PLAQUE - PLATE (ANT.)
37	50888	1	LEVA - LEVIER - LEVER	89	50938	1	PIASTRA - PLAQUE - PLATE (SX - POST.)
38	50867	1	CAVO - CABLE (Variatore sup.)	90	50936	1	PIASTRA - PLAQUE - PLATE (DX - POST.)
39	50868	1	CAVO - CABLE (Variatore inf.)	91	50947	1	TAPPO MULCHING - FERMATURE - MULCHING PLUG
40	50209	1	ATTACCO ACQUA - RACCORDEMENT à L'EAU - WATER CONNECTION	92	50181	1	LAMA - LAME - BLADE (Mulching)
41	50856	1	PIASTRA - PLAQUE - PLATE	93	50065	1	CARTER - CAPOT - HOUSING
42	50664	1	VARIATORE - VARIATEUR - VARIATOR	94	50711	1	CAVO - CABLE (Gas)
43	21239	1	BOCCOLA - ANNEAU - SPACER	95	35792	8	VITE - VIS - SCREW
44	50098	1	PIASTRA - PLAQUE - PLATE (SX)	96	50031	1	DEFLETTORE - DEFLECTEUR - DEFLECTOR
45	50102	1	PIASTRA - PLAQUE - PLATE (DX)	97	20064	6	VITE - VIS - SCREW
46	50762	1	ADESIVO ACTIVE - MARQUE - BRAND	98	21686	2	RONDELLA - RONDELLE - WASHER
47	50909	1	ADESIVO - ADHESIF - ADHESIVE	99	20060	6	DADO - ECRU - NUT
48	50769	1	FLAP	100	50182	1	KIT MULCHING (OPTIONAL - FACULTATIF)
49	50301	2	STARLOCK	101	40229	2	RONDELLA - RONDELLE - WASHER
50	50663	4	DADO - ECRU - NUT	102	50174	2	PARAPOLVERE - PROTECTION - GUARD
51	50544	4	DISTANZIALE - ENTRETOISE - SPACER	103	50041	1	BOCCOLA - ANNEAU - SPACER

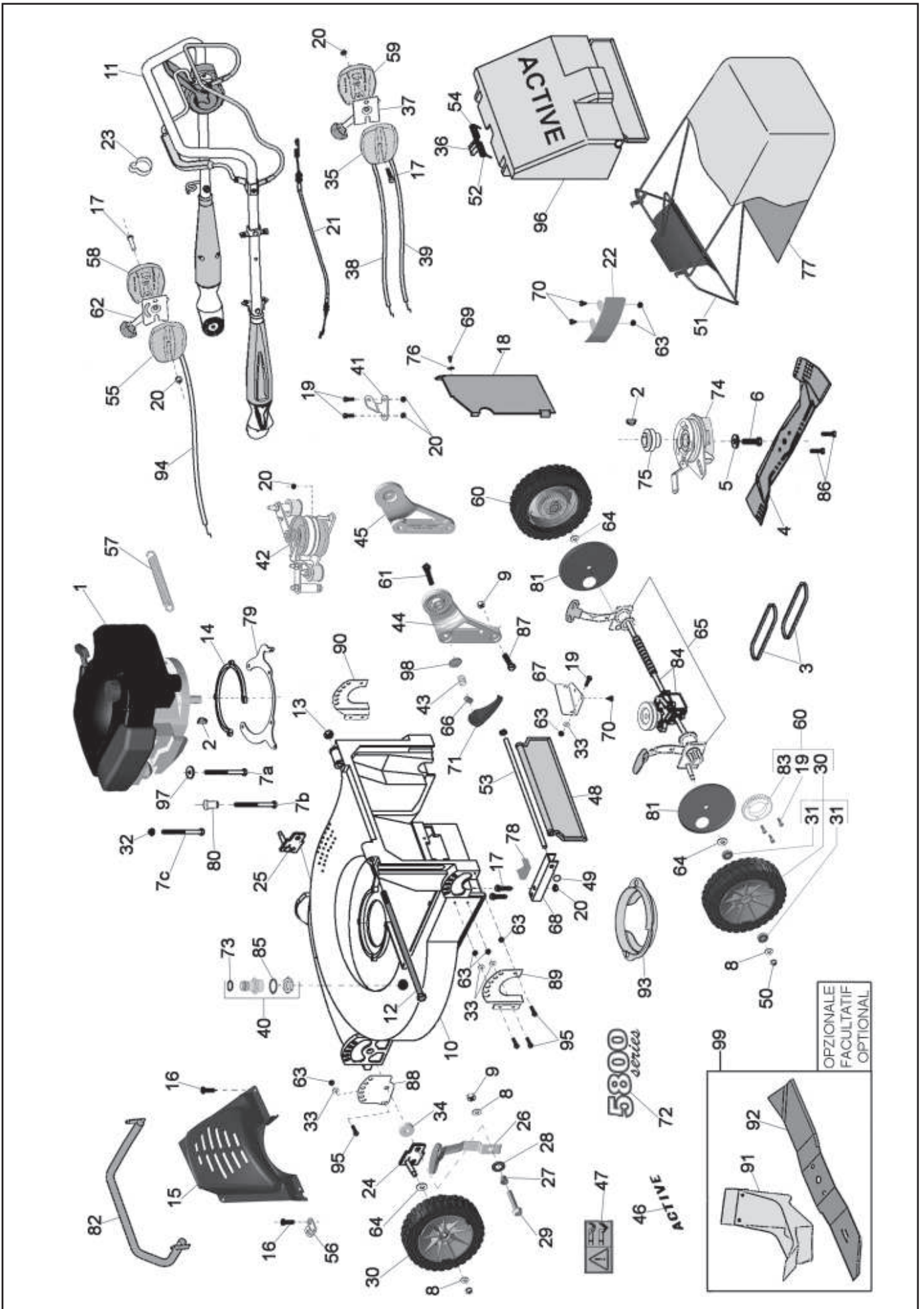
NOTE - NOTES



Valido dal N° di serie
A partir de N° de matricule suivant
From serial N°

58WHB130001

Rasaerba - Tondeuses - Lawn mowers (5850 SWH BBC)



Rasaerba - Tondeuses - Lawn mowers (5850 SWH BBC)

RIF.	COD.	Q.	DESCRIZIONE - DESCRIPTION	RIF.	COD.	Q.	DESCRIZIONE - DESCRIPTION
REF.	N° / P P / N°			REF.	N° / P P / N°		
1	50280	1	MOTORE - MOTEUR - ENGINE	50	50663	4	DADO - ECROU - NUT
2	50305	2	CHIAVETTA - CLAVETTE - KEY	51	50058	1	TELAIO - CHASSIS - FRAME
3	50318	2	CINGHIA - COURROIE - BELT	52	50618	1	MOLLA - RESSORT - SPRING (SX)
4	50292	1	LAMA - LAME - BLADE (55 cm)	53	50770	1	PERNO - PIVOT - PIN
5	50333	1	RONDELLA - RONDELLE - WASHER	54	50023	1	MOLLA - RESSORT - SPRING (DX)
6	50669	1	VITE - VIS - SCREW	55	50569	1	CARTER (SX - GAS)
7	a) 50217	2	VITE - VIS - SCREW	56	50878	1	STAFFA - PALIER - BRACKET
	b) 50733	1		57	50160	1	MOLLA - RESSORT - SPRING
	c) 40290	1		58	50104	1	CARTER (DX - GAS)
8	20711	6	RONDELLA - RONDELLE - WASHER	59	50210	1	CARTER (DX - VARIATORE)
9	20788	4	DADO - ECROU - NUT	60	50684	2	KIT: RUOTA - ROUE - WHEEL
10	50221	1	CARTER - CAPOT - HOUSING (Rosso - Red)	61	23578	2	VITE - VIS - SCREW
	50591		CARTER - CAPOT - HOUSING (Grigio - Gray)	62	50094	1	LEVA GAS - LEVIER GAS - GAS LEVER
11	-	1	MANUBRIO - MANCHERON - UPPER HANDLE	63	20289	12	DADO - ECROU - NUT
12	50087	1	TIRANTE - TIRAGE - STAY BAR	64	20790	6	RASAMENTO - RONDELLE - WASHER
13	20317	1	DADO - ECROU - NUT	65	50256	1	KIT: TRASMISSIONE - BOITE DE VIT. - GEARBOX
14	50634	1	DISTANZIALE - ENTRETOISE - SPACER	66	50101	2	BOCCOLA - ANNEAU - SPACER
15	50858	1	CARTER - CAPOT - HOUSING	67	50220	1	STAFFA - PALIER - BRACKET
16	50645	5	VITE - VIS - SCREW	68	50090	2	STAFFA - PALIER - BRACKET
17	20190	6	VITE - VIS - SCREW	69	50657	1	VITE - VIS - SCREW
18	50227	1	CARTERINO - COUVERCLE - COVER	70	20272	4	VITE - VIS - SCREW
19	20328	10	VITE - VIS - SCREW	71	50127	2	LEVA - LEVIER - LEVER
20	20176	9	DADO - ECROU - NUT	72	50637	1	ADESIVO - ADHESIF - ADHESIVE
21	50472	1	CAVO - CABLE (Trazione - Traction)	73	23755	1	GOMMINO - CAOUTCHOUC - RUBBER
22	50567	1	PIASTRA - PLAQUE - PLATE	74	50304	1	BBC
23	20320	2	FASCETTA - CLIP	75	50331	1	PULEGGIA - POULIE - PULLEY
24	50088	1	PIASTRA - PLAQUE - PLATE (SX - ANT.)	76	20316	1	RONDELLA - RONDELLE - WASHER
25	50012	1	PIASTRA - PLAQUE - PLATE (DX - ANT.)	77	50697	1	TELA - TOILE - CANVAS (Verde - Green)
26	50013	2	LEVA - LEVIER - LEVER		50817		TELA - TOILE - CANVAS (Nera - Black)
27	50290	2	BOCCOLA - ANNEAU - SPACER	78	50636	2	DISTANZIALE - ENTRETOISE - SPACER
28	50308	2	MOLLA - RESSORT - SPRING	79	50335	1	PIASTRA - PLAQUE - PLATE
29	40392	2	VITE - VIS - SCREW	80	50041	1	BOCCOLA - ANNEAU - SPACER
30	50702	2	RUOTA - ROUE - WHEEL	81	50174	2	PARAPOLVERE - PROTECTION - GUARD
31	50155	8	CUSCINETTO - ROULEMENT - BEARING	82	50918	1	PROTEZIONE - PROTECTION - GUARD
32	50666	1	DADO - ECROU - NUT	83	50529	2	CORONA - COURONNE - CROWN
33	21139	8	RONDELLA - RONDELLE - WASHER	84	50778	1	TRASMISSIONE - BOITE DE VIT. - GEARBOX
34	50780	2	DISTANZIALE - ENTRETOISE - SPACER	85	23758	2	GOMMINO - CAOUTCHOUC - RUBBER
35	50836	1	CARTER (SX - VARIATORE)	86	40379	2	VITE - VIS - SCREW
36	50018	1	GOMMINO - CAOUTCHOUC - RUBBER	87	40720	2	VITE - VIS - SCREW
37	50888	1	LEVA - LEVIER - LEVER	88	50934	2	PIASTRA - PLAQUE - PLATE (ANT.)
38	50867	1	CAVO - CABLE (Variatore sup.)	89	50938	1	PIASTRA - PLAQUE - PLATE (SX - POST.)
39	50868	1	CAVO - CABLE (Variatore inf.)	90	50936	1	PIASTRA - PLAQUE - PLATE (DX - POST.)
40	50209	1	ATTACCO ACQUA - RACCORDEMENT à L'EAU - WATER CONNECTION	91	50947	1	TAPPO MULCHING - FERMATURE - MULCHING PLUG
41	50856	1	PIASTRA - PLAQUE - PLATE	92	50181	1	LAMA - LAME - BLADE (Mulching)
42	50664	1	VARIATORE - VARIATEUR - VARIATOR	93	50065	1	CARTER - CAPOT - HOUSING
43	41808	1	MOLLA - RESSORT - SPRING	94	50711	1	CAVO - CABLE (Gas)
44	50349	1	PIASTRA - PLAQUE - PLATE (SX)	95	35792	8	VITE - VIS - SCREW
45	50350	1	PIASTRA - PLAQUE - PLATE (DX)	96	50031	1	DEFLETTORE - DEFLECTEUR - DEFLECTOR
46	50762	1	ADESIVO ACTIVE - MARQUE - BRAND	97	40229	2	RONDELLA - RONDELLE - WASHER
47	50909	1	ADESIVO - ADHESIF - ADHESIVE	98	21686	2	RONDELLA - RONDELLE - WASHER
48	50769	1	FLAP	99	50182	1	KIT MULCHING (OPTIONAL - FACULTATIF)
49	50301	2	STARLOCK				

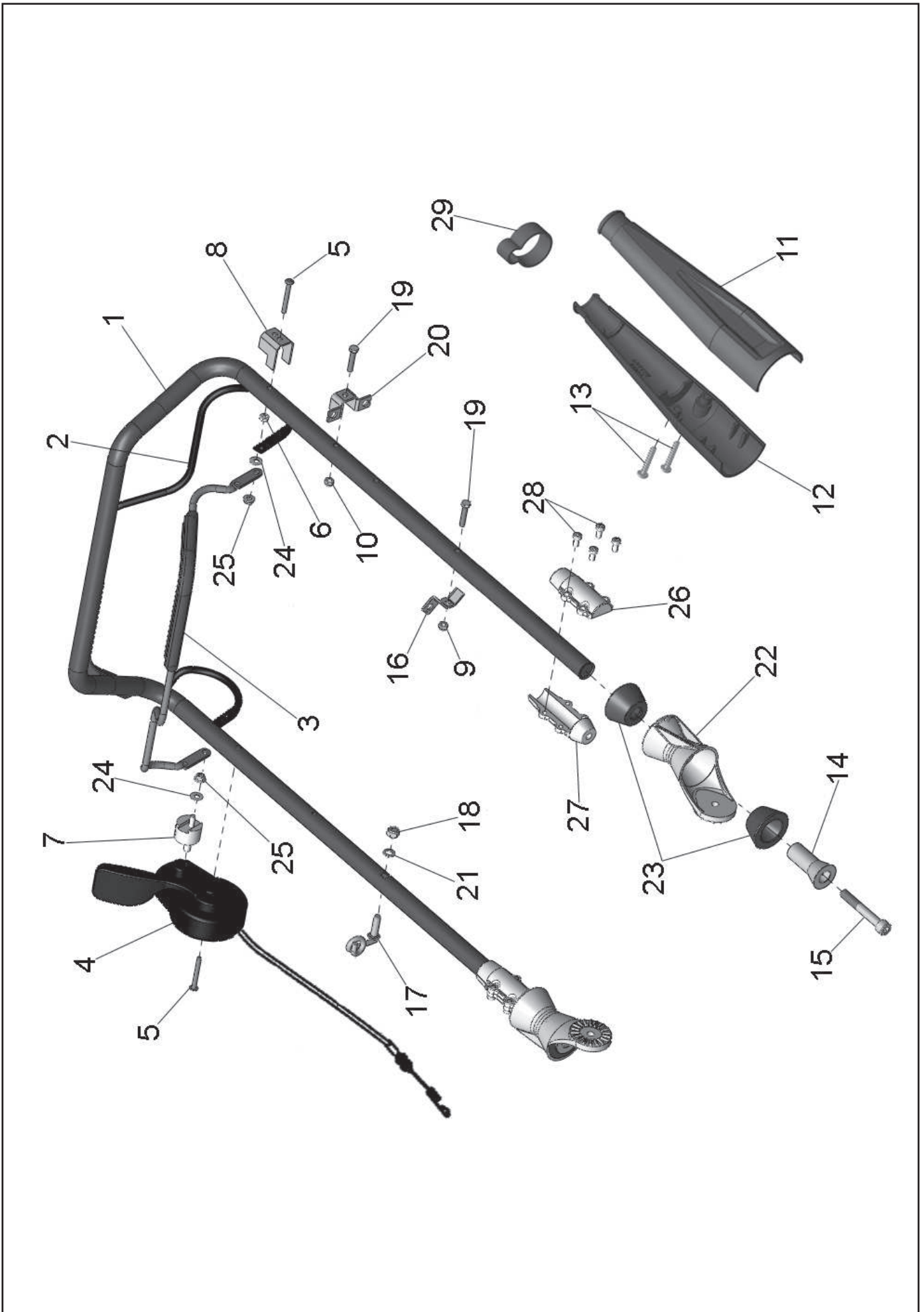
NOTE - NOTES



**Valido dal N° di serie
A partir de N° de matricule suivant
From serial N°**

58WHB140001

Manubrio - Mancheron - Upper Handle

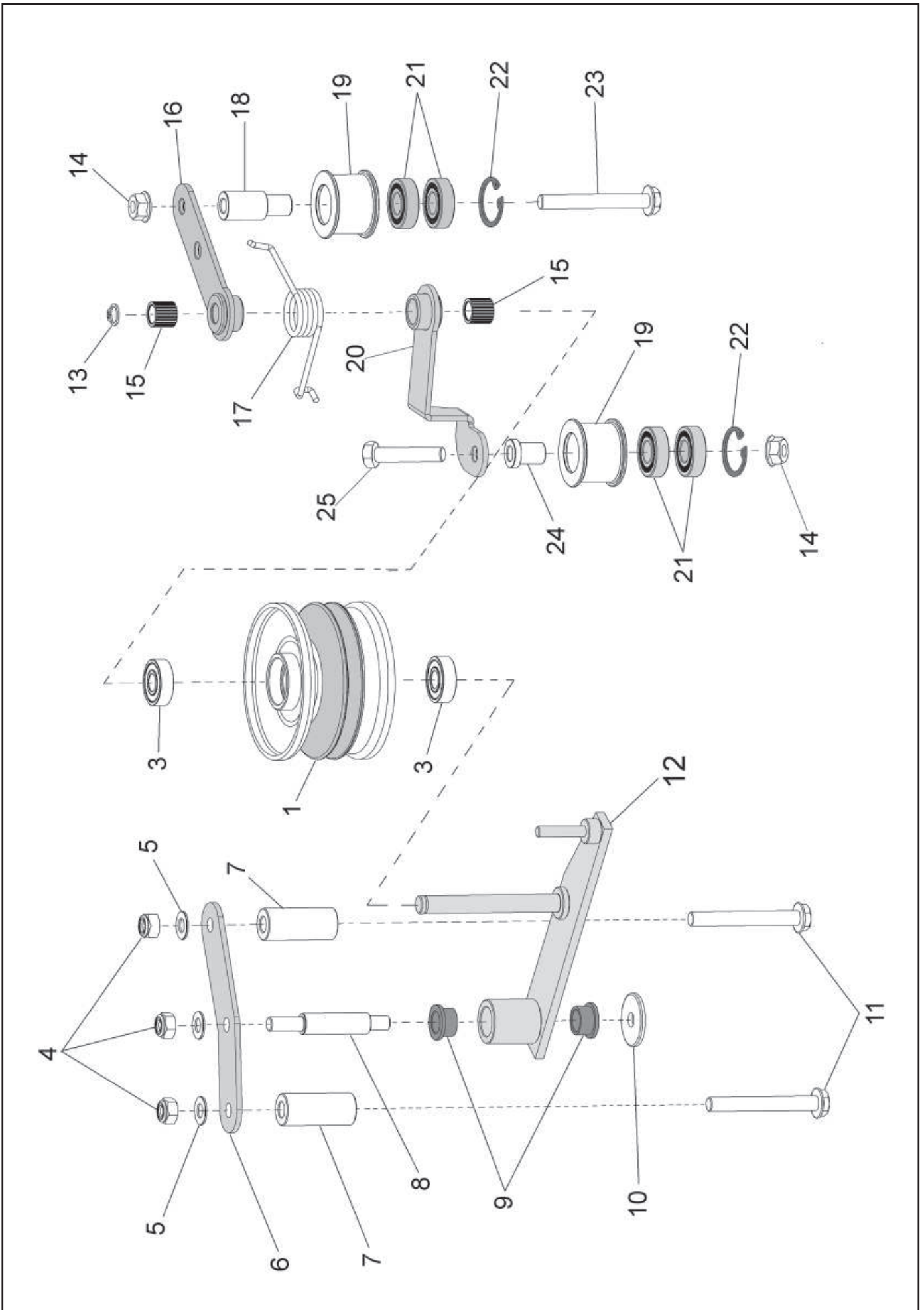


Manubrio - Mancheron - Upper Handle

RIF. REF.	COD. N° / P P / N°	Q.	DESCRIZIONE - DESCRIPTION	RIF. REF.	COD. N° / P P / N°	Q.	DESCRIZIONE - DESCRIPTION
1	50135	1	MANUBRIO - MANCHERON - UPPER HANDLE	15	23286	2	VITE - VIS - SCREW
2	50068	1	MANIGLIA - POIGNEE - HANDLE	16	50205	1	STAFFA - ETRIER - STIRRUP
3	50006	1	MANIGLIA - POIGNEE - HANDLE	17	50105	1	GUIDA ZONE START - MANCHERON - HANDLE
4	50197	1	LEVA BBC - LEVIER BBC - BBC LEVER	18	20788	1	DADO - ECROU - NUT
5	22045	2	VITE - VIS - SCREW	19	40092	1	VITE - VIS - SCREW
6	20917	2	DADO - ECROU - NUT	20	50206	1	STAFFA - ETRIER - STIRRUP
7	50029	1	BUSSOLA - ENTRETOISE - SPACER	21	20711	1	RONDELLA - RONDELLE - WASHER
8	50279	1	STAFFA - ETRIER - STIRRUP	22	50351	2	CORPO ANTIVIBRANTE - CORPS - BODY
9	20289	1	DADO - ECROU - NUT	23	50338	4	GOMMA - CAOUTCHOUC - RUBBER
10	20176	1	DADO - ECROU - NUT	24	21139	2	RONDELLA - RONDELLE - WASHER
11	50228	2	CARTER	25	31216	2	DADO - ECROU - NUT
12	50231	2	CARTER	26	50418	2	CHIUSURA - FERMETURE - CLOSING
13	36253	4	VITE - VIS - SCREW	27	50226	2	CONO SUPERIORE - TOP CONE - CONE TOP
14	50340	2	CONO INFERIORE - FOND CONIQUE - CONE BOTTOM	28	20328	8	VITE - VIS - SCREW

NOTE - NOTES

Variatore doppio - Variateur double - Double variator

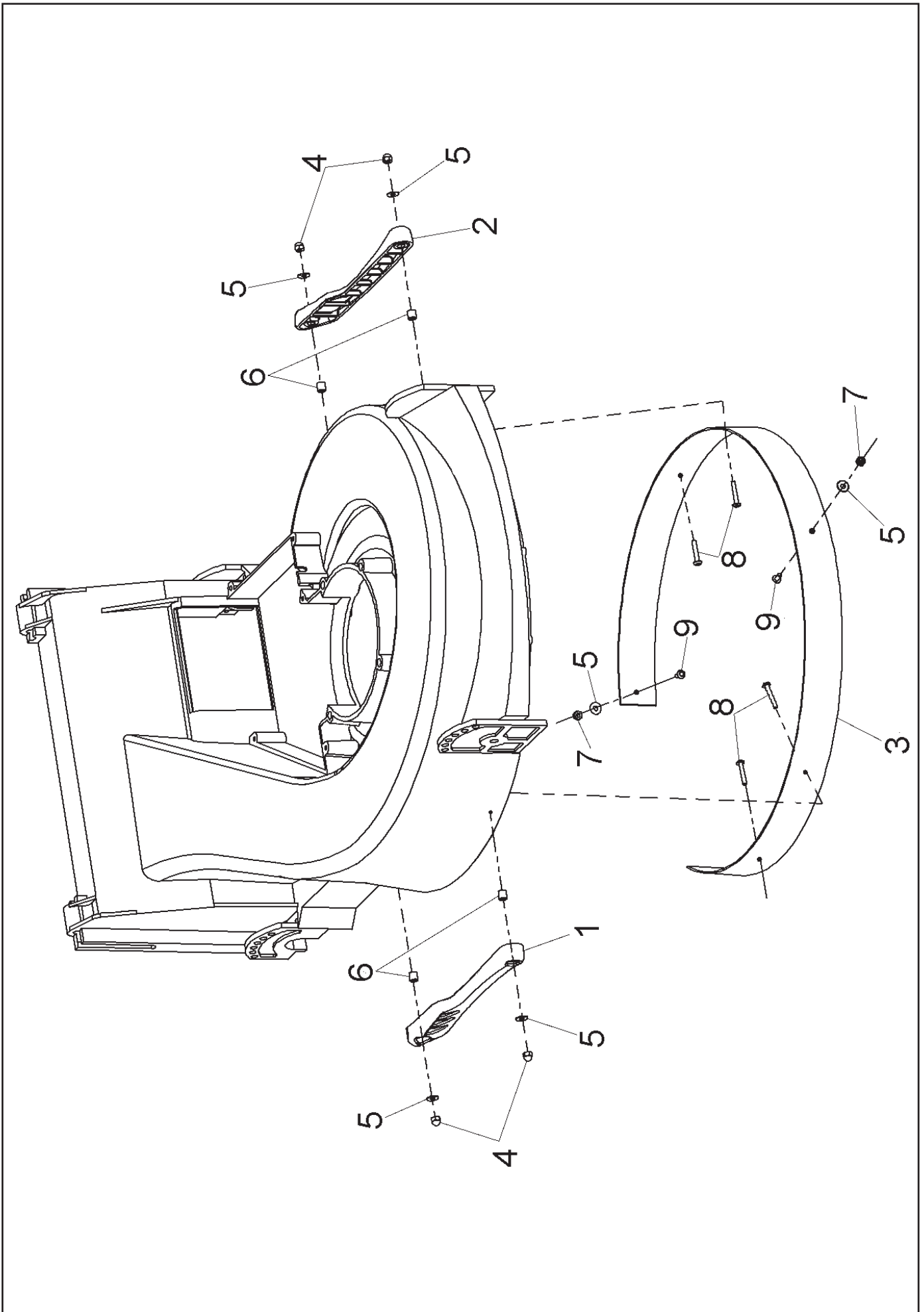


Variatore doppio - Variateur double - Double variator

RIF.	COD.	Q.	DESCRIZIONE - DESCRIPTION	RIF.	COD.	Q.	DESCRIZIONE - DESCRIPTION
REF.	N° / P P / N°			REF.	N° / P P / N°		
1	50813	1	PULEGGIA - PUOLIE - PULLEY	14	20058	1	DADO - ECROU - NUT
3	50667	2	CUSCINETTO - ROULEMENT - BEARING	15	35881	2	BUSSOLA - ENTRETOISE - SPACER
4	20788	3	DADO - ECROU - NUT	16	50795	1	LEVA - LEVIER - LEVER
5	20711	3	RONDELLA - RONDELLE - WASHER	17	50311	1	MOLLA - RESSORT - SPRING
6	50852	1	PIASTRA - PLAQUE - PLATE	18	50801	1	DISTANZIALE
7	50854	2	BUSSOLA - ENTRETOISE - SPACER	19	50803	2	BUSSOLA - ENTRETOISE - SPACER
8	50790	1	PERNO - PIVOT - PIN	20	50799	1	LEVA - LEVIER - LEVER
9	50540	2	BUSSOLA - ENTRETOISE - SPACER	21	50710	4	CUSCINETTO - ROULEMENT - BEARING
10	21686	1	RONDELLA - RONDELLE - WASHER	22	20219	2	SEEGER
11	21142	2	VITE - VIS - SCREW	23	50869	1	VITE - VIS - SCREW
12	50788	1	LEVA - LEVIER - LEVER	24	50802	1	DISTANZIALE
13	50879	1	SEEGER	25	40720	1	VITE - VIS - SCREW

NOTE - NOTES

Paracolpi - Tampon - Buffer

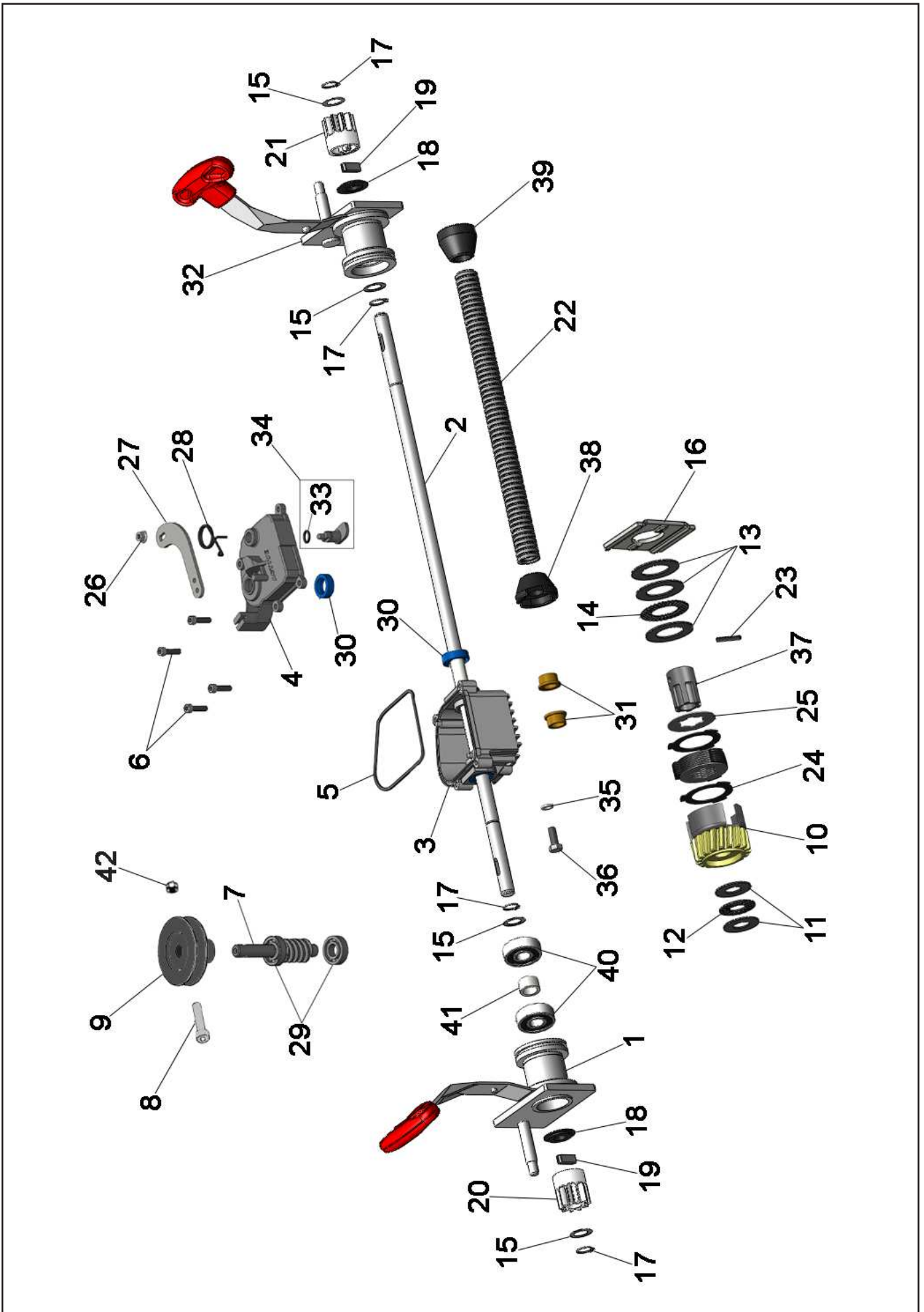


Paracolpi - Tampon - Buffer

RIF.	COD.	Q.	DESCRIZIONE - DESCRIPTION	RIF.	COD.	Q.	DESCRIZIONE - DESCRIPTION
REF.	N° / P P / N°			REF.	N° / P P / N°		
1	50941	1	PROTEZIONE - PROTECTION - GUARD (dx)	6	21239	4	BUSSOLA - ENTRETOISE - SPACER
2	50940	1	PROTEZIONE - PROTECTION - GUARD (sx)	7	20289	2	DADO - ECROU - NUT
3	50943	1	PROTEZIONE - PROTECTION - GUARD	8	50944	4	VITE - VIS - SCREW
4	50961	4	DADO - ECROU - NUT	9	21246	2	VITE - VIS - SCREW
5	21139	6	RONDELLA - RONDELLE - WASHER				

NOTE - NOTES

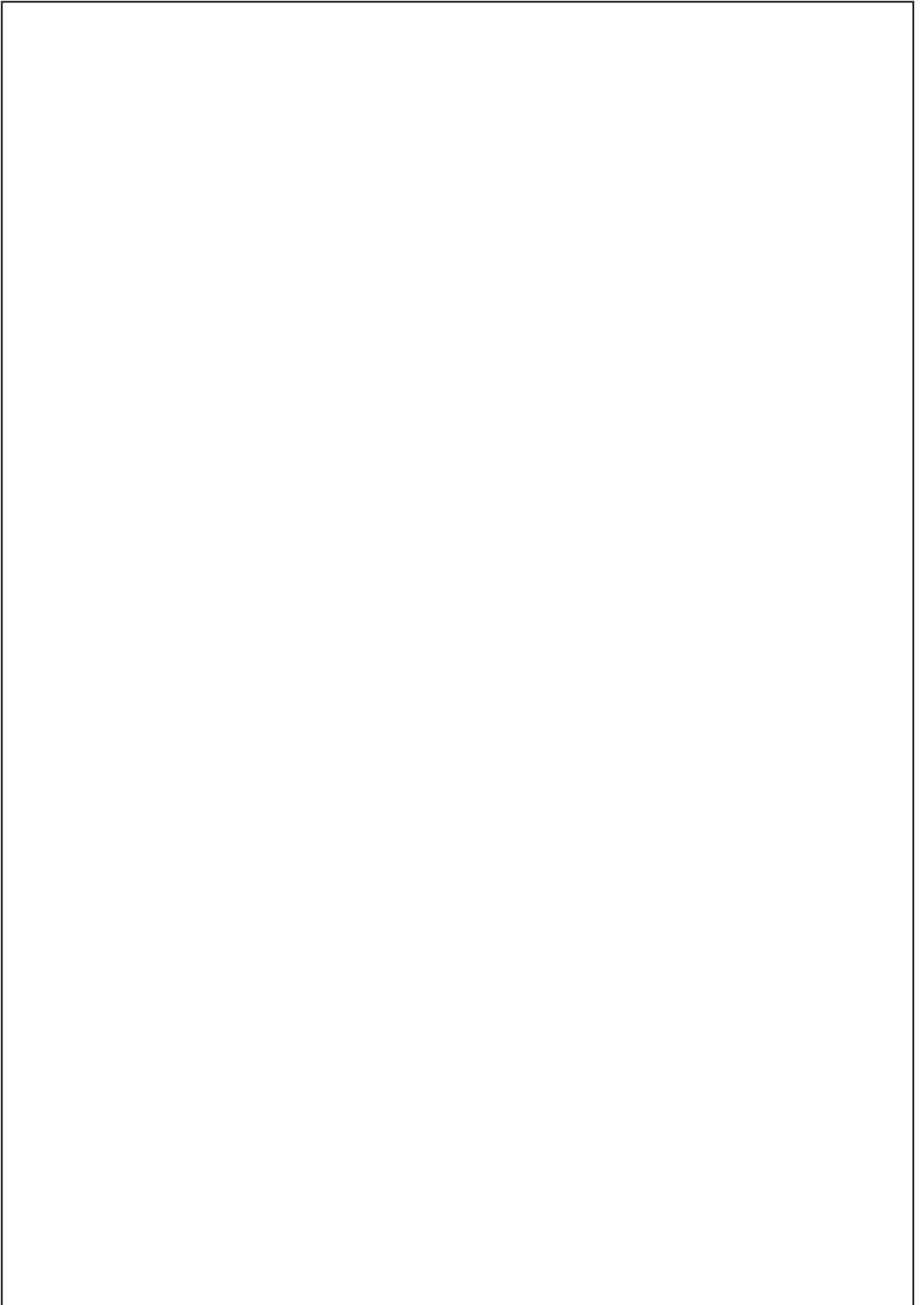
50256 Trasmissione - Transmission - Transmission



50256 Trasmissione - Transmission - Transmission

RIF. REF.	COD. N° / P P / N°	Q.	DESCRIZIONE - DESCRIPTION	RIF. REF.	COD. N° / P P / N°	Q.	DESCRIZIONE - DESCRIPTION
1	50272	1	PIASTRA - PLAQUE - PLATE (POST.SX)	22	50449	1	PROTEZIONE - PROTECTION - GUARD
2	50649	1	ALBERO - ARBRE - SHAFT	23	50295	1	SPINA ELAST. - GOUPILLES - ELAST.PIN
3	50606	1	SCATOLA - BOITE - BOX	24	50706	10	DISCO - DISK
4	50157	1	COPERCHIO - COUVERTURE - COVER	25	50707	10	DISCO - DISK
5	50321	1	GUARNIZIONE - JOINT - GASKET	26	50519	1	DADO - ECROU - NUT
6	20001	4	VITE - VIS - SCREW	27	50255	1	LEVA - LEVIER - LEVER
7	50524	1	VITE S.F. - VIS - SCREW	28	50310	1	MOLLA - RESSORT - SPRING
8	20169	1	VITE - VIS - SCREW	29	22511	2	CUSCINETTO - ROULEMENT - BEARING
9	50805	1	PULEGGIA - PUOLIE - PULLEY	30	50320	3	ANELLO DI TENUTA - JOINT - SEAL
10	50281	1	ASSIEME CAMPANA - TAMBOUR - DRUM	31	50540	2	BUSSOLA - ENTRETOISE - SPACER
11	50303	1	RONDELLA - RONDELLE - WASHER	32	50273	1	PIASTRA - PLAQUE - PLATE (POST.DX)
12	50521	1	CUSCINETTO - ROULEMENT - BEARING	33	20324	1	O-RING
13	50261	3	RONDELLA - RONDELLE - WASHER	34	50179	1	LEVA - LEVIER - LEVER
14	50522	1	CUSCINETTO - ROULEMENT - BEARING	35	50772	1	RONDELLA - RONDELLE - WASHER
15	50678	4	RASAMENTO - RONDELLE - WASHER SHIMS	36	50771	1	VITE - VIS - SCREW
16	50546	1	LEVA - LEVIER - LEVER	37	50284	1	BUSSOLA - ENTRETOISE - SPACER
17	20218	4	SEEGER	38	50342	1	BUSSOLA - ENTRETOISE - SPACER
18	50186	2	PROTEZIONE - PROTECTION - GUARD	39	50343	1	BUSSOLA - ENTRETOISE - SPACER
19	50188	2	CHIAVETTA - CLAVETTE - KEY	40	20875	4	CUSCINETTO - ROULEMENT - BEARING
20	50527	1	PIGNONE - PIGNON - PINION (SX)	41	50650	2	DISTANZIALE - ENTRETOISE - SPACER
21	50528	1	PIGNONE - PIGNON - PINION (DX)	42	20061	1	DADO - ECROU - NUT

NOTE - NOTES



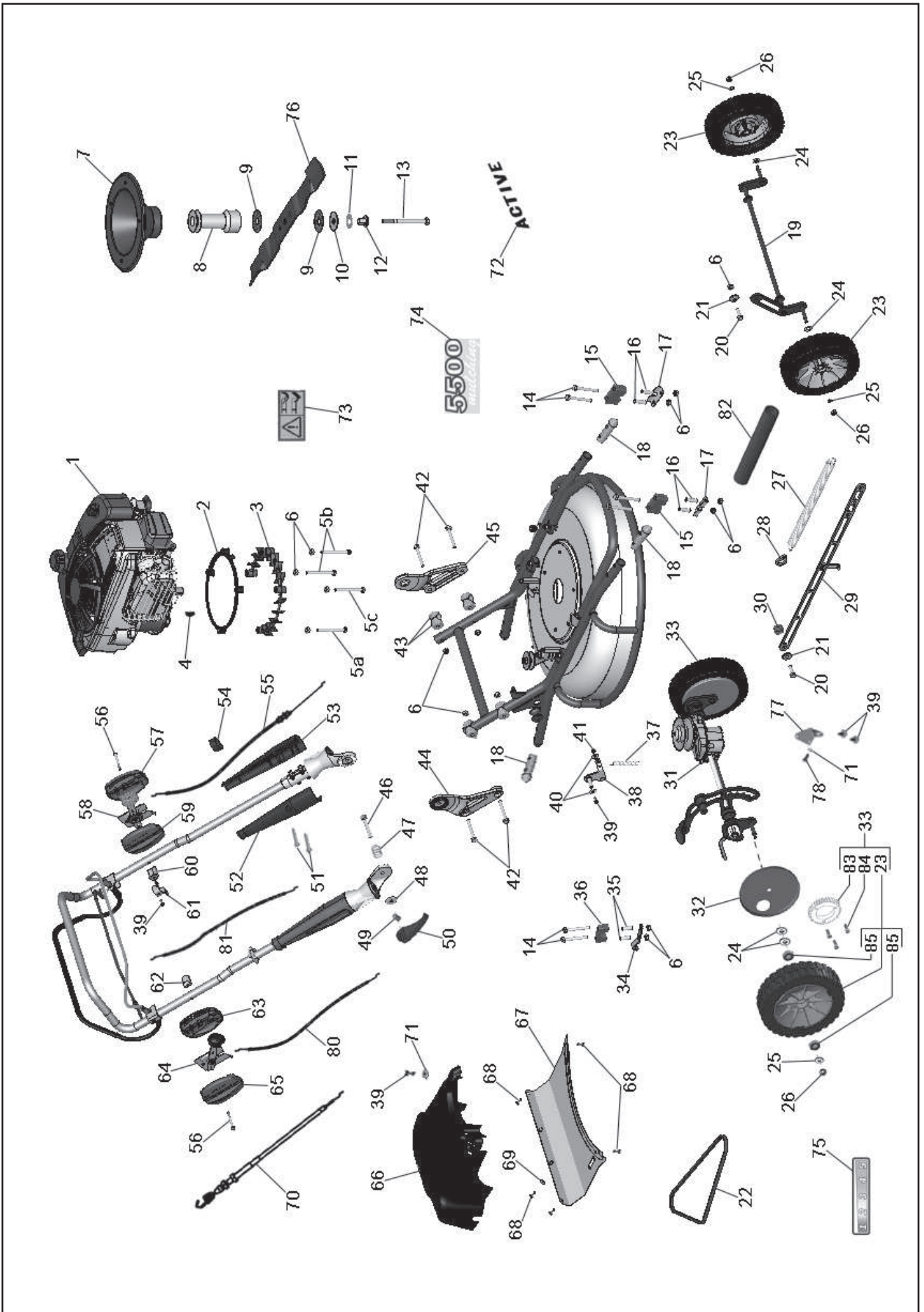


RICAMBI RASAERBA
PIECES DETACHEES TONDEUSES
LAWN MOWERS SPARE PARTS

MULCHING

5500 SVB

Rasaerba - Tondeuses - Lawn mowers (5500 SVB)



Rasaerba - Tondeuses - Lawn mowers (5500 SVB)

RIF.	COD.	Q.	DESCRIZIONE - DESCRIPTION	RIF.	COD.	Q.	DESCRIZIONE - DESCRIPTION
REF.	N° / P / N°			REF.	N° / P / N°		
1	50243	1	MOTORE - MOTEUR - ENGINE	42	21142	4	VITE - VIS - SCREW
2	50634	1	FLANGIA - FLASQUE - FLANGE	43	50484	8	SUPPORTO - SUPPORT - MOUNTING
3	50928	1	FLANGIA - FLASQUE - FLANGE	44	50349	1	PIASTRA - PLAQUE - PLATE (SX)
4	50306	1	CHIAVETTA - CLAVETTE - KEY	45	50350	1	PIASTRA - PLAQUE - PLATE (DX)
5	a) 50671	1	VITE - VIS - SCREW	46	23578	2	VITE - VIS - SCREW
	b) 50642	2	VITE - VIS - SCREW	47	41808	2	MOLLA - RESSORT - SPRING
	c) 40291	1	VITE - VIS - SCREW	48	21686	2	RONDELLA - RONDELLE - WASHER
6	50666	17	DADO - ECROU - NUT	49	50101	2	BOCCOLA - ANNEAU - SPACER
7	51241	1	PROTEZIONE - PROTECTION - GUARD	50	50127	2	LEVA - LEVIER - LEVER
8	50373	1	MOZZO - MOYEUR - HUB (Ø25)	51	36253	4	VITE - VIS - SCREW
9	50385	2	DISCO - DISK	52	50231	2	CARTER - CAPOT - HOUSING
10	51237	1	RONDELLA - RONDELLE - WASHER	53	50228	2	CARTER - CAPOT - HOUSING
11	51243	1	MOLLA - RESSORT - SPRING	54	20320	2	FASCETTA - CLIP
12	51235	1	RONDELLA - RONDELLE - WASHER	55	50833	1	CAVO - CABLE (Variatore)
13	51242	1	VITE - VIS - SCREW	56	20190	2	VITE - VIS - SCREW
14	40377	8	VITE - VIS - SCREW	57	50836	1	CARTER (SX)
15	50991	2	DISTANZIALE - ENTRETOISE - SPACER	58	50866	1	LEVA - LEVIER - LEVER (Variatore)
16	51214	4	BOCCOLA - ANNEAU - SPACER	59	50210	1	CARTER (DX)
17	50993	2	PIASTRA - PLAQUE - PLATE (ANT.)	60	51225	1	DISTANZIALE - ENTRETOISE - SPACER
18	50482	4	BOCCOLA - ANNEAU - SPACER	61	50206	1	STAFFA - PALIER - BRACKET
19	51201	1	ASSALE - AXE - AXLE	62	51227	1	BOCCOLA - ANNEAU - SPACER
20	40370	2	VITE - VIS - SCREW	63	50569	1	CARTER (SX)
21	51212	2	DISTANZIALE - ENTRETOISE - SPACER	64	50094	1	LEVA - LEVIER - LEVER (Gas)
22	50086	1	CINGHIA - COURROIE - BELT	65	50104	1	CARTER (DX)
23	50702	2	RUOTA - ROUE - WHEEL	66	50386	1	CARTERINO - COUVERCLE - COVER
24	20790	6	RONDELLA - RONDELLE - WASHER	67	50168	1	PROTEZIONE - PROTECTION - GUARD
25	20711	6	RONDELLA - RONDELLE - WASHER	68	35803	4	VITE - VIS - SCREW
26	50663	4	DADO - ECROU - NUT	69	20316	2	RONDELLA - RONDELLE - WASHER
27	51219	1	MOLLA - RESSORT - SPRING	70	50472	1	CAVO - CABLE (Trazione - Traction)
28	51208	1	TIRANTE - TIRAGE - STAY BAR	71	21139	2	RONDELLA - RONDELLE - WASHER
29	50998	1	ASTA - TIGE DE LIAISON - CONNECTION ROD	72	50762	1	ADESIVO ACTIVE - MARQUE - BRAND
30	50980	1	DISTANZIALE - ENTRETOISE - SPACER	73	50909	1	ADESIVO - ADHESIF - ADHESIVE
31	51230	1	KIT: TRASMISSIONE - BOITE DE VIT. - GEARBOX	74	50632	1	ADESIVO SERIES - ADHESIF - ADHESIVE
32	50174	2	PARAPOLVERE - PROTECTION - GUARD	75	51234	1	ADESIVO - ADHESIF - ADHESIVE
33	50684	2	KIT: RUOTA - ROUE - WHEEL	76	50730	1	LAMA - LAME - BLADE (mulching 55 cm)
34	50526	2	PIASTRA - PLAQUE - PLATE (POST.)	77	50384	1	PIASTRA - PLAQUE - PLATE
35	51213	4	BOCCOLA - ANNEAU - SPACER	78	21246	1	VITE - VIS - SCREW
36	50988	2	DISTANZIALE - ENTRETOISE - SPACER	80	50202	1	CAVO - CABLE (Gas)
37	40383	1	MOLLA - RESSORT - SPRING	81	50241	1	CAVO - CABLE (Sollev.)
38	50371	1	STAFFA - PALIER - BRACKET	82	50488	1	GOMMINO - CAOUTCHOUC - RUBBER
39	20272	6	VITE - VIS - SCREW	83	50529	2	CORONA - COURONNE - CROWN
40	40151	2	RONDELLA - RONDELLE - WASHER	84	20328	6	VITE - VIS - SCREW
41	20289	1	DADO - ECROU - NUT	85	50155	8	CUSCINETTO - ROULEMENT - BEARING

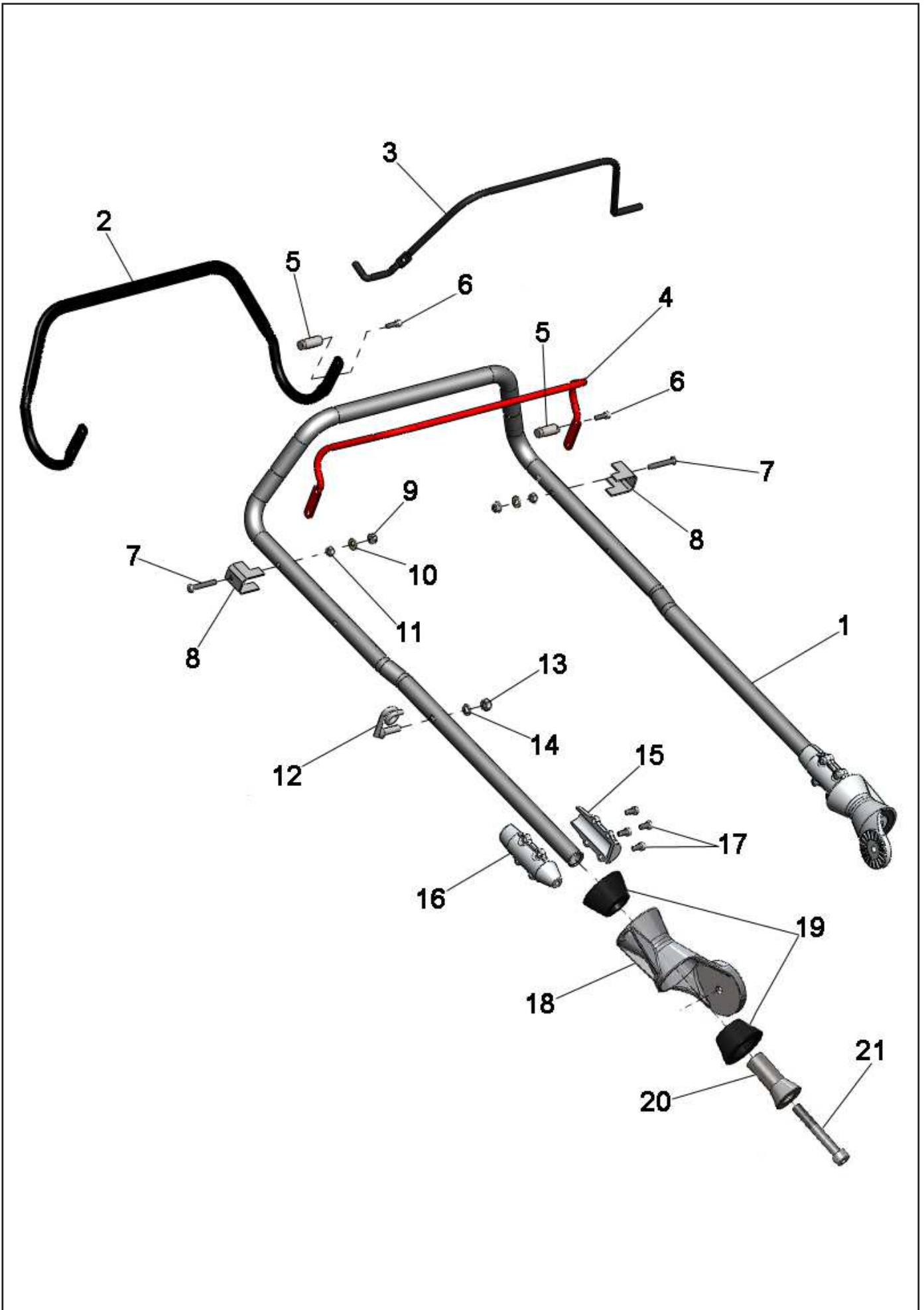
NOTE - NOTES



Valido dal N° di serie
A partir de N° de matricule suivant
From serial N°

55VB140001

Manubrio - Mancheron - Upper Handle

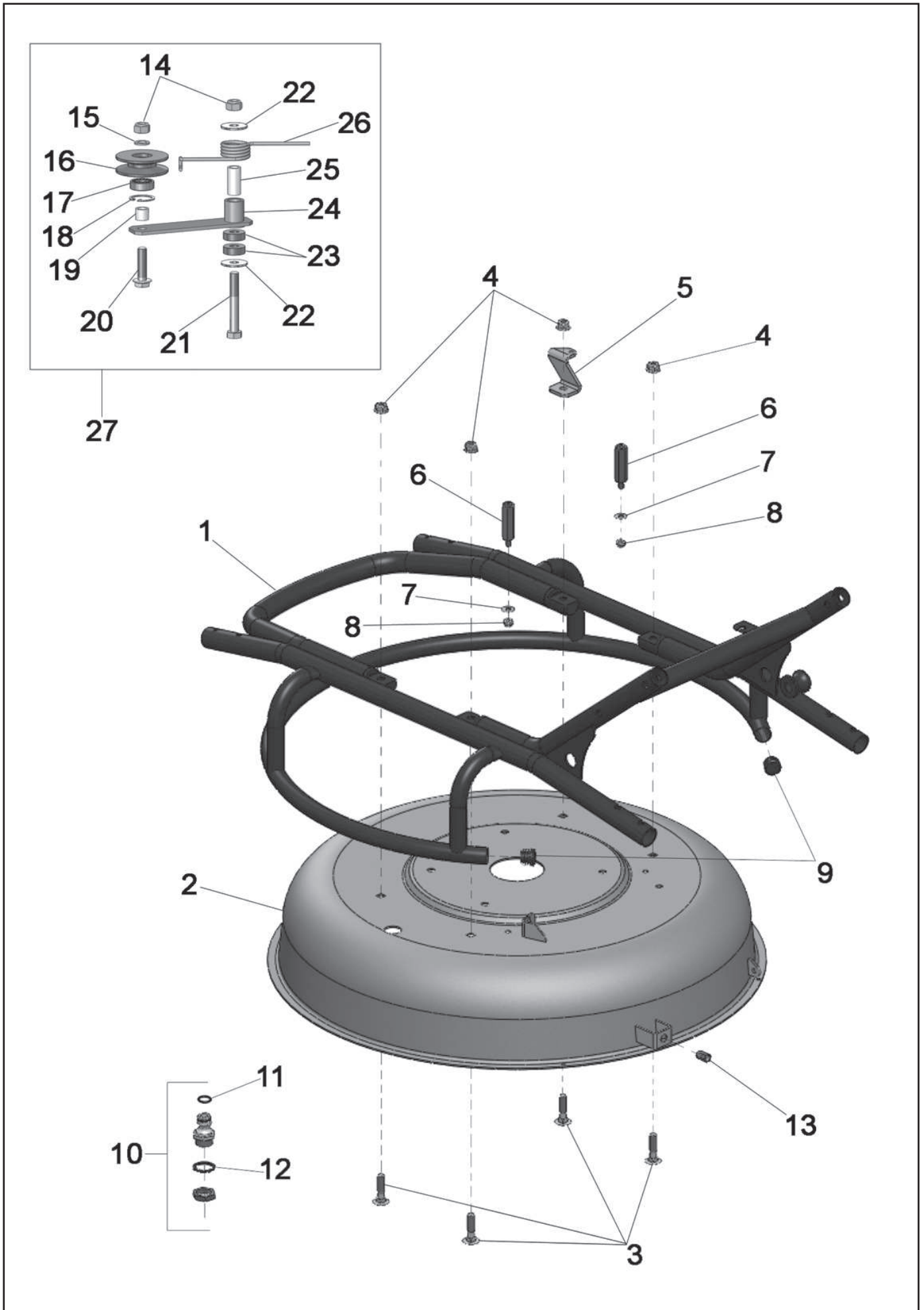


Manubrio - Mancheron - Upper Handle

RIF. REF.	COD. N° / P P / N°	Q.	DESCRIZIONE - DESCRIPTION	RIF. REF.	COD. N° / P P / N°	Q.	DESCRIZIONE - DESCRIPTION
1	51240	1	MANUBRIO - MANCHERON - UPPER HANDLE	12	50105	1	GUIDE ZONE START - MANCHERON - HANDLE
2	50177	1	MANIGLIA - POIGNEE - HANDLE (Trazione - Traction)	13	20788	1	DADO - ECROU - NUT
3	51216	1	MANIGLIA - POIGNEE - HANDLE (Sollev. - Uplift)	14	20711	1	RONDELLA - RONDELLE - WASHER
4	50175	1	MANIGLIA - POIGNEE - HANDLE (Freno - Blade)	15	50418	2	CHIUSURA - FERMETURE - CLOSING
5	51223	2	BOCCOLA - ANNEAU - SPACER	16	50226	2	CONO SUPERIORE - TOP CONE - CONE TOP
6	35803	2	VITE - VIS - SCREW	17	20328	8	VITE - VIS - SCREW
7	22045	2	VITE - VIS - SCREW	18	50351	2	CORPO ANTIVIBRANTE - CORPS - BODY
8	50558	2	STAFFA - ETRIER - STIRRUP	19	50338	4	GOMMA - CAOUTCHOUC - RUBBER
9	31216	2	DADO - ECROU - NUT	20	50340	2	CONO INFERIORE - FOND CONIQUE - CONE BOTTOM
10	21139	2	RONDELLA - RONDELLE - WASHER	21	23286	2	VITE - VIS - SCREW
11	20917	2	DADO - ECROU - NUT				

NOTE - NOTES

Telaio - Chassis - Frame

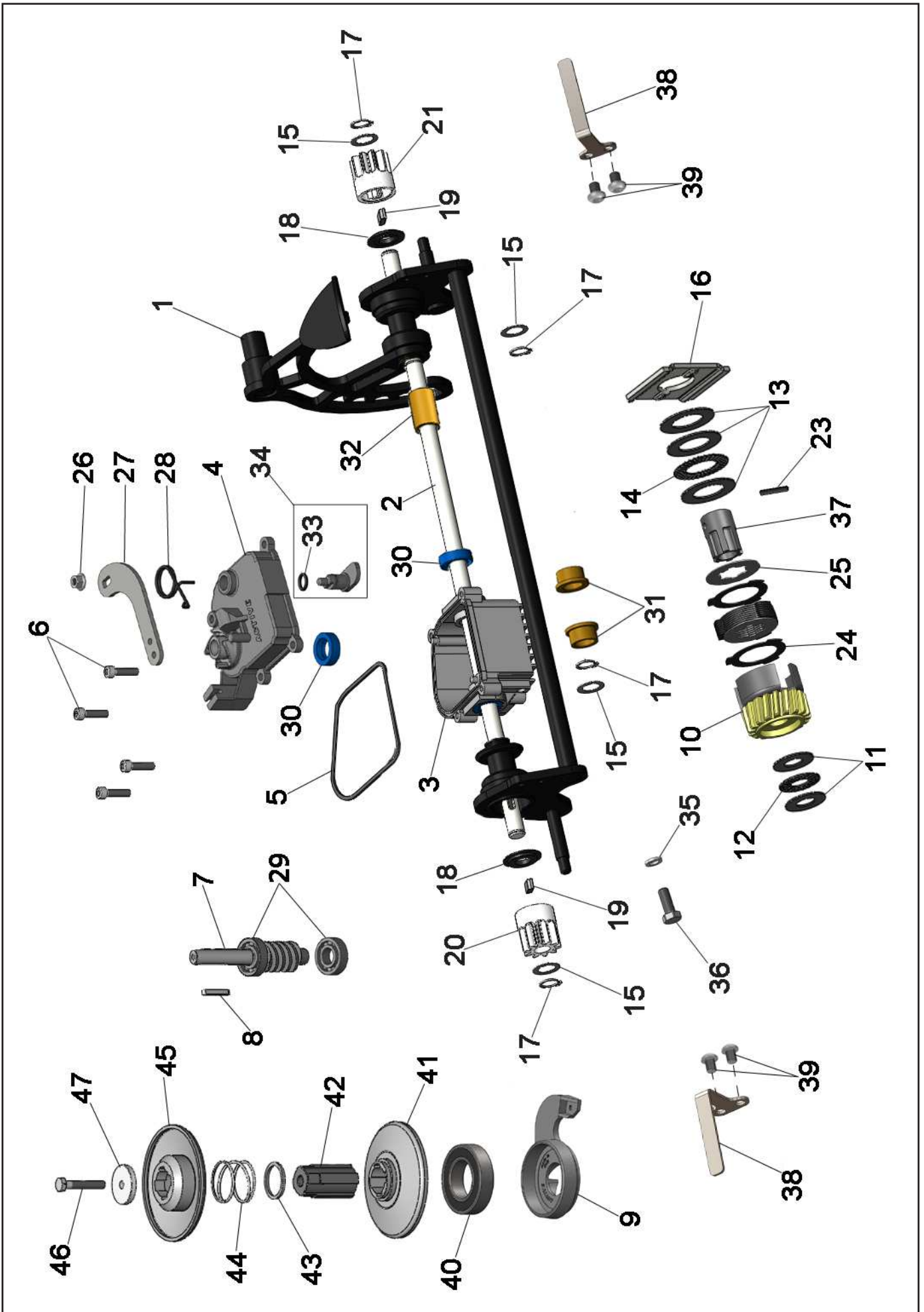


Telaio - Chassis - Frame

RIF. REF.	COD. N° / P P / N°	Q.	DESCRIZIONE - DESCRIPTION	RIF. REF.	COD. N° / P P / N°	Q.	DESCRIZIONE - DESCRIPTION
1	50979	1	TELAIO - CHASSIS - FRAME	15	20711	1	RONDELLA - RONDELLE - WASHER
2	50847	1	CARTER - CAPOT - HOUSING	16	50262	1	PULEGGIA - POULIE - PULLEY
3	50668	4	VITE - VIS - SCREW	17	22682	1	CUSCINETTO - ROULEMENT - BEARING
4	50666	4	DADO - ECROU - NUT	18	50315	1	SEEGER
5	51206	1	STAFFA - ETRIER - STIRRUP	19	50337	1	BUSSOLA - ANNEAU - SPACER
6	51033	2	BUSSOLA - ANNEAU - SPACER	20	40005	1	VITE - VIS - SCREW
7	21139	2	RONDELLA - RONDELLE - WASHER	21	50869	1	VITE - VIS - SCREW
8	20289	2	DADO - ECROU - NUT	22	40229	2	RONDELLA - RONDELLE - WASHER
9	50999	2	TAPPO - BOUCHON - PLUG	23	40513	2	DISTANZIALE - ENTRETOISE - SPACER
10	50209	1	ATTACCO ACQUA - RACCORDMENT à L'EAU - WATER CONNECTION	24	50232	1	LEVA - LEVIER - LEVER
11	23755	1	GOMMA - CAOUTCHOUC - RUBBER	25	50767	1	BUSSOLA - ANNEAU - SPACER
12	23758	1	GOMMA - CAOUTCHOUC - RUBBER	26	51229	1	MOLLA - RESSORT - SPRING
13	51232	1	BUSSOLA - ANNEAU - SPACER	27	51233	1	KIT : GALOPPINO - TENDEUR - TENSIONER
14	20788	2	DADO - ECROU - NUT				

NOTE - NOTES

51230 Trasmissione - Transmission - Transmission



51230 Trasmissione - Transmission - Transmission

RIF. REF.	COD. N° / P P / N°	Q.	DESCRIZIONE - DESCRIPTION	RIF. REF.	COD. N° / P P / N°	Q.	DESCRIZIONE - DESCRIPTION
1	50405	1	ASSALE - AXE - AXLE	25	50707	10	DISCO - DISK
2	51203	1	ALBERO - ARBRE - SHAFT	26	50519	1	DADO - EROU - NUT
3	50606	1	SCATOLA - BOITE - BOX	27	50255	1	LEVA - LEVIER - LEVER
4	50592	1	COPERCHIO - COUVERTURE - COVER	28	50310	1	MOLLA - RESSORT - SPRING
5	50321	1	GUARNIZIONE - JOINT - GASKET	29	22511	2	CUSCINETTO - ROULEMENT - BEARING
6	20001	4	VITE - VIS - SCREW	30	50320	3	ANELLO DI TENUTA - JOINT - SEAL
7	50525	1	VITE S.F. - VIS - SCREW	31	50540	2	BUSSOLA - ENTRETOISE - SPACER
8	50713	1	CHIAVETTA - CLAVETTE - KEY	32	50541	2	BUSSOLA - ENTRETOISE - SPACER
9	50244	1	LEVA - LEVIER - LEVER	33	20324	1	O-RING
10	50281	1	ASSIEME CAMPANA - TAMBOUR - DRUM	34	50179	1	LEVA - LEVIER - LEVER
11	50303	1	RONDELLA - RONDELLE - WASHER	35	50772	1	RONDELLA - RONDELLE - WASHER
12	50521	1	CUSCINETTO - ROULEMENT - BEARING	36	50771	1	VITE - VIS - SCREW
13	50261	3	RONDELLA - RONDELLE - WASHER	37	50284	1	BUSSOLA - ENTRETOISE - SPACER
14	50522	1	CUSCINETTO - ROULEMENT - BEARING	38	51204	2	STAFFA - ETRIER - STIRRUP
15	50678	4	RASAMENTO - RONDELLE - WASHER SHIMS	39	20129	4	VITE - VIS - SCREW
16	50546	1	LEVA - LEVIER - LEVER	40	50675	1	CUSCINETTO - ROULEMENT - BEARING
17	20218	4	SEEGER	41	50246	1	PULEGGIA - POULIE - PULLEY (inf.)
18	50186	2	PROTEZIONE - PROTECTION - GUARD	42	50248	1	PERNO - PIVOT - PIN
19	50188	2	CHIAVETTA - CLAVETTE - KEY	43	50250	1	RONDELLA - RONDELLE - WASHER
20	50527	1	PIGNONE - PIGNON - PINION (SX)	44	50312	1	MOLLA - RESSORT - SPRING
21	50528	1	PIGNONE - PIGNON - PINION (DX)	45	50247	1	PULEGGIA - POULIE - PULLEY (sup.)
23	50295	1	SPINA ELAST. - GOUPILLES - ELAST.PIN	46	40092	1	VITE - VIS - SCREW
24	50706	10	DISCO - DISK	47	50523	1	RONDELLA - RONDELLE - WASHER

NOTE - NOTES