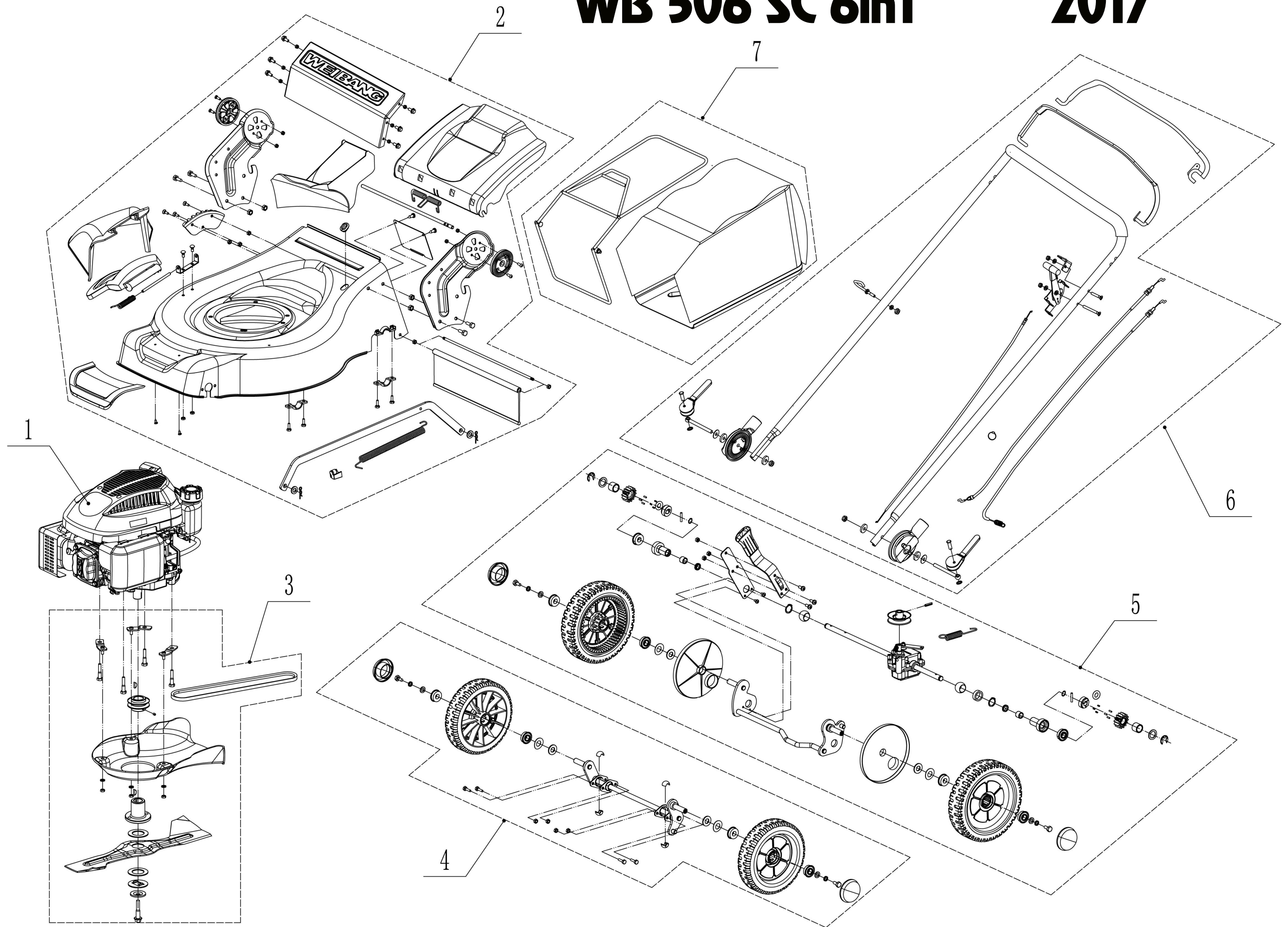
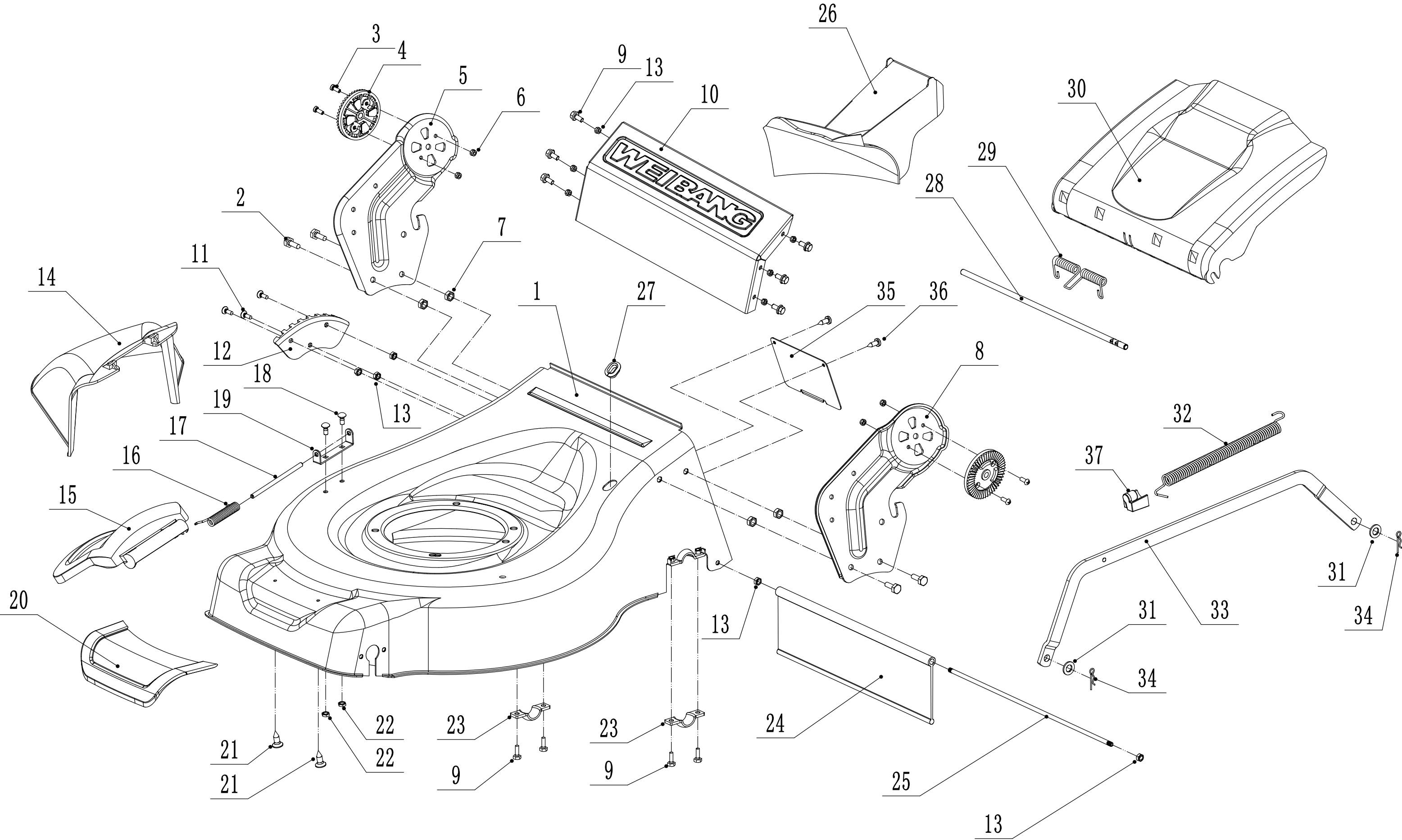


WB 506 SC 6in1

2017



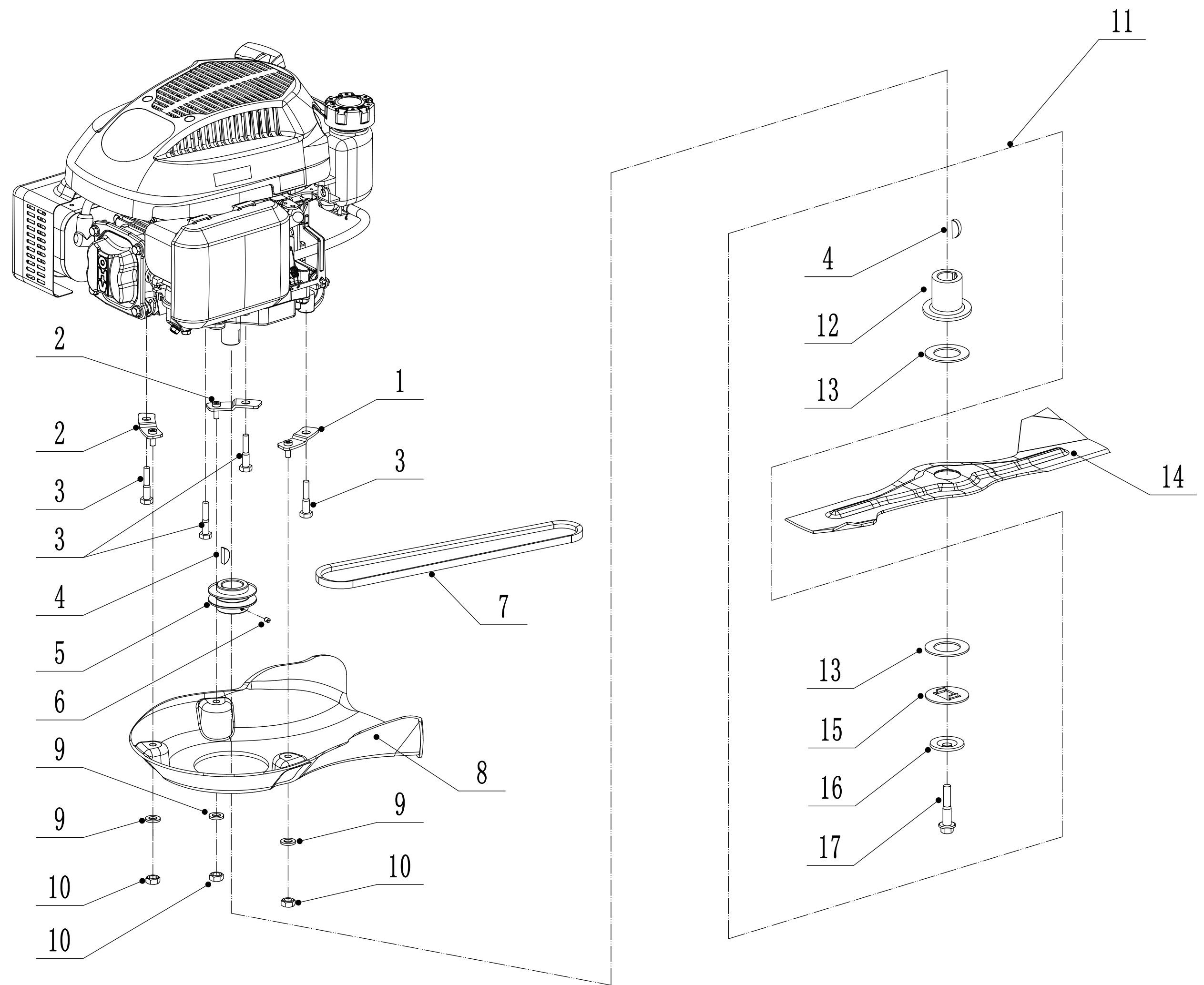
2 WB506SC-3in1 Main Body



Part 3 - Blade System

No.	ID Zboží	Název
1	5360111010/02	engine washer 1
2	5360112010/02	engine washer 2
3	5320115010	ST screw
4	5310401010	key
5	5020402040/02	engine pulley
6	0105006006	locating screw
7	5320119011	V belt
8	5040102010	belt shield
9	0302006000	big flat washer
10	0202006000	lock nut
11		
12	5320404020/02	adapter
13	5310402010	friction washer
14	5020405010A/35	blade
15	5310404010/02	lock ring
16	5310406010/04	spring washer
17	5320405010	central bolt

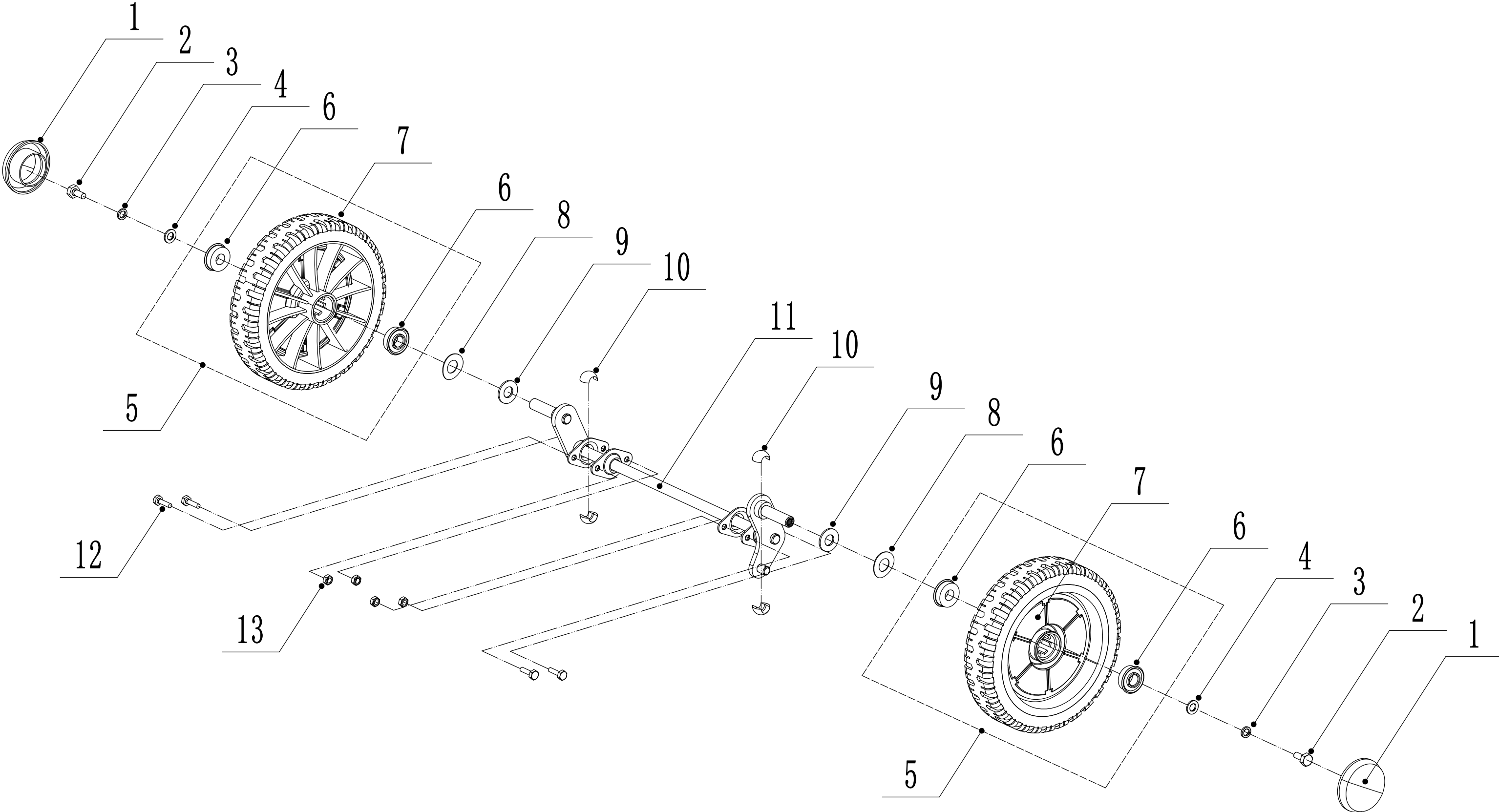
3 WB506SC-3IN1 Blade System



Part 4 - Front Axle

No.	ID Zboží	Název
1	5310214010	wheel cover
2	0101008015	bolt
3	0401008000	spring washer
4	0301008000	flat washer
5	5310212010	wheel
6	5310213010	bearing
7		
8	5310211010/02	equalizing spring
9	5310210010/02	wheel axis spacer
10	5310209010	ball bearing
11	5040201020/01	front axle welding
12	0102006012	hex flange bolt
13	0202006000	lock nut

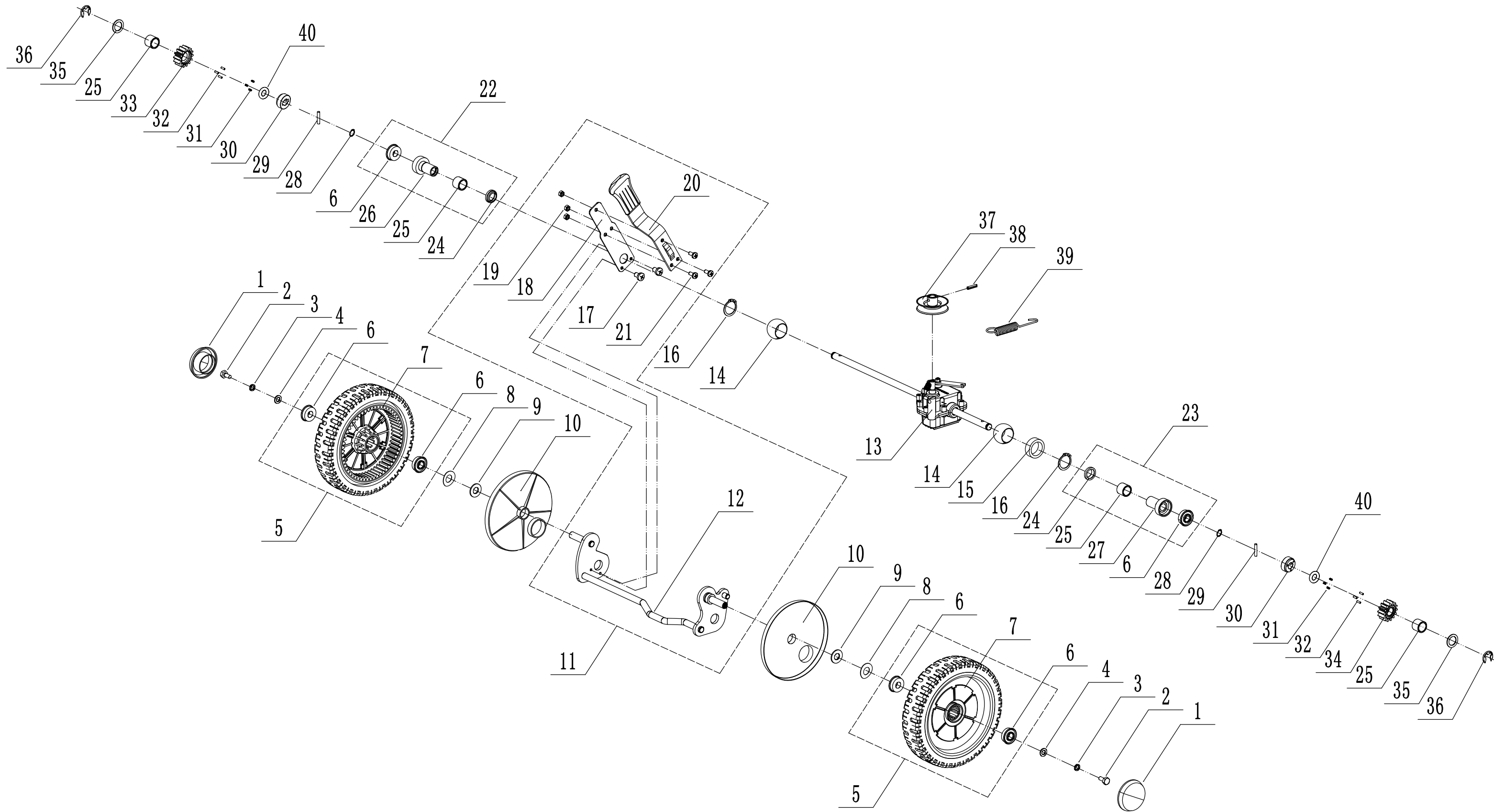
4 WB506SC-3IN1 Front Axle



Part 4 - Front Axle

No.	ID Zboží	Název
1	5310214010	wheel cover
2	0101008015	bolt
3	0401008000	spring washer
4	0301008000	flat washer
5	5310212010	wheel
6	5310213010	bearing
7		
8	5310211010/02	equalizing spring
9	5310210010/02	wheel axis spacer
10	5310209010	ball bearing
11	5040201020/01	front axle welding
12	0102006012	hex flange bolt
13	0202006000	lock nut

5 WB506SC-3IN1 Rear Axle

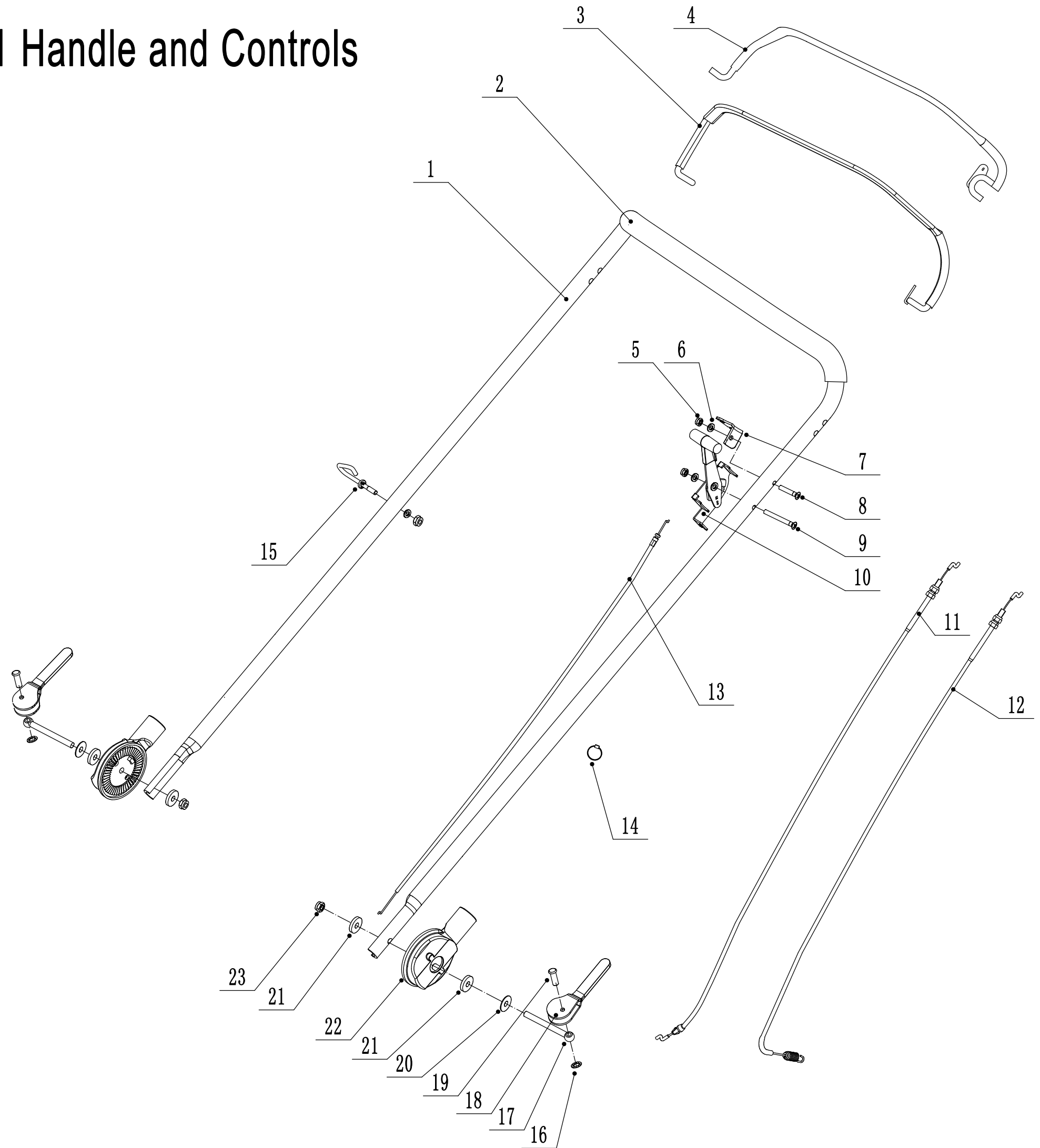


Part 5 - Rear Axle

No.	ID Zboží	Název
1	5310214010	wheel cover
2	0101008015	bolt
3	0401008000	spring washer
4	0301008000	flat washer
5	5340309010	wheel
6	5310213010	bearing
7		
8	5310211010/02	equalizing spring
9	5310210010/02	wheel axis spacer
10	5340310010	anti-dust cover
11		
12	5040301013/01	rear shaft weldment
13	Y205040P	rear transmission
14	5320328010	nylon surface bearing
15	5320329010/02	rear transmission spacer
16	1001020000	check ring for shaft
17	0104005008	cross slot bolt
18	5360311010/22	spring of adjustment lever
19	0202006000	lock nut
20	5360310010	adjustment lever
21	0104006014	cross slot screw
22	Y065321	left bearing sheath assembly
23	Y065320	right bearing sheath assembly
24	5320327010	dustproof ring
25	5320326010P	bearing
26	5320325020/02	right bearing sheath
27	5320324020/02	left bearing sheath
28	1001012000	check ring for shaft
29	HQ000100060	Check holder
30	HQ000100050	Unidirectional block
31	HQ000100040	Unidirectional telescopic pin spring
32	HQ000100030	Unidirectional telescopic pin
33	HQ000100020	right pinion
34	HQ000100010	left pinion
35	5020311010/04	friction mat
36	1301009000	check ring
37	5020308020	gearbox pulley
38	0701005020	spring pin

39	4820317010	gearbox draw staff
40	1401025015	o sealing ring

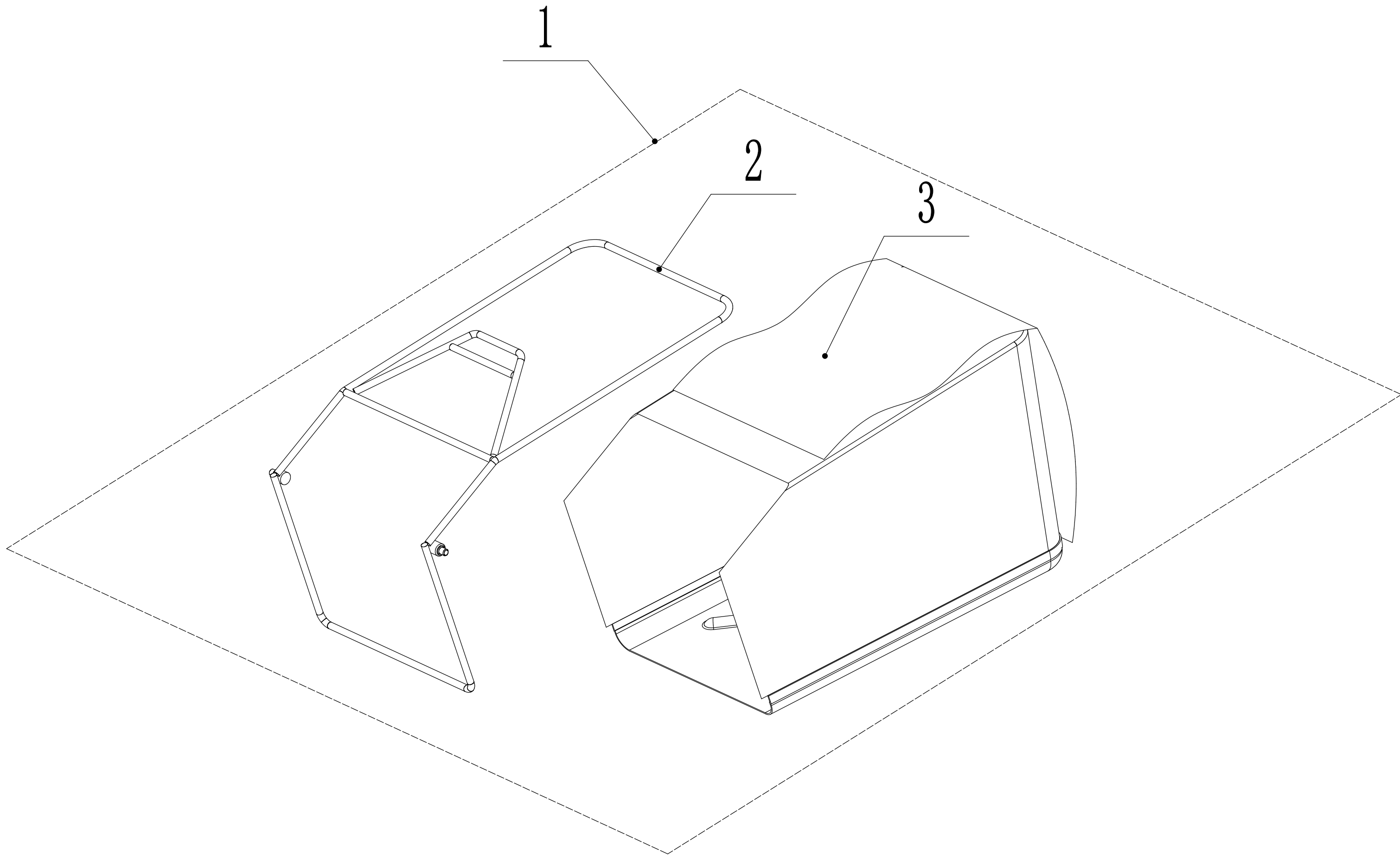
6 WB506SC-3in1 Handle and Controls



Part 6 - Handle and Controls

No.	ID Zboží	Název
1	5020501020S/44	handle
2	GM56E010000080	sheath
3	5320511030S/44	clutch lever weldment
4	5320503020S/44	brake lever weldment
5	0202006000	hexagon lock nut
6	0301006000	spacer
7	GM46B050000010/01	bracket
8	0108006040	screw
9	0108006050	screw
10	GM46B050100000	bracket
11	BS120-1140	clutch calbe
12	LH186-1225	brake cable
13	YM72-1080-A	throttle cable
14	ZD3/190	ties
15	4510511010/01	hook
16	4510114030	cap
17	GM48S000000100/02	bolt
18	GM56A100400000	lock lever
19	0801008022	pin
20	GM56A100000040/04	spacer
21	GM56A100000050/01	spacer
22	GM48S030200000	tooth disc kit
23	0201008000DD	lock nut

7 WB506SC-3IN1 Grasscatcher



Part 7 - Grasscatcher

No.	ID Zboží	Název
1	5040601010	grass catcher assembly
2	5040602010/22	grass catcher frame
3	5040603010/81	grass bag