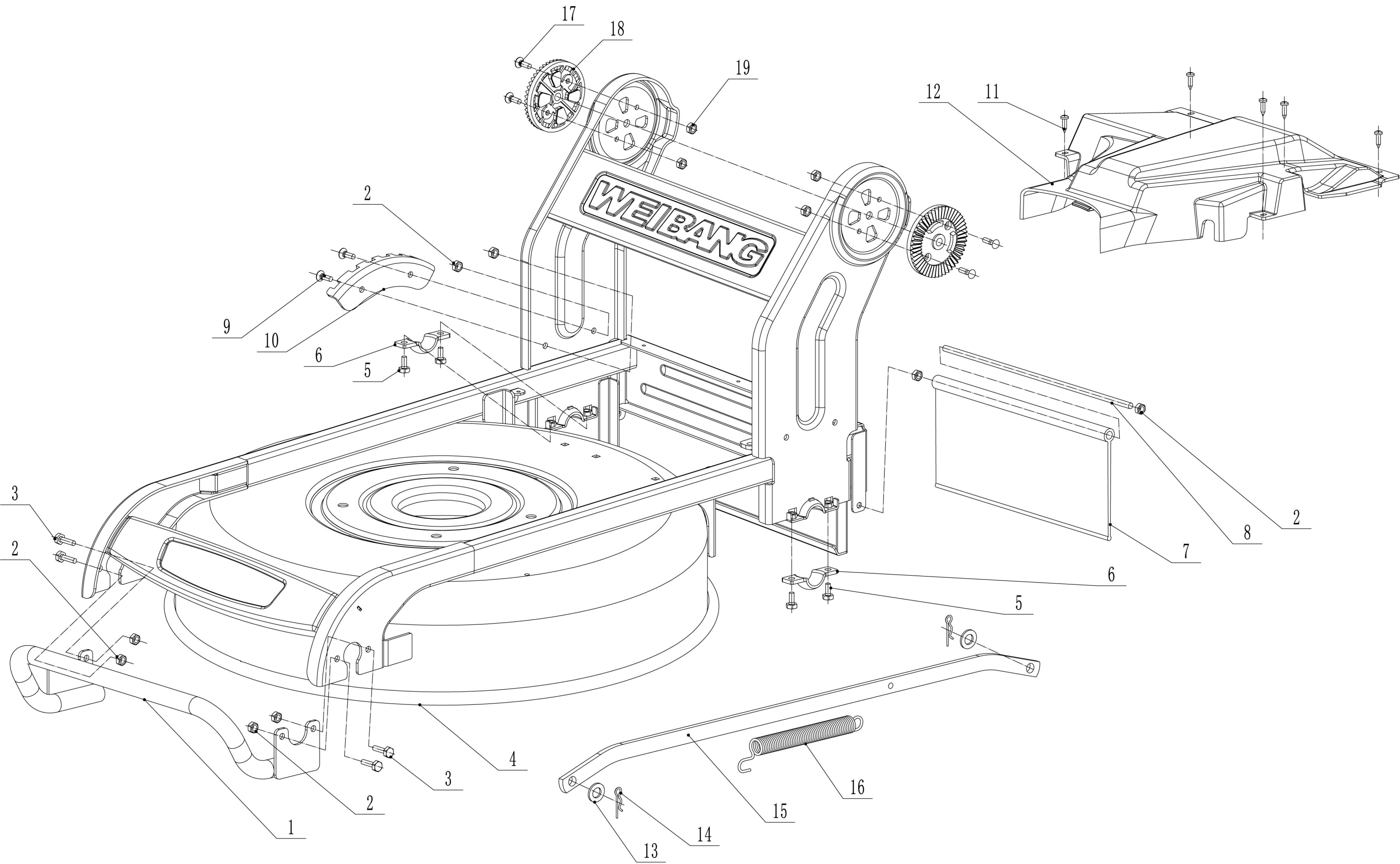


WB 537 SCM

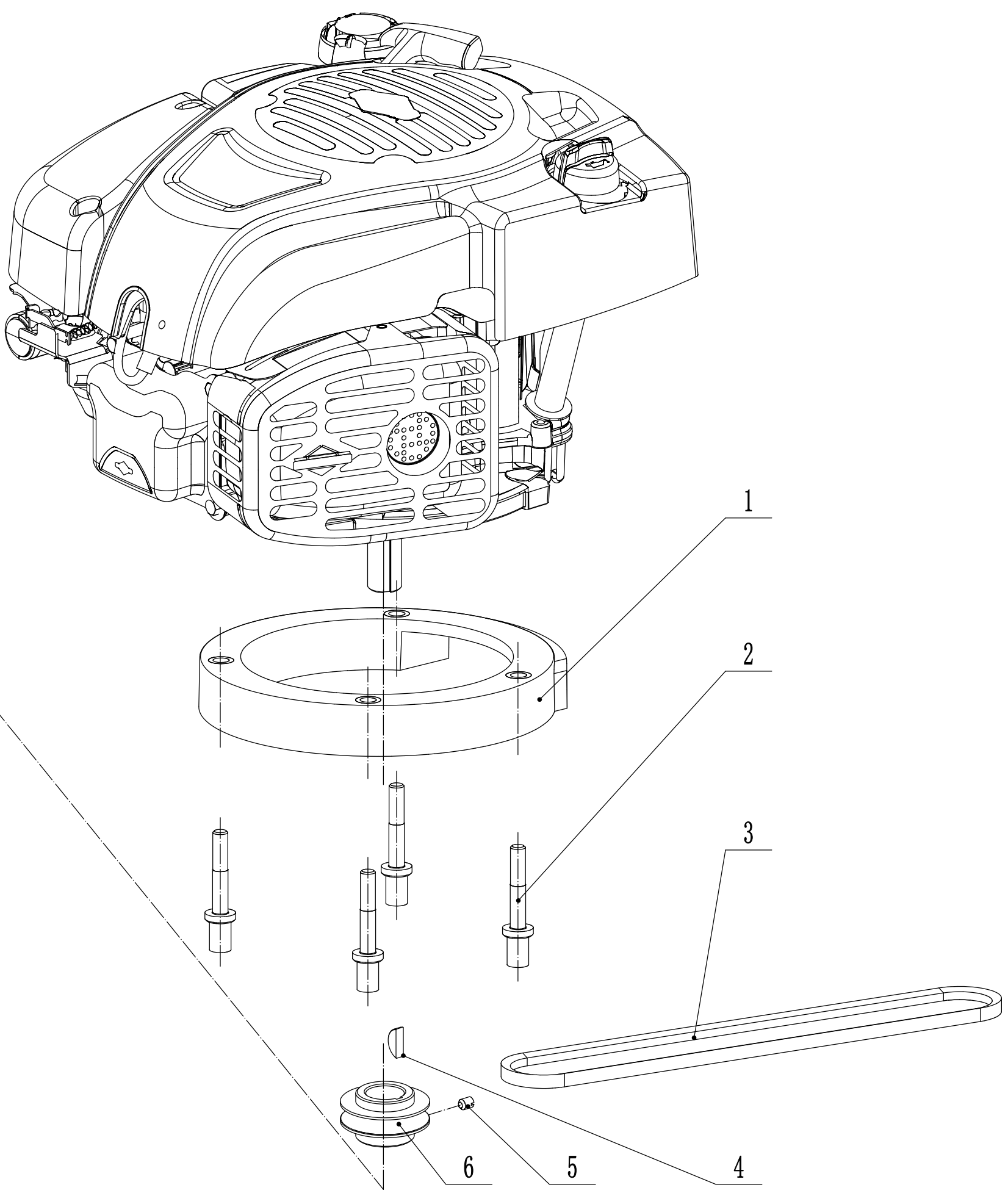
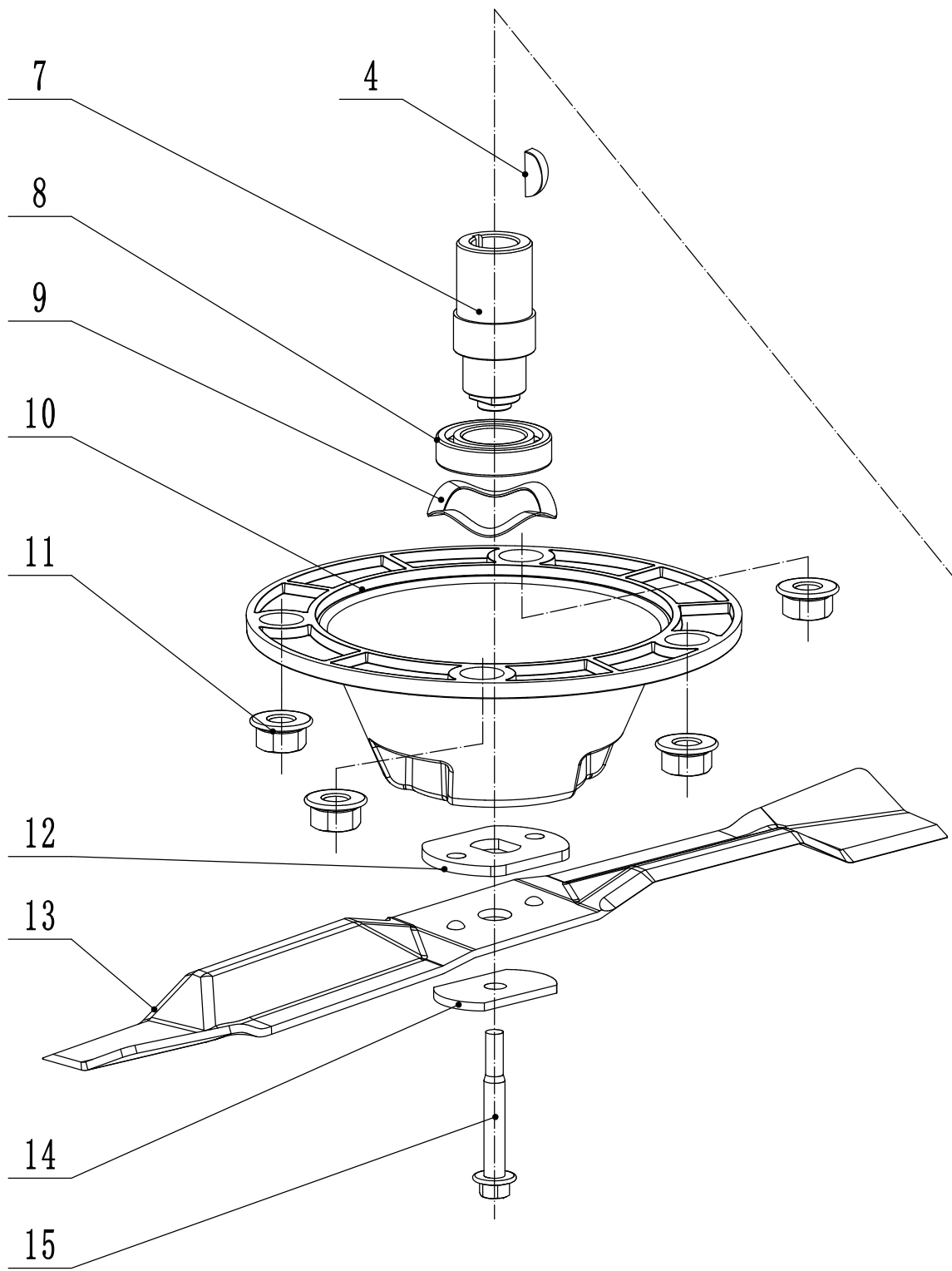
2017



Part 2 - deck assembly

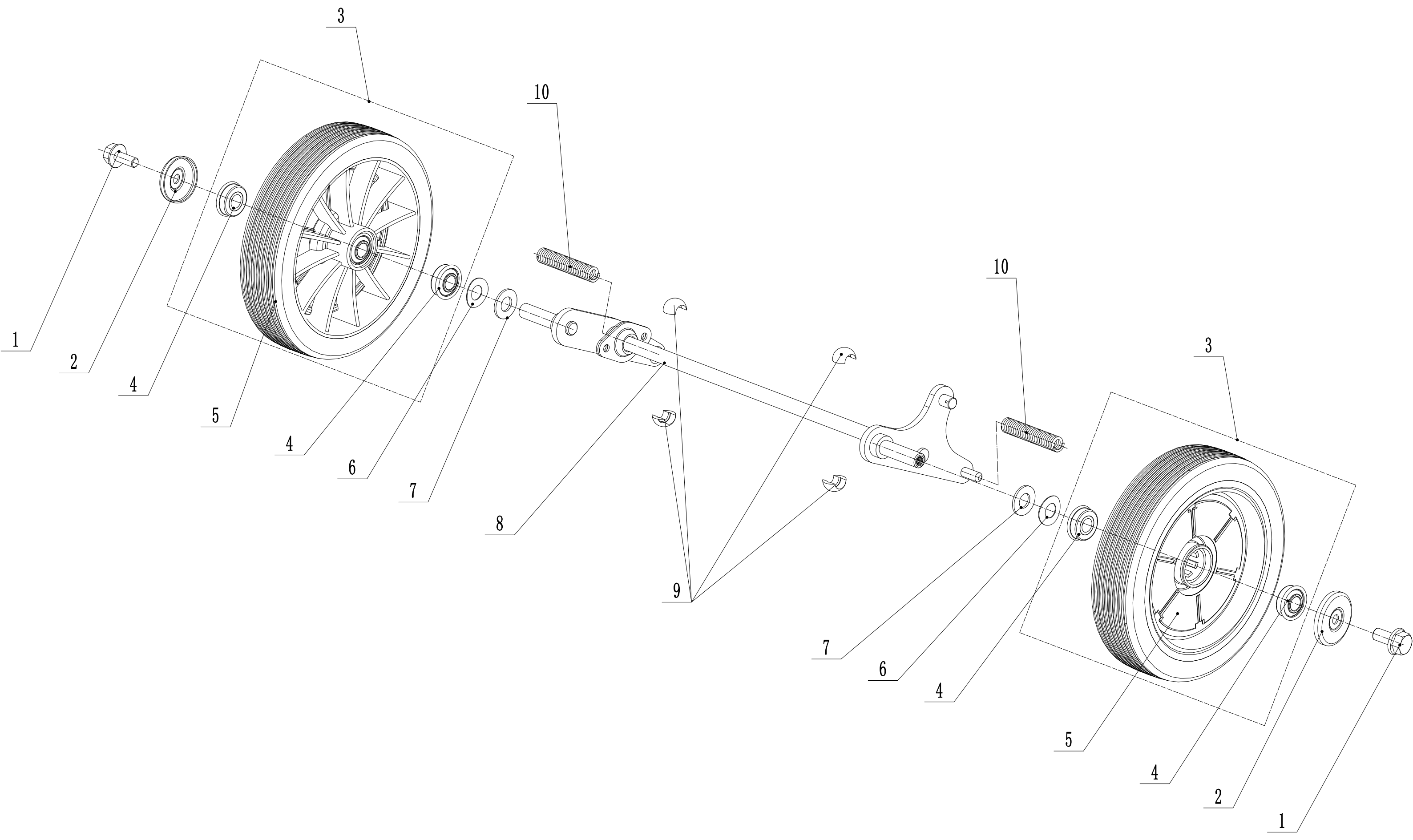
No.	ID Zboží	Název
1	GM53A040000000/44	bumper
2	0202006000	lock nut-M6
3	0102006018	bolt-M6×18
4	GM53F010000000/44	chassis
5	0102006012	bolt-M6×12
6	5320114020/01	Bearing Holder
7	GM53A000000100	Trailing Flap
8	4510112020/02	Rod - Trailing Flap
9	0104006016	screw- M6×16
10	GM53A000000030/01	graduator
11	0106004010	screw- ST4.2×10
12	GM53A000000020	shield
13	0301010000	spacer-M10
14	5320333010	check ring
15	GM53A000000040/44	rod
16	GM53F000000010/01	spring
17	0104005012	screw- M5×12
18	AVSA000000040/22	teeth disc
19	0202005000	lock nut-M5

3 WB537SCM Blade System



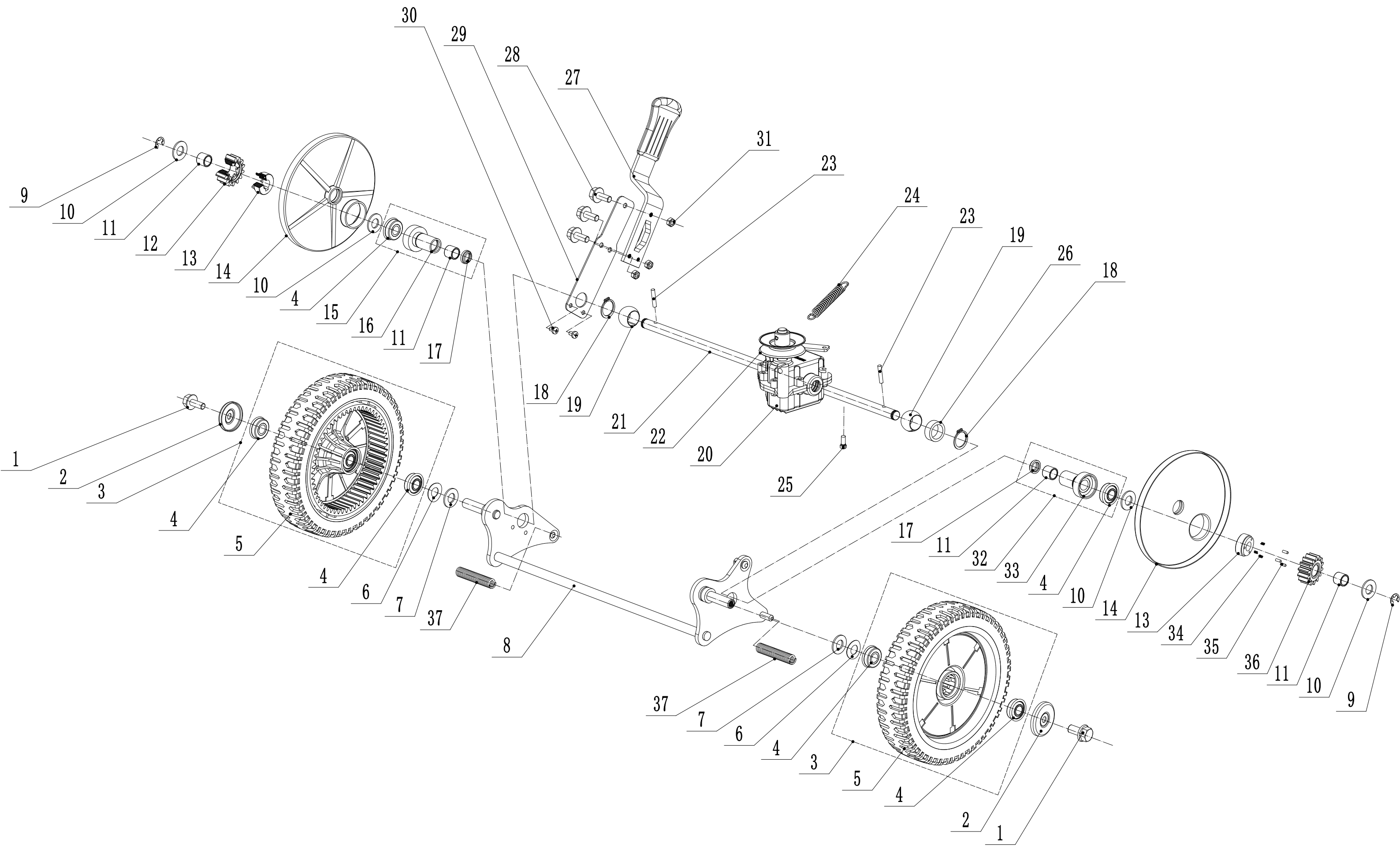
Part 3 - blade component

No.	ID Zboží	Název
1	GM53A050000000	engine base
2	GM53A000000070/02	bolt
3	VB53M10/845	belt-V10×805
4	4510401010	key
5	0105006006	screw- M6×6
6	5020402070/02	pulley
7	GM53A000000050/02	adapter
8	6006/2RS	bearing
9	GM53A000000120	spring washer
10	GM53A000000010	bracket
11	0204014000	lock nut-M14
12	GM53A000000060/02	spacer
13	GM53A000000110/22	blade
14	4510407010/04	spring washer
15	XYJ-200011	blade bolt



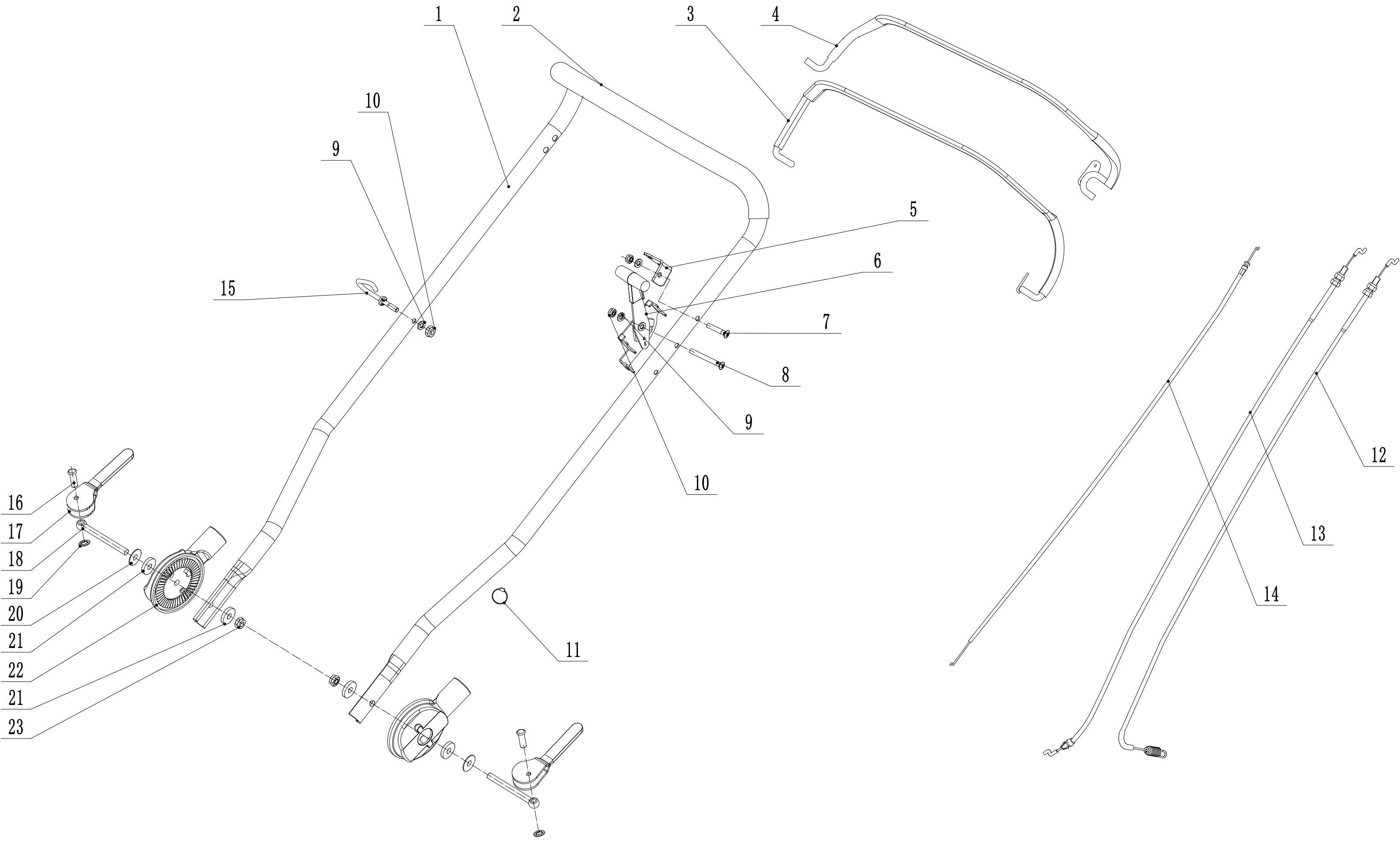
Part 4 - front axle

No.	ID Zboží	Název
1	0102008016	bolt-M8×16
2	48R0210012/01	hub cap
3	5340206011	8" AL self-propelled rear wheel
4	5310213010	bearing
5		
6	5310211010/02	spring washer
7	5310210010/02	spacer
8	GM53F020100000/01	front axle
9	5310209010	bearing
10	GM53A020000010	scraper



Part 5 - rear axle

No.	ID Zboží	Název
1	0102008016	bolt-M8×16
2	48R0210012/01	hub cap
3	5340309011	Al wheel- 9"
4	5310213010	bearing
5		
6	5310211010/02	spring washer
7	5310210010/02	spacer
8	GM53F030100000/01	rear axle
9	1301009000	E-Clip - M9
10	5020311010/04	spacer
11	5320326010P	bearing
12	HQ000100020	Drive Pinion - R/H
13	HQ000100050	Block - Drive Pinion
14	5340312010	shield
15		right bearing sheath assembly
16	5320325020/02	right bearing sheath
17	5320327010	ring
18	1001020000	check ring-M20
19	5320328010	bearing
20	Y20536M	transmission assembly
21		
22	4540318010	pulley
23	HQ000100060	pin
24	4820317010	spring
25	0101006020	bolt-M6×20
26	5020310010/02	spacer
27	5360310010	handle
28	0104006014	screw-M6×14
29	5360311010/22	spring
30	0104005008	screw-M5×8
31	02020060000	lock nut-M6
32		left bearing sheath assembly
33	5320324020/02	left bearing sheath
34	HQ000100040	Spring - Drive Pinion
35	HQ000100030	Pin - Drive Pinion
36	HQ000100010	Drive Pinion - L/H
37	GM53A020000010	scraper



Part 6 - handlebar

No.	ID Zboží	Název
1	GM53F090000010/44	Upper Handle
2	GM56E010000080	Handle Grip
3	5020506030S/44	Clutch Lever
4	5020503020S/44	OPC Lever
5	GM46B050000010/01	bracket
6	GM46B050100000	bracket
7	0108006040	Screw - M6X40
8	0108006050	Screw - M6X50
9	0301006000	Washer - M6
10	0202006000	lock nut-M6
11	ZD3/190	Cable Tie - 3X190
12	LH189-1360	clutch cable
13	BS120-1140	brake cable
14	YM72-1115-A	throttle cable
15	4510511010/01	Hook - Starter Rope
16	0801008022	Pin - 8X22
17	GM56A100500000	Lever
18	GM48S000000100/02	bolt
19	4510114030	Grip Fix
20	GM56A100000040/04	spacer
21	GM56A100000050/01	spacer
22	GM48S030200000	Height Adjuster Segment
23	0201008000DD	Lock Nut - M8