

PARTS LIST

CHAIN SAW

G2000T

NOTE :

1. Use ZENOAH genuine parts specified in the parts list for repair and/or replacement.
2. ZENOAH does not warrant the machines, those which have been damaged by the use of any parts other than those specified by the company.
3. When placing orders of parts for repair and/or replacement, check if the model name and the serial number are suitable to those specified in the parts list, then use parts number described in the parts list.
4. The contents described in the parts list may change due to improvement.
5. The parts for the machine shall be supplied within ten (10) years after the machine is discontinued.
[It is possible that some specific parts may be subject to change of their delivery term and list price within the limit of ten (10) years after the machine is discontinued. And it is also possible that some parts may be available even after the limit of ten (10) years.]

Fig. 1 Engine main parts

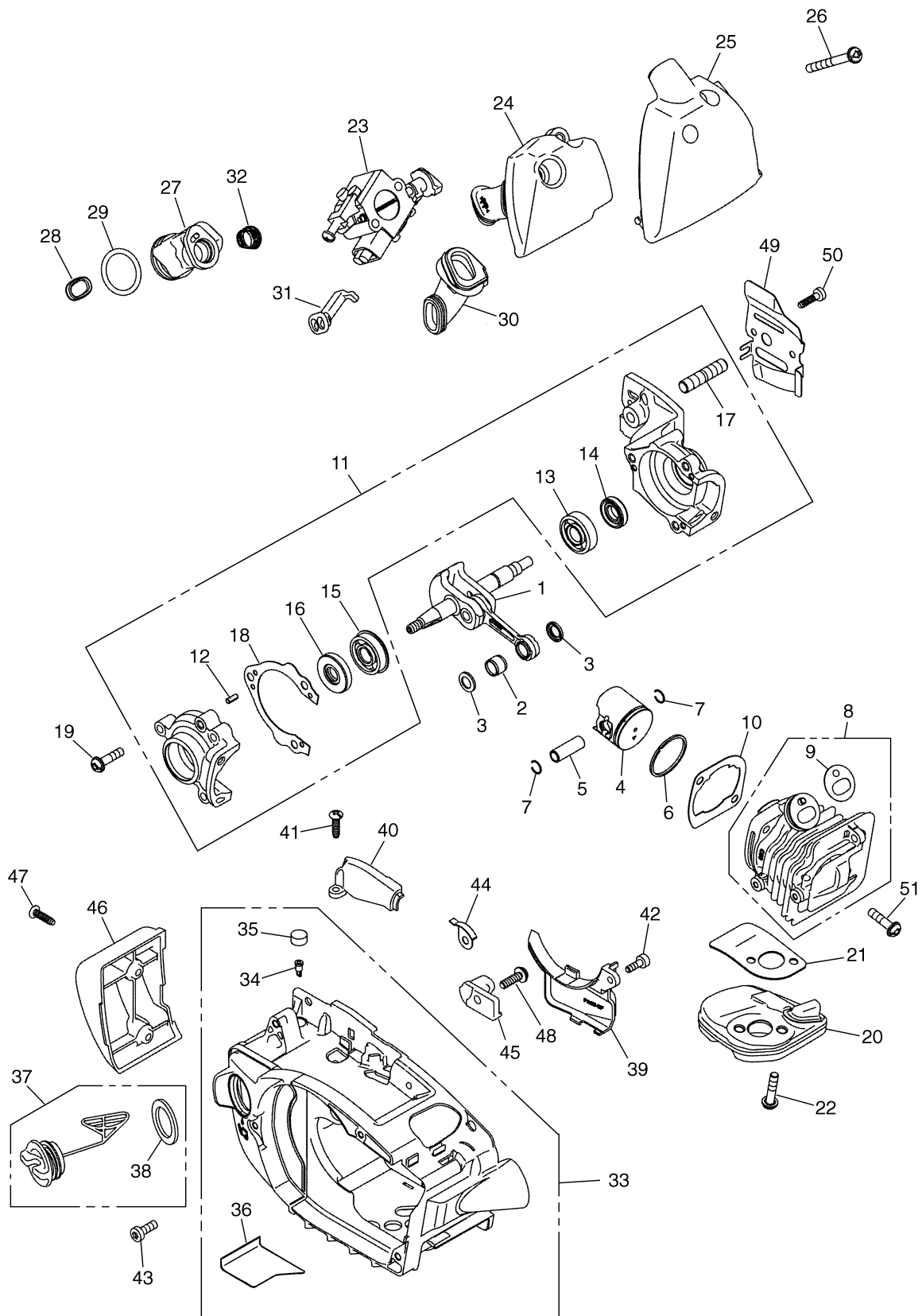


Fig. 1 Engine main parts

Key#	PART NUMBER	DESCRIPTION	Q'TY /UNIT	NOTE	Key#	PART NUMBER	DESCRIPTION	Q'TY /UNIT	NOTE
1	848C004201	SHAFT COMP.	1		47	2630-31950	SCREW	1	T4x16-CS
2	5500-41410	BEARING	1		48	8488251601	SCREW	1	T5x16-T27
3	1101-41340	WASHER	2		49	848C0066E0	PLATE	1	
4	848C0041A0	PISTON	1		50	8488241610	SCREW	2	T4x16-CS
5	1900-41310	PIN	1		51	8488152030	BOLT	2	M5x20-T27-NL
6	848C0041D0	RING	1						
7	1260-41320	RING	2						
8	848C001210	CYLINDER COMP.	1						
9	848C0014B0	• GASKET, IN	1						
10	848C0012B0	GASKET, BASE	1						
11	848C002100	CASE ASSY	1						
12	2629-21130	• PIN	3						
13	T1600-21240	• BEARING	1	10x26x8					
14	8488AA2000	• SEAL, PTO	1	10x20x5					
15	84889A2600	• BEARING	1	10x26x8-F					
16	8488AA2600	• SEAL, MAG	1	10x26x5					
17	0250-50820	• STUD	1	M8					
18	848C0021D0	• GASKET, CASE	1						
19	8488152030	BOLT	3	M5x20-T27-NL					
20	848C001512	MUFFLER	1						
21	848C0015C1	GASKET	1						
22	8488152300	BOLT	2	M5x23-T27					
23	848C018100	CARBURETOR ASSY	1	WT-855					
24	848C008091	PIPE COMP.	1						
25	848C0083H1	COVER, CARB	1						
26	8488055000	SCREW	2	M5x50-T27					
27	848C0014A1	PIPE	1						
28	848C001431	RING COMP.	1						
29	2880-14120	SPRING	1						
30	848C0083W0	PIPE, AIR	1						
31	848C0082C0	GUIDE, CARB	1						
32	848C1414D0	PIPE	1						
33	848C003100	CASE ASSY, ENGINE	1						
34	2850-21260	• VALVE	1						
35	2841-31410	• SEAL	1						
36	848C0031R0	• TAPE, CASE	1						
37	2877-31800	CAP, GRAY	1						
38	2841-31820	• GASKET	1						
39	848C0031E2	COVER, CASE	1						
40	848C0031D2	COVER, TOP	1						
41	2630-31950	SCREW	1	T4x16-CS					
42	8488141200	BOLT TORX	1	M4x12-T27					
43	8488151400	SCREW	1	M5x14-T27					
44	848C0031M1	GASKET	1						
45	848C3066F2	CATCHER	1						
46	848C0131C0	COVER, FRONT	1						

Fig. 2 Oil feed, Clutch, Ignition

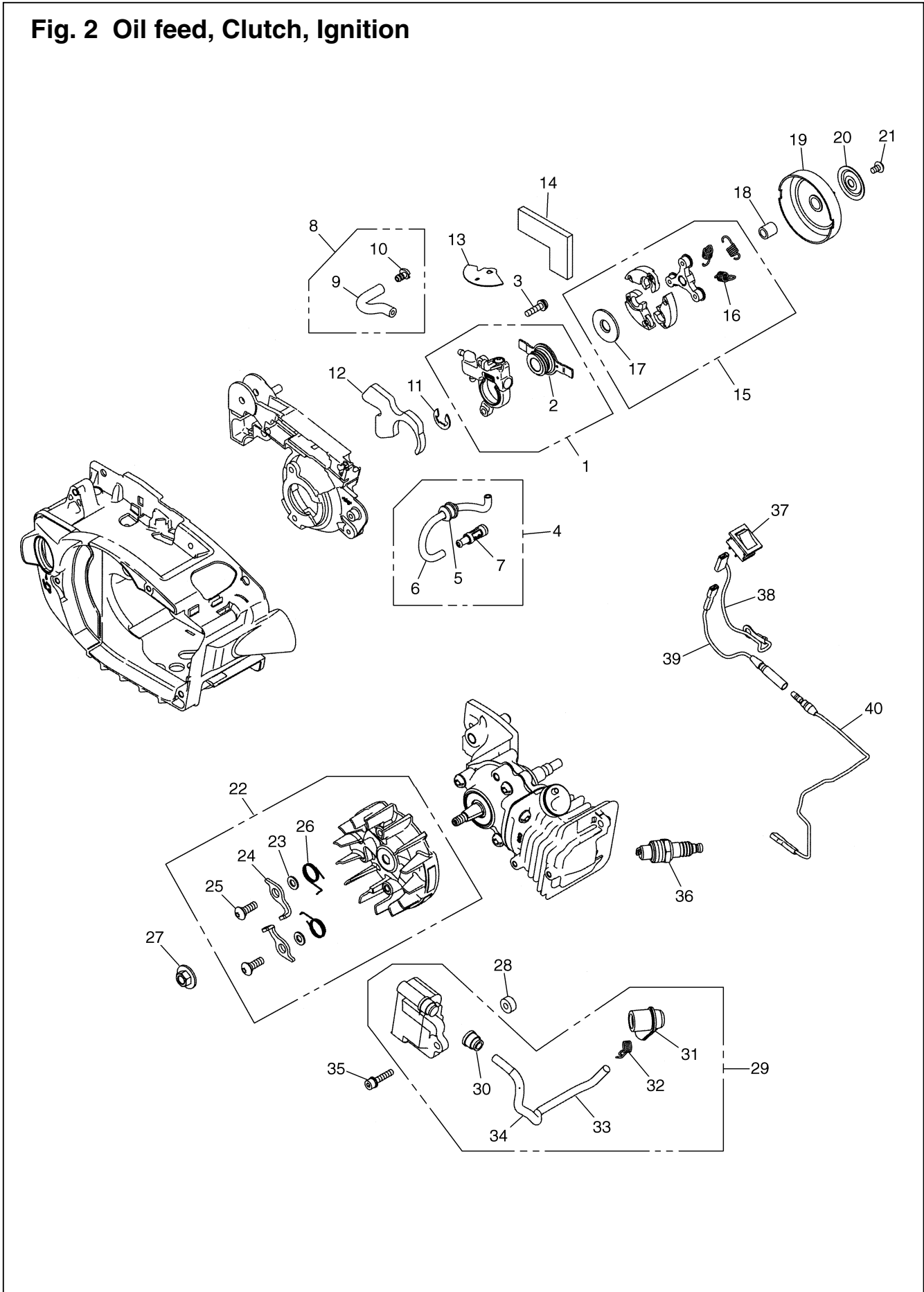


Fig. 2 Oil feed, Clutch, Ignition

Key#	PART NUMBER	DESCRIPTION	Q'TY /UNIT	NOTE	Key#	PART NUMBER	DESCRIPTION	Q'TY /UNIT	NOTE
1	848C006700	OIL PUMP ASSY	1						
2	848C006751	• WORM	1						
3	0263-30416	SCREW	2	M4x16-CS/PS					
4	848C006730	PIPE COMP., IN	1						
5	848C0067K0	• GROMMET	1						
6	8488G21190	• PIPE	1						
7	848C006740	• FILTER ASSY	1						
8	848C006720	PIPE COMP., OUT	1						
9	8488G30550	• PIPE	1						
10	3370-31210	• PIN	1						
11	8488T50800	E-RING	1						
12	848C0067Z0	SEAL	1						
13	848C0067C0	COVER	1						
14	848C0067Y0	SEAL	1						
15	848C005121	CLUTCH	1						
16	848C0051E1	• SPRING	3						
17	848C0051G0	• PLATE	1						
18	8488860900	BEARING	1						
19	848C005112	DRUM, CLUTCH	1	1/4P-8T					
20	848C0051H0	WASHER	1						
21	8488440600	SCREW	1	M4x6-T20					
22	848C007110	ROTOR ASSY	1						
23	2850-71151	• WASHER	2						
24	848C1471R1	• PAWL	2						
25	8488151200	• SCREW	2	M5x12-T27-NL					
26	848C1471S0	• SPRING	2						
27	2750-32620	NUT	1	M6-H10					
28	5500-72150	SPACER	2						
29	848C007130	COIL COMP.	1						
30	2616-71320	• CAP	1						
31	T2070-72210	• CAP	1						
32	848F0871G0	• SPRING	1						
33	848C0071D0	• CORD	1						
34	8488M40030	• TUBE	1						
35	3350-14150	BOLT	2	M4x20-HS/PS					
36	3699-91667	SPARKPLUG	1	NGK CMR7A					
37	2850-74102	SWITCH	1						
38	8488M10530	CORD	1	L125					
39	8488M10470	CORD	1	L100					
40	8488M10520	CORD	1	L248					

Fig. 3 Starter, Brake, Chain cover

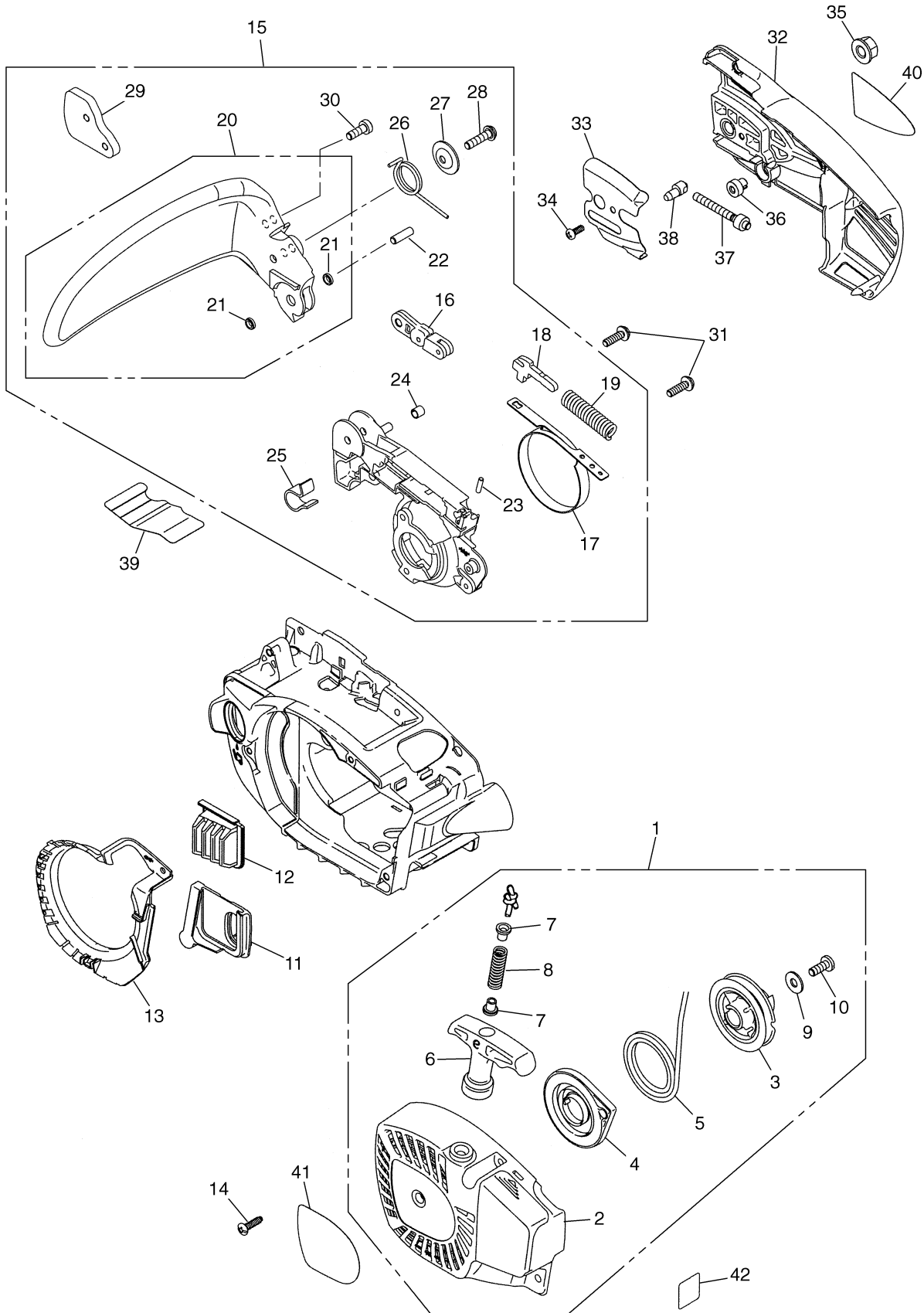


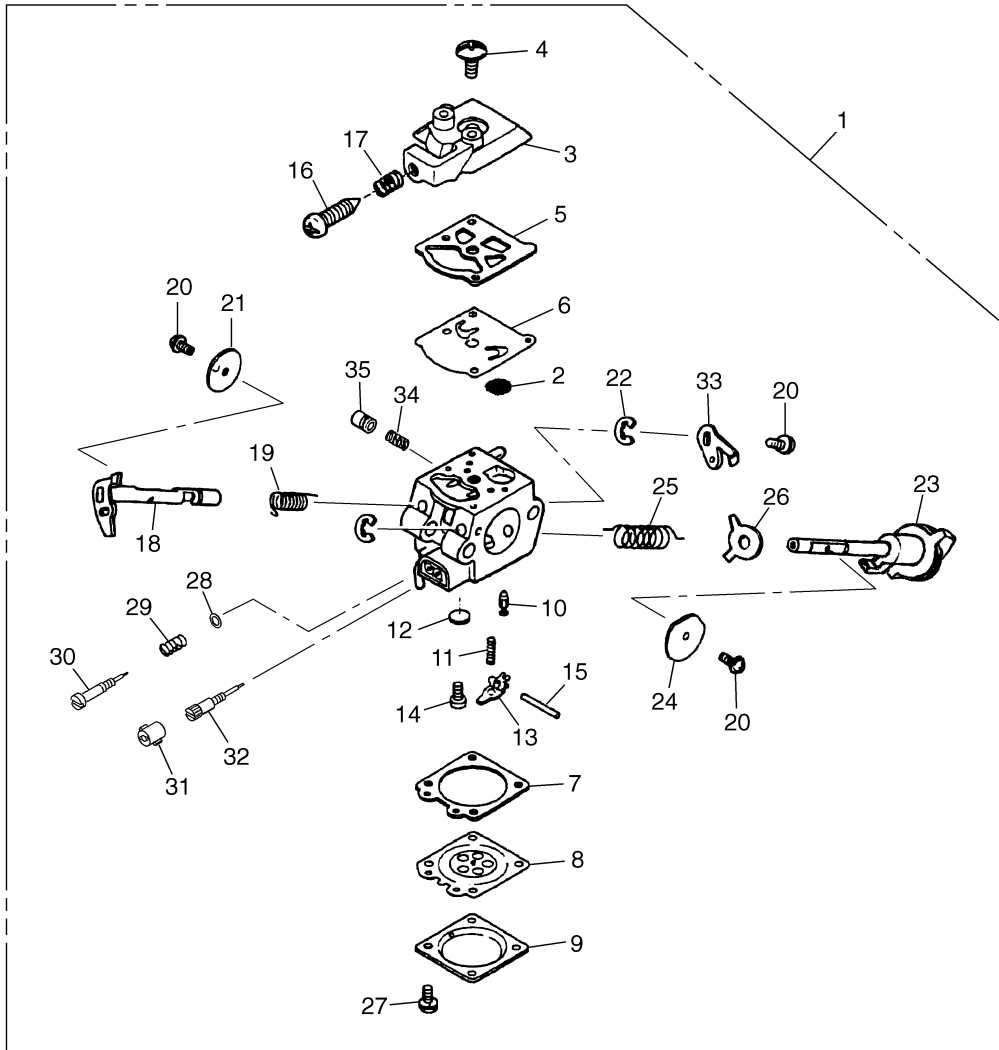
Fig. 3 Starter, Brake, Chain cover

Key#	PART NUMBER	DESCRIPTION	Q'TY /UNIT	NOTE	Key#	PART NUMBER	DESCRIPTION	Q'TY /UNIT	NOTE
1	848C007590	STARTER ASSY	1						
2	848C007511	• CASE COMP.	1						
3	2841-75210	• REEL	1						
4	2841-75300	• SPRING	1						
5	1850-75160	• ROPE	1						
6	T2041-75420	• KNOB	1						
7	T2041-75431	• COLLAR	2						
8	T2041-75440	• SPRING-A	1						
9	1140-51230	• WASHER	1						
10	2630-75510	• SCREW	1	T5x14-CS					
11	848C0083M1	COVER, CLEANER	1						
12	848C008300	CLEANER	1						
13	848C0074A2	COVER, FAN	1						
14	2630-31950	SCREW	2	T4x16-CS					
15	848C035400	BRAKE COMP.	1						
16	848C005431	• LEVER COMP.	1						
17	848C0054L1	• BAND	1						
18	2670-54411	• ARM	1						
19	8488D86000	• SPRING	1						
20	848C015410	• GUARD COMP.	1						
21	8488Y52100	•• SPACER	2						
22	8488B51700	• PIN	1						
23	8488B31200	• PIN	1						
24	8488Y56000	• SPACER	1						
25	848C0054D3	• SPRING	1						
26	848C0054J0	• SPRING	1						
27	848C0054N0	• WASHER	1						
28	8488152010	• BOLT	1	M5x20-T27					
29	848C0154B1	• WEIGHT	1						
30	8488151400	• SCREW	1						
31	8488251601	SCREW	2	T5x16-T27					
32	848C005303	COVER, CHAIN	1						
33	848C0166C0	PLATE	1						
34	1600-33130	SCREW	1	T4x10-CS					
35	3350-53410	NUT	1	M8xH13					
36	848C0166M1	GEAR	1						
37	2841-53240	SCREW	1						
38	2810-53221	NUT	1						
39	848C0190F0	LABEL, CAUTION	1						
40	848C0090B1	LABEL, COVER	1						
41	848C0090C1	LABEL, RECOIL	1						
42	T2990-21100	LABEL, NOISE LEVEL	1						

Fig. 4 Handles, Fuel line

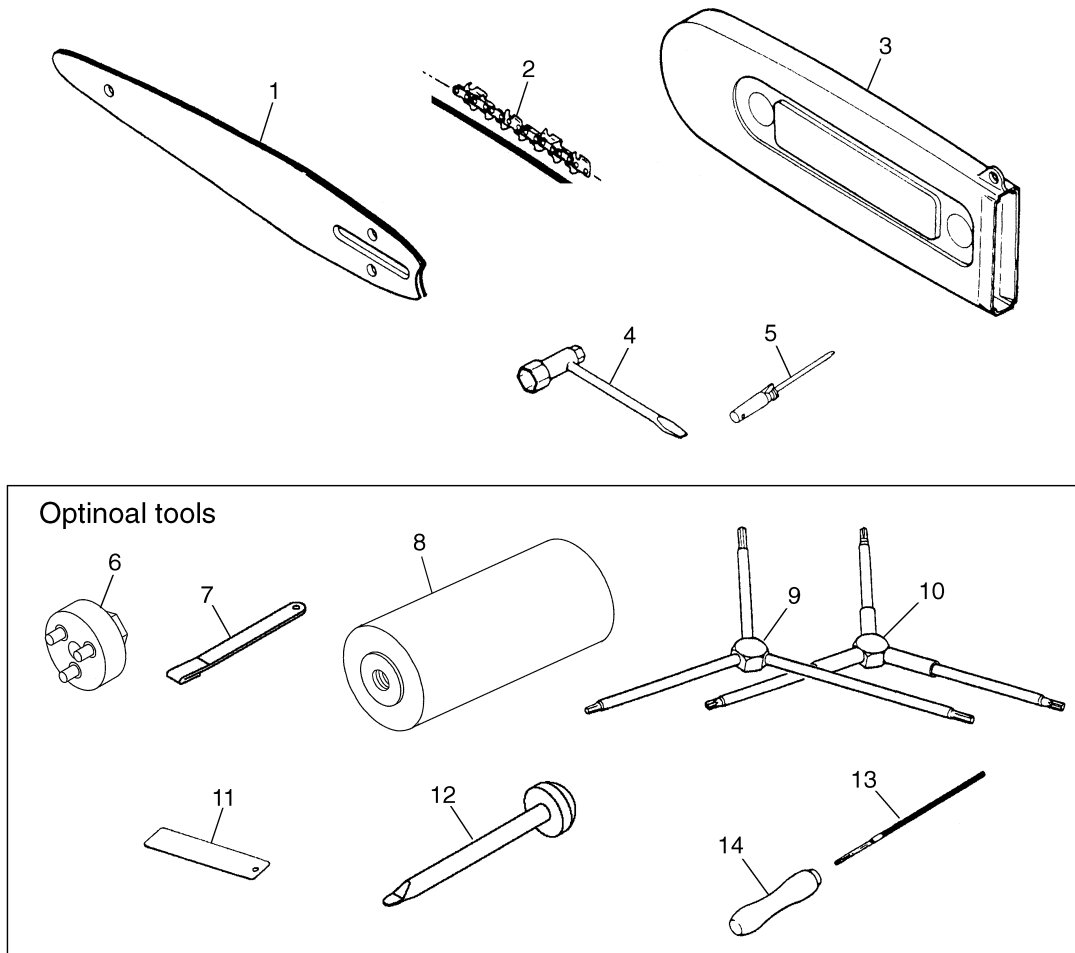
Key#	PART NUMBER	DESCRIPTION	Q'TY /UNIT	NOTE	Key#	PART NUMBER	DESCRIPTION	Q'TY /UNIT	NOTE
1	848C023300	R-HANDLE ASSY	1						
2	848C003311	• R-HANDLE COMP.	1						
3	848C0033F1	• SPRING	1						
4	848C0033E1	• LEVER, SAFETY	1						
5	848C0033C3	• LEVER	1						
6	848C0033N1	• LINK	1						
7	848C0033P0	• ROD	1						
8	848C0082H0	• ROD	1						
9	8488B42400	• PIN	1						
10	848C0033L2	• COVER, HANDLE	1						
11	2630-31950	• SCREW	2	T4x16-CS					
12	848C0033D0	• SPRING	1						
13	848C0037D0	• WIRE	1						
14	8488704000	• WASHER	1						
15	2630-31950	• SCREW	1	T4x16-CS					
16	848C0132A0	HANDLE	1						
17	8488251901	SCREW	2	T5x19-T27-NL					
18	848C108512	CAP, Black	1						
19	2841-31820	• GASKET	1						
20	848C008590	PIPE ASSY	1						
21	848C0085P0	• GROMMET	1						
22	8488G11350	• PIPE	1	2.5x4.5x60					
23	2841-31280	• COLLAR	1						
24	1850-85300	• FILTER	1						
25	2850-34501	• BREATHER	1						
26	8488G10450	PIPE	1	2.5x4.5x45					
27	8488G10600	PIPE	1	2.5x4.5x60					
28	848C0081H0	BRACKET	1						
29	2850-81900	PUMP	1						
30	848C0037A1	SPRING	1						
31	848C0037B1	SPRING	1						
32	848C0037C0	SPRING	1						
33	8488251901	SCREW	2	T5x19-T27-NL					
34	2841-35120	BOLT	1						
35	8488152010	BOLT	1	M5x20-T27					
36	848C0033W0	PLATE	1						
37	848C0033U1	HOOK	1						
38	8488251601	SCREW	1	T5x16-T27					

Fig. 5 Carburetor



Key#	PART NUMBER	DESCRIPTION	Q'TY /UNIT	NOTE	Key#	PART NUMBER	DESCRIPTION	Q'TY /UNIT	NOTE
1	848C018100	CARBURETOR ASSY	1	WT-855	19	2670-81410	• SPRING	1	
2	3306-81380	• SCREEN, INLET	1		20	2880-81470	• SCREW	3	
3	2850-81120	• COVER, PUMP	1		21	3310-81341	• VALVE, THROTTLE	1	
4	3310-81130	• SCREW	1		22	1148-81390	• RING, RETAINING	2	
5	3304-81140	• GASKET, PUMP	1		23	848C0080E0	• SHAFT, CHOKE	1	
6	3304-81150	• DIAPHRAGM, PUMP	1		24	2841-81451	• VALVE, CHOKE	1	
7	2850-81290	• GASKET, M.D.	1		25	848C8080D0	• SPRING	1	
8	3310-81260	• DIAPHRAGM ASSY, METERING	1		26	848C8089D0	• LEVER, FAST IDLE	1	
9	3310-81280	• COVER, M.D.	1		27	3310-81351	• SCREW ASSY	4	
10	3356-81310	• VALVE, INLET	1		28	848C5B80X0	• WASHER	1	
11	2841-81270	• SPRING	1		29	1491-81160	• SPRING	1	
12	1480-81420	• PLUG, WELCH	1		30	848C5B80G0	• NEEDLE, IDLE	1	
13	3310-81230	• LEVER, METERING	1		31	3415-81490	• CAP, LIMITER	1	
14	3310-81240	• SCREW	1		32	2812-81330	• NEEDLE, HIGH SPEED	1	
15	3310-81250	• PIN, M.L.	1		33	848C0081Z0	• LEVER, THROTTLE	1	
16	2630-81330	• SCREW, IDLE ADJ	1		34	2810-81530	• SPRING	1	
17	3350-81380	• SPRING	1		35	848C7180N0	• PISTON ASSY, ACCELERATOR	1	
18	848C0181T0	• SHAFT ASSY, THROTTLE	1						

Fig. 6 Guide bar, Saw chain, Service tools



Key#	PART NUMBER	DESCRIPTION	Q'TY /UNIT	NOTE	Key#	PART NUMBER	DESCRIPTION	Q'TY /UNIT	NOTE
1	848CB1X021	BAR 8CV, 8" carving	1						
2	2981-52210-50	SAW CHAIN	1	25AP-52E					
3	3622-52310	PROTECTOR	1						
4	8488U10010	WRENCH	1	13x16					
5	2670-91150	DRIVER	1						
6	848C0096A0	WRENCH, Clutch	1						
7	848C0096B0	STOPPER, Piston	1						
8	848C0096C0	GAUGE, Oil seal	1						
9	3304-97611	WRENCH	1	H4xH5xH6					
10	2850-96410	WRENCH	1	T20xT25xT27					
11	3350-96240	GAUGE, Air gap	1						
12	2670-96510	GUIDE, Brake spring	1						
13	3381-91510	FILE	1	ø4					
14	3381-91530	GRIP	1						