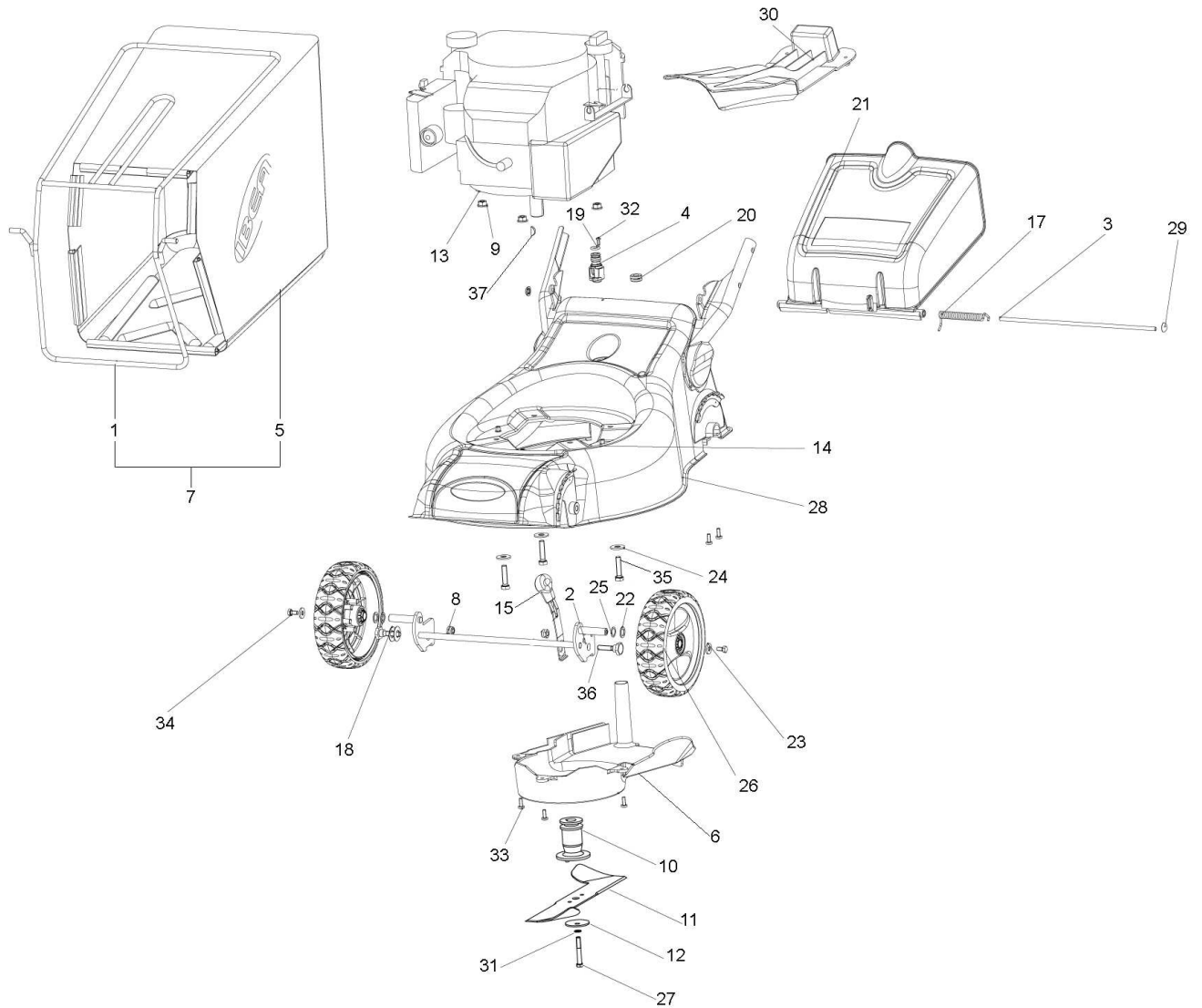


Drawing COMPLETE MACHINE



Drawing COMPLETE MACHINE

Reference	Qty	Item number	Description
1	1	P3060569VE	BAG FRAME
2	1	P3060527ZB	FRONT AXLE
3	1	P3100256ZB	ROD
4	1	P2020485	FITTING WASHOUT
5	1	P3160087	GRASSBAG
6	1	P2020576	BELT COVER
7	1	P3070022	GRASSBAG ASSY
8	2	P1050036	NUT
9	2	P1050011	NUT
9	1	P1050013	NUT
10	1	P3040309	BLADE BUSHING
11	1	P4050051VE	BLADE
12	1	1110002A1	BELLEVILLE WASHER
13	1	MOTORE	ENGINE
14	3	P1050057	BUSHING
15	1	P3060602	HEIGHT OF CUT ADJ. LEVER
17	1	P3020137ZB	SPRING
18	2	P1020083	SPRING
19	1	P3170041	O-RING
20	1	P5070021	FAIRLEAD
21	1	P2020544	SHIELD
22	2	P1020051	WASHER
23	2	1020007A1	WASHER
24	3	1020009A1	WASHER
25	2	P1020179	WASHER
26	2	P2080029	WHEEL
27	1	P1010050	SCREW
28	1	P4090034VE	MOWERDECK
29	2	P1060004	STARLOCK
30	1	P2020613	MULCHING PLUG
31	1	P1020067	WASHER
32	2	P1010231	SCREW
33	3	P1010330	SCREW
34	2	1010018A1	SCREW
35	2	P1010270	SCREW
35	1	P1010135	SCREW
36	2	P3040908ZB	SCREW
37	1	1090001A1	TAB