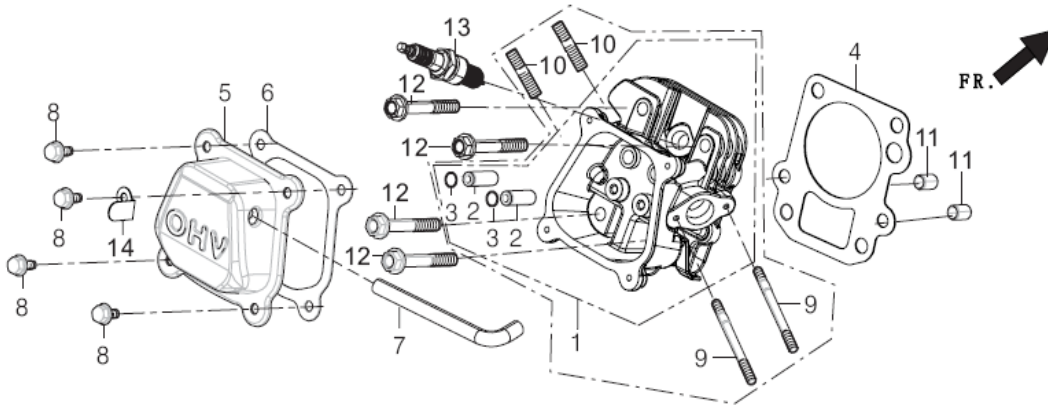


## Pubert engine R100 Part list

### Moteur Pubert R100 Pièces détachées

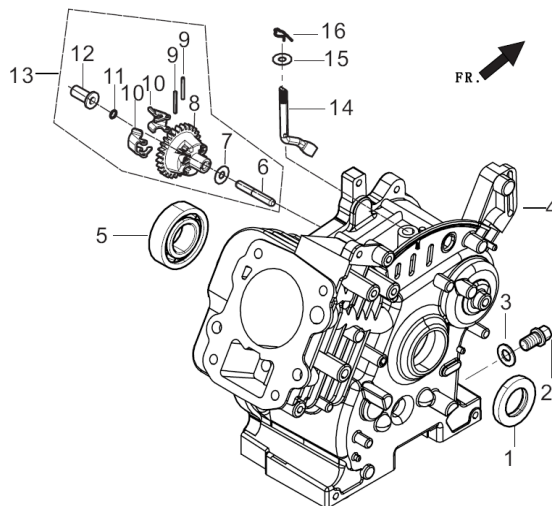
Ref part list :0330091002

**FIG.1 HEAD SUBASSEMBLY, CYLINDER / PLUG,SPARK (E04)**



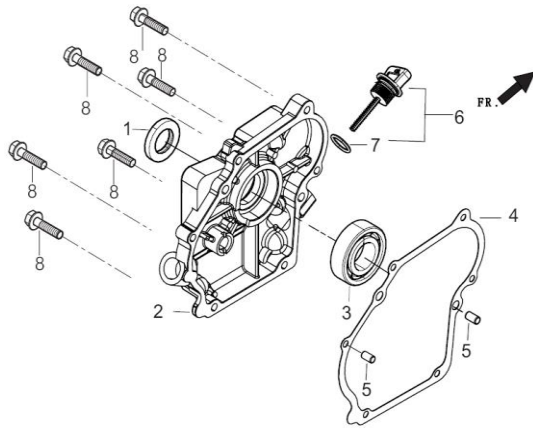
N°	Ref externe - External ref	PUBERT Reference	DESIGNATION - DESCRIPTION	QTY
E04-1	12140-Z510110-0000	<b>0001150103</b>	HEAD SUBASSEMBLY, CYLINDER	1
E04-4	12131-Z510110-0000	<b>0001150001</b>	GASKET, CYLINDER HEAD	1
E04-5	12410-Z300120-0000	<b>0001180001</b>	COVER SUBASSEMBLY, CYLINDER HEAD	1
E04-6	12004-Z010110-0000	<b>0001180002</b>	GASKET, CYLINDER HEAD COVER	1
E04-7	17004-Z510110-0000	<b>0001150034</b>	TUBE, BREATHER	1
E04-8	90001-0612-01	Not available-Pas disponible	BOLT	4
E04-9	90204-Z010210-0000		STUD	2
E04-10	90203-Z010110-0000		STUD	2
E04-11	90502-0814-00		PIN	2
E04-12	12003-Z510110-0000	Not available-Pas disponible	BOLT, CYLINDER HEAD	4
E04-13	30010-Z020210-0000	<b>0001000599</b>	PLUG, SPARK	1
E04-14	30006-Z510110-0000	<b>0001150100</b>	BLOCK,HIG TENSION LINE	1

**FIG.2 CRANKCASE. / GEAR ASSY, GOVERNOR. (E17)**



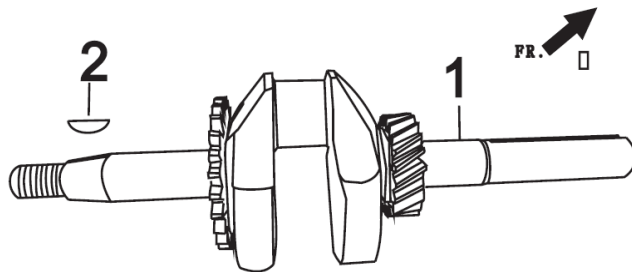
N°	Ref externe - External ref	PUBERT Reference	DESIGNATION - DESCRIPTION	QTY
E17-1	90682-Z510110-0000	<b>0001150004</b>	OIL-SEAL	1
E17-2	11007-Z010110-0000	<b>9501004145</b>	BOLT, DRAIN PLUG	1
E17-3	90408-Z010110-0000	Not available-Pas disponible	WASHER, FLAT	1
E17-4	11310-Z510110-0000	<b>0001210211</b>	CRANKCASE SUBASSEMBLY.	1
E17-5	90548-0203-NS	<b>0002010226</b>	BEARING	1
E17-13	16400-Z510110-0000		GEAR ASSY, GOVERNOR	1
E17-14	16061-Z510110-0000		ARM, GOVERNOR	1
E17-15	90575-0612-06		SPLIT	1
E17-16	90501-Z010110-0000		PIN	1

**FIG.3 COVER SUBASSEMBLY, CRANKCASE (E01)**



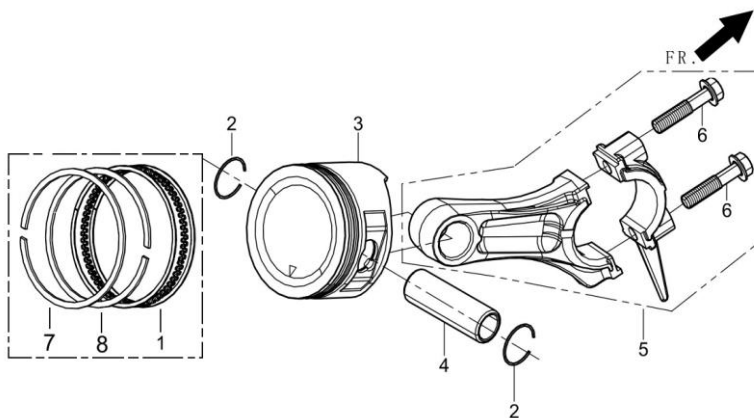
N°	Ref externe - External ref	PUBERT Reference	DESIGNATION - DESCRIPTION	QTY
E01-1	90682-Z510110-0000	0001150004	SEAL, OIL	1
E01-2	11411-Z510110-0000	0001210212	COVER, CRANKCASE	1
E01-3	90548-0303-NS	0002010213	BEARING	1
E01-4	11001-Z510110-0000	0001150006	GASKET, CRANKCASE	1
E01-5	90502-0812-00		PIN	2
E01-6	15010-Z510110-G400	0001200025	DIPSTICK SUBASSEMBLY, OIL	1
E01-8	90001-0625-01	Not available-Pas disponible	BOLT	6

**FIG.4 ROD,CRANKSHAFT CONNETING (E03)**



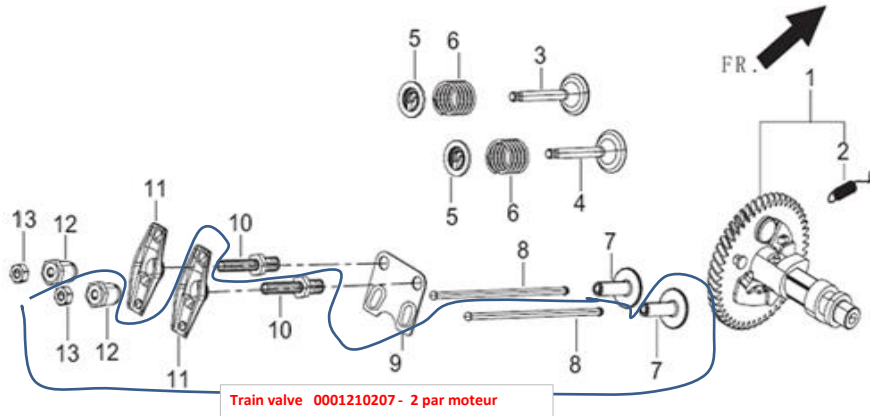
N°	Ref externe - External ref	PUBERT Reference	DESIGNATION - DESCRIPTION	QTY
E03-1	13300-Z510410-0000	0001150012	CRANKSHAFT ASSY.	1

**FIG.5 RING SET,OIL / ROD,CRANKSHAFT CONNETING (E03)**



N°	Ref externe - External ref	PUBERT Reference	DESIGNATION - DESCRIPTION	QTY
1+7+8	13210-Z510110-0000	0001210202	RING SET, OIL	1
E04-2	13122-Z510110-0000	0001150013	CLIP, PISTON PIN	2
E04-3	13111-Z510110-0000	0001210201	PISTON	1
E04-4	13121-Z510110-0000	0001150010	PIN, PISTON	1
E04-5	13010-Z510110-0000	0001150011	ROD, CONNECTING	1
E04-7	13201-Z510110-0000	Not available-Pas disponible	RING, THE FIRST	1
E04-8	13202-Z510110-0000	Not available-Pas disponible	RING, THE SECOND	1

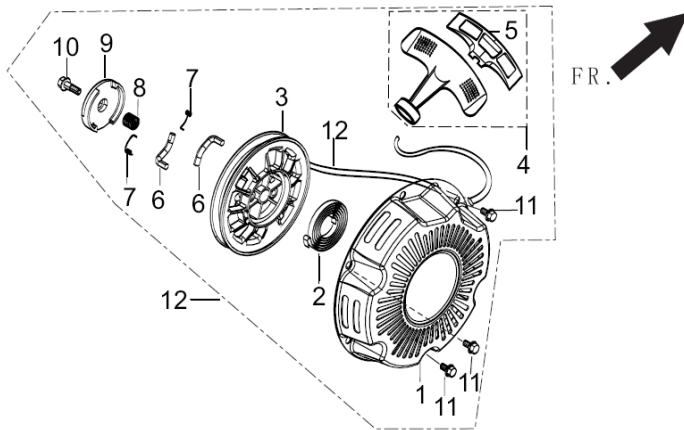
**FIG.6 TRAIN,VALVE / CAMSHAFT SUBASSEMBLY ( E05 )**



Train valve 0001210207 - 2 par moteur

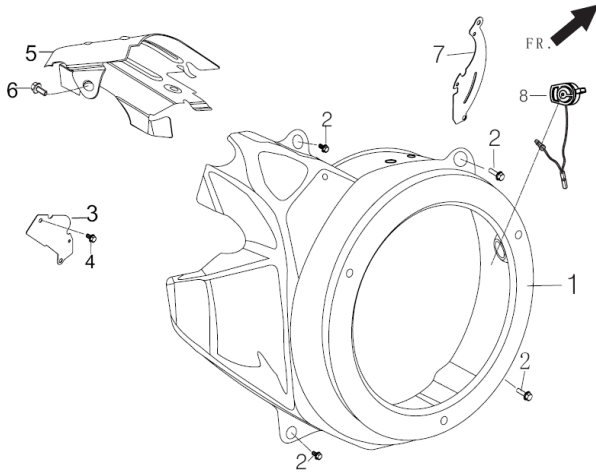
N°	Ref externe - External ref	PUBERT Reference	DESIGNATION - DESCRIPTION	QTY
E04-1	14200-Z510110-0000	0001150001	CAMSHAFT ASSY.	1
E04-3	12111-Z510110-0000	0001150115	VALVE, EXHAUST	1
E04-4	12121-Z510120-0000	0001150032	VALVE, INTAKE	1
E04-5	12112-Z300110-0000	0001090011	SEAT, VALVE SPRING	2
E04-6	12103-Z510110-0000	0001150117	SPRING, VALVE	2
E04-7	14081-Z510110-0000	0001150110	TAPPET, VALVE	2
E04-8	14070-Z510110-0000		LIFTER SUBASSEMBLY, VALVE	2
E04-9	14090-Z510110-0000	0001150108	PLATE SUBASSEMBLY, LIFTER STOPPER	1
E04-10	14313-Z510110-0000	0001210207	BOLT, VALVE ADJUSTING	2
E04-11	14311-Z510110-0000		ROCKER, VALVE	2
E04-12	14314-Z300110-0000		NUT, VALVE ADJUSTING	2
E04-13	14312-Z300110-0000		NUT, VALVE LOCK	2

**FIG.7 STARTER,RECOIL ( E08 )**



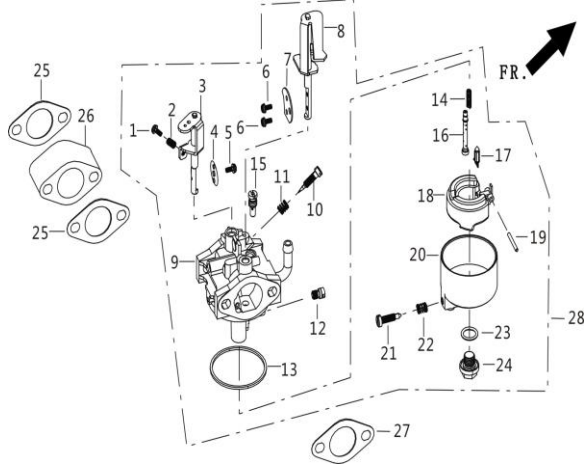
N°	Ref externe - External ref	PUBERT Reference	DESIGNATION - DESCRIPTION	QTY
E08-11	90001-0608-01	Not available-Pas disponible	BOLT	3
E08-12	28200-Z510110-H300	0001150015	STARTER ASSY, RECOIL	1

**FIG.8 SHROUD / SHIELD,LOWER ( E14 )**



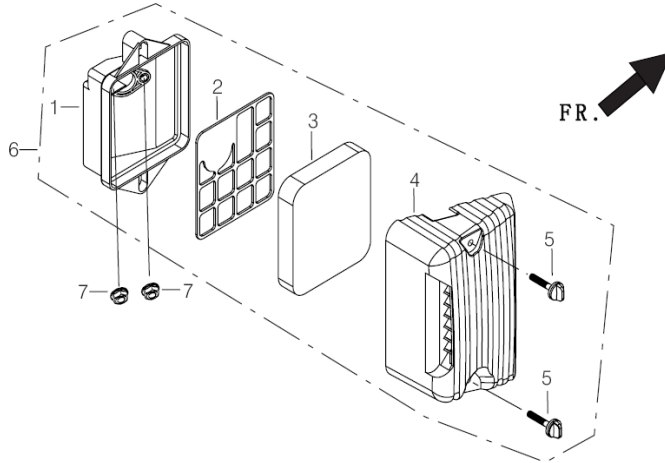
N°	Ref externe - External ref	PUBERT Reference	DESIGNATION - DESCRIPTION	QTY
E14-1	28110-Z510110-H300	<b>0001200070</b>	SHROUD	1
E14-2	90001-0612-03	Not available-Pas disponible	BOLT	4
E14-3	19306-Z510110-0000	<b>0001200072</b>	DEFLECTOR, CRANKCASE AIR	1
E14-4	90001-0616-01	Not available-Pas disponible	BOLT	1
E14-5	19304-Z510110-0000	<b>0001210208</b>	SHROUD, CYLINDER BODY	1
E14-6	90001-0610-01	Not available-Pas disponible	BOLT	1
E14-7	30028-Z510110-0000	<b>0001150118</b>	SHIELD, SHROUD	1

**FIG.9 CARBURETOR ASSY. ( E11 )**



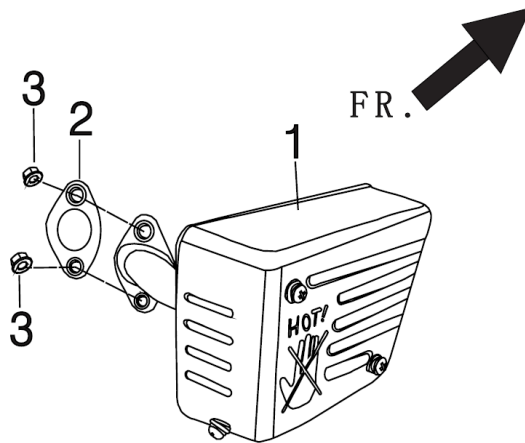
N°	Ref externe - External ref	PUBERT Reference	DESIGNATION - DESCRIPTION	QTY
E11-25	16001-Z510110-0000	<b>0001150018</b>	GASKET, CARBURETOR	2
E11-26	16003-Z510110-0000	<b>0001150019</b>	PLATE, CARBURETOR INSULATOR	1
E11-27	17001-Z510110-0000	<b>0001150018</b>	GASKET, AIR CLEANER	1
E11-28	16100-Z510110-0000	<b>0001150017</b>	CARBURETOR ASSY.	1

**FIG.10 CLEANER, AIR ( F02 )**



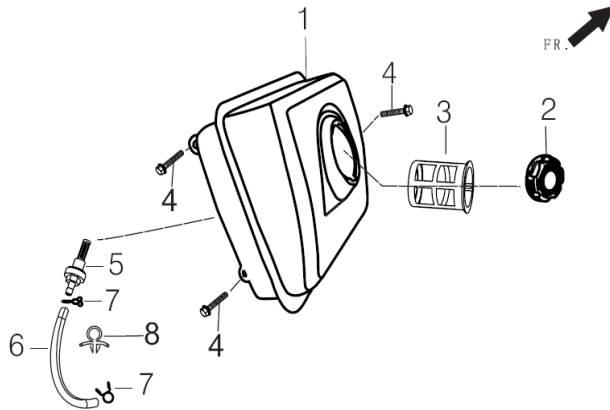
N°	Ref externe - External ref	PUBERT Reference	DESIGNATION - DESCRIPTION	QTY
E04-3	17151-Z510110-0000	<b>0001200052</b>	AIR CLEANER ELEMNET	1
E04-5	17113-Z510110-0000	<b>0001210203</b>	SCREW	2
E04-6	17100-Z510110-0000	<b>0001210200</b>	CLEANER, AIR	1
E04-7	90305-0600-31	Not available-Pas disponible	NUT	2

**FIG.11 MUFFLER ASSY. ( F04 )**



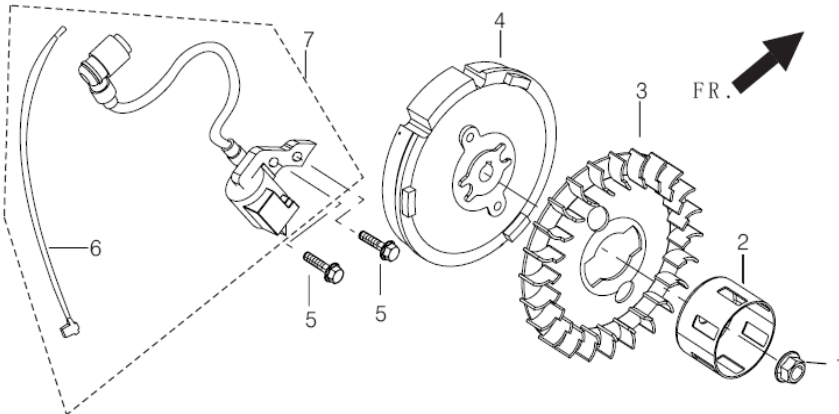
N°	Ref externe - External ref	PUBERT Reference	DESIGNATION - DESCRIPTION	QTY
F04-1	18100-Z510110-0000	<b>0001210204</b>	MUFFLER ASSY.	1
F04-2	18001-Z510110-0000	<b>0001200085</b>	GASKET, EXHAUST OUTLET	1
F04-3	90303-0800-30	Not available-Pas disponible	NUT	1
F04-4		<b>0330092002</b>	EXHAUST GRILL	1

**FIG.12 TANK ASSY, FUEL ( F01 )**



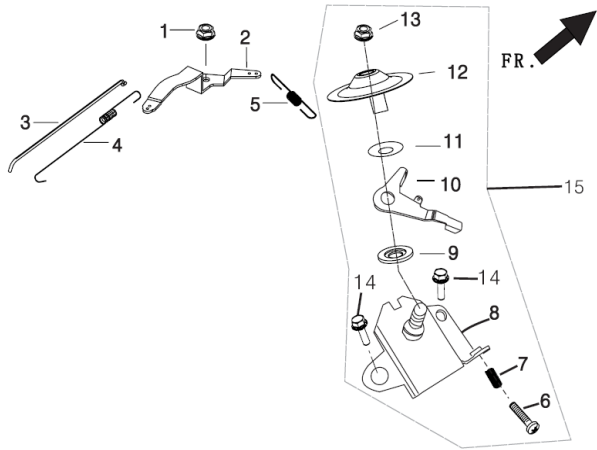
N°	Ref externe - External ref	PUBERT Reference	DESIGNATION - DESCRIPTION	QTY
F01-1	16620-Z510110-H300	0001150031	TANK, FUEL	1
F01-2	16730-Z300110-0000	0001180037	COVER, FUEL TANK	1
F01-3	16652-Z010110-0000	0001180039	STRAINER, FUEL	1
F01-4	90001-0632-01	Not available-Pas disponible	BOLT	3
F01-5	16680-Z010110-0000	0001180036	OUTLET SUBASSEMBLY, FUEL TANK OIL	1
F01-6	90686-Z510110-0000	0001150114	TUBE, FUEL	1
F01-7	90740-Z010210-0000	0001020018	COLLAR D8	2
F01-8	90684-Z080110-0000		CLIP	1

**FIG.13 FLYWHEEL / IMPELLER / STARTER PULLEY / IGNITION COIL ( E15 )**



N°	Ref externe - External ref	PUBERT Reference	DESIGNATION - DESCRIPTION	QTY
E15-1	13501-Z510110-0000	0300251203	NUT, FLYWHEEL M12 x 125	1
E15-2	28002-Z510110-0000	0001150033	PULLEY, STARTER	1
E15-3	19352-Z510110-0000	0001200043	IMPELLER	1
E15-4	13510-Z510110-0000	0001200041	FLYWHEEL SUBASSEMBLY	1
E15-5	90001-0620-01	Not available-Pas disponible	BOLT	2
E15-7	30400-Z510110-0000	0001150020	COIL, IGNITION	1

**FIG.14 CONTROL ASSY, THROTTLE ( E13 )**



N°	Ref externe - External ref	PUBERT Reference	DESIGNATION - DESCRIPTION	QTY
E13-1	90305-0600-31	Not available-Pas disponible	NUT	1
E13-2	16070-Z510110-0000	Not available-Pas disponible	SUPPORT SUBASSEMBLY, GOVERNOR	1
E13-3	16062-Z510110-0000	<b>0001200066</b>	ROD, GOVERNEOR	1
E13-4	16063-Z510210-0000	<b>0001210205</b>	SPRING, GOVERNOR	1
E13-5	16012-Z510110-0000	<b>0001150022</b>	SPRING, THROTTLE VALVE RETURNING	1
E13-14	90001-0608-01	Not available-Pas disponible	BOLT	2
E13-15	16520-Z510110-0000	<b>0001210209</b>	CONTROL ASSY, THROTTLE	1